

from 01.06.2019

2019



B Classic 17

B Classic 22

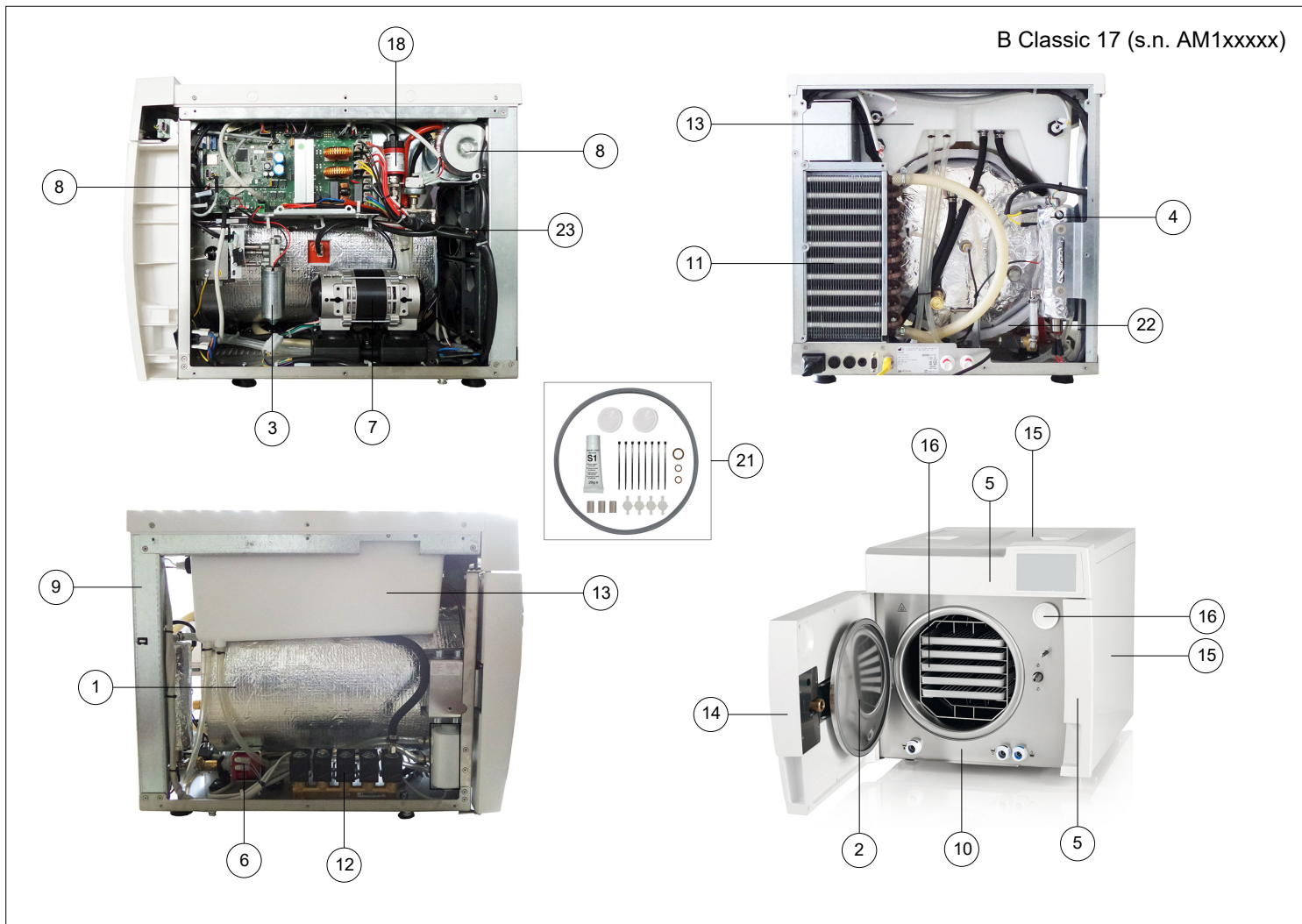
B Classic 28

S Classic 17

S Classic 22

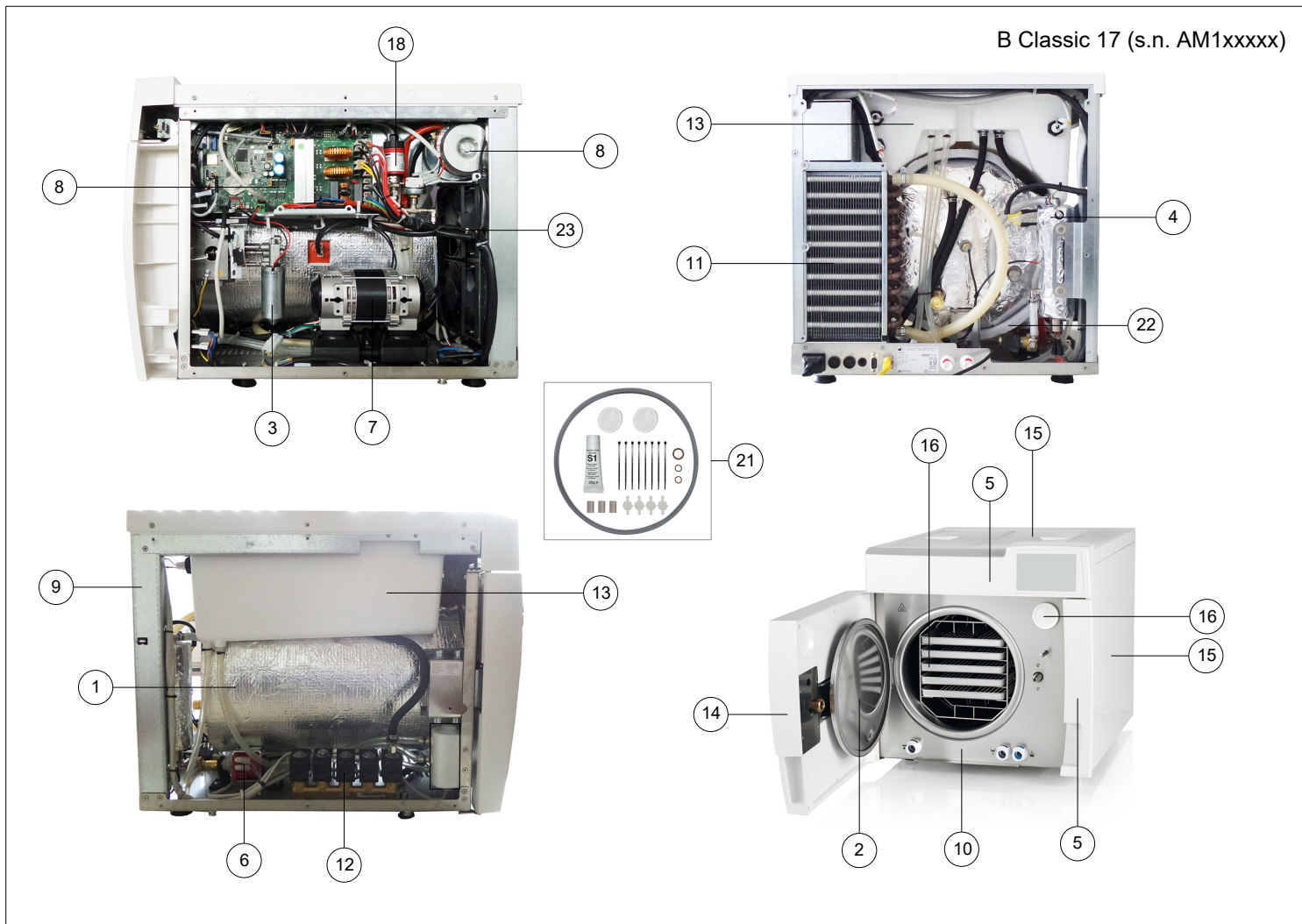
n. Code	Descrizione / Description	Description / Beschreibung	Descripción
1	B 17 Classic B 17 Classic	B 17 Classic B 17 Classic	B 17 Classic
2	B 22 Classic B 22 Classic	B 22 Classic B 22 Classic	B 22 Classic
3	B 28 Classic B 28 Classic	B 28 Classic B 28 Classic	B 28 Classic
4	S 17 Classic S 17 Classic	S 17 Classic S 17 Classic	S 17 Classic
5	S 22 Classic S 22 Classic	S 22 Classic S 22 Classic	S 22 Classic

B Classic 17 (s.n. AM1xxxxx)

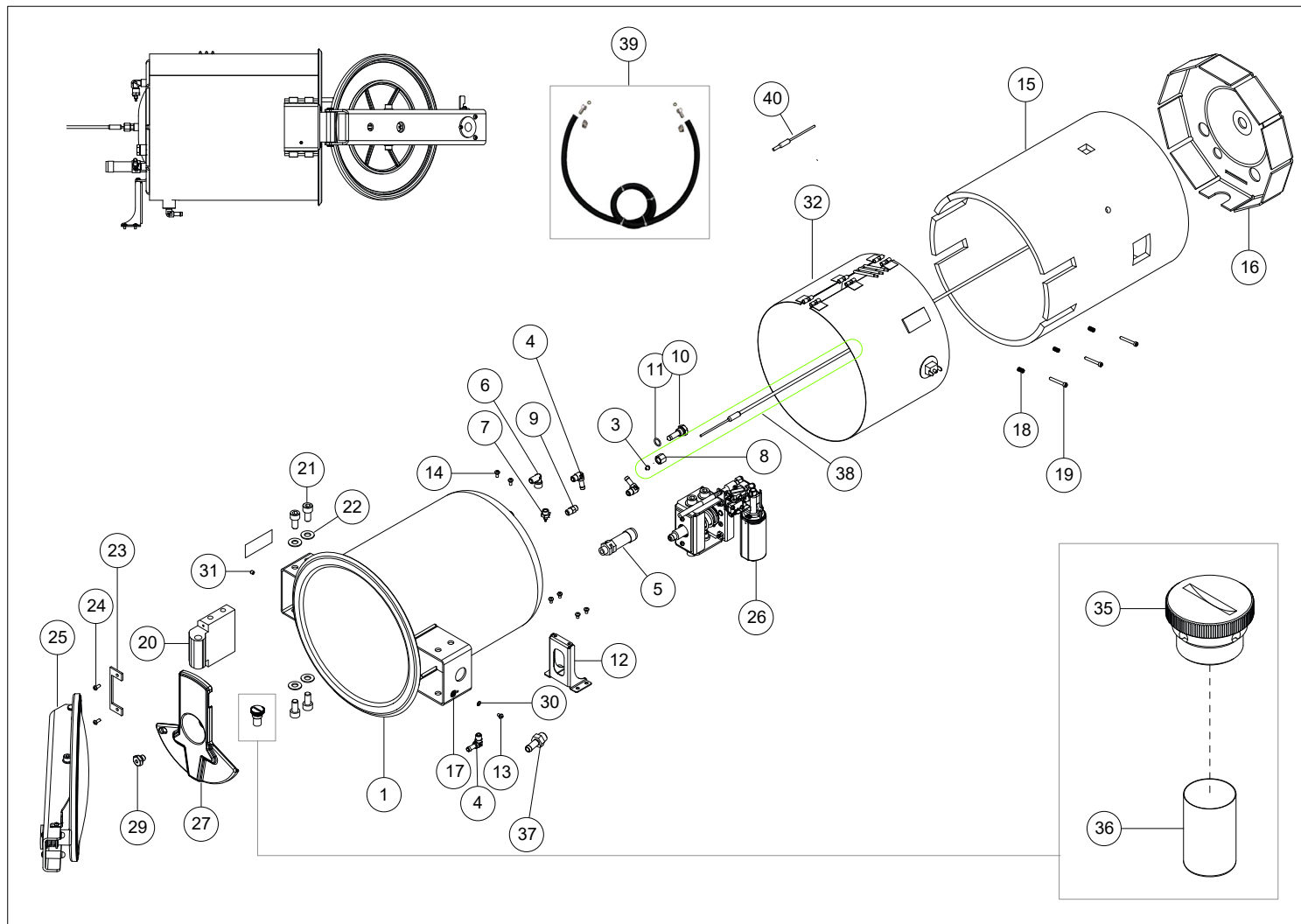


n. Code	Descrizione / Description	Description / Beschreibung	Descripción
1	Assieme caldaia 17lt Boiler assembly 17 l	Ensemble chaudière 17 l Aggregat Kessel 17 l	Conjunto caldera 17lt
2	Assieme oblò 17lt / 22lt Port assembly 17 l / 22 l	Ensemble hublot 17 l / 22 l Tür-Aggregat 17 l / 22 l	Conjunto ventana 17lt / 22lt
3	Assieme sistema di chiusura Locking system assembly	Ensemble système de fermeture Aggregat Verriegelungssystem	Conjunto sistema de cierre
4	Assieme generatore di vapore 230V 230V Steam generator assembly	Ensemble générateur de vapeur 230V 230V Dampfgenerator-Aggregat	Conjunto generador de vapor 230V
5	Fascia laterale / cornice frontale / display Classic Side panel / front frame / Classic display	Bande latérale / cadre frontal / afficheur Classic Seitliche Verkleidung / Rahmen vorne / Display Classic	Banda lateral / marco frontal / pantalla Classic
6	Assieme pompa a vibrazione (generatore di vapore) Vibration pump assembly (steam generator)	Ensemble pompe à vibrations (générateur de vapeur) Vibrationspumpen-Aggregat (Dampfgenerator)	Conjunto bomba de vibración (generador de vapor)
7	Assieme pompa a vuoto HX10P3 Vacuum pump assembly HX10P3	Ensemble pompe à vide HX10P3 Vakuumpumpen-Aggregat HX10P3	Conjunto bomba de vacío HX10P3
8	Assieme scheda Board assembly	Ensemble carte Aggregat Platine	Conjunto tarjeta
9	Traverse e portale Crosspieces and frame	Traverses et portail Querträger und Rahmen	Travesaños y portal
10	Chassis varie Chassis, various components	Châssis divers Chassis, verschiedene Teile	Chasis varias
11	Scambiatore di calore Heat exchanger	Échangeur de chaleur Wärmeaustauscher	Intercambiador de calor
12	Assieme manifold Manifold assembly	Ensemble manifold Manifold-Aggregat	Conjunto manifold
13	Assieme serbatoio carico / scarico Filling/drain tank assembly	Ensemble réservoir de chargement / vidange Aggregat Befülltank / Ablassstank	Conjunto depósito de carga / descarga
14	Assieme sportello Mocom Mocom Door assembly	Ensemble trappe Mocom Aggregat Mocom Türklappe	Conjunto puerta Mocom

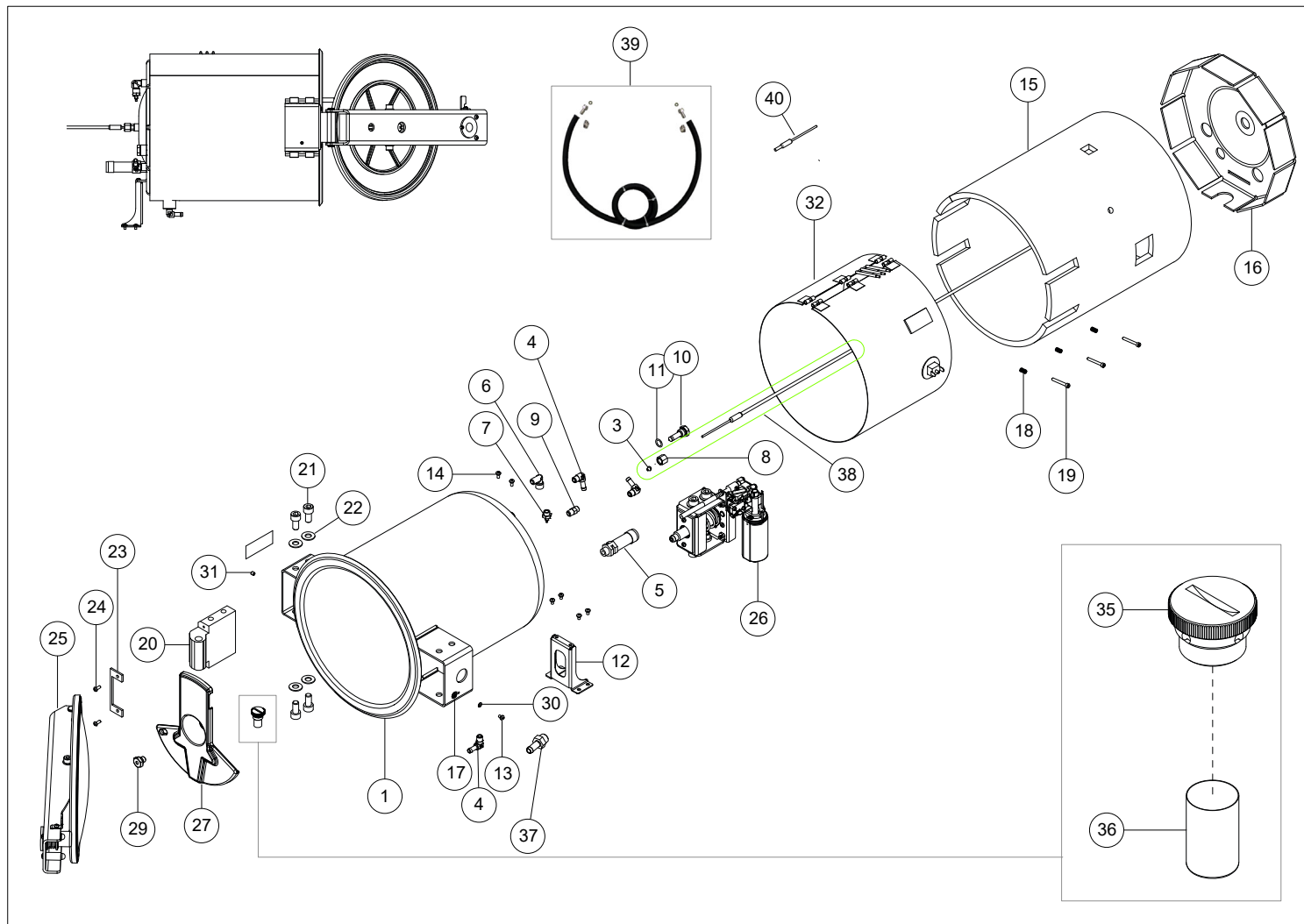
B Classic 17 (s.n. AM1xxxxx)



n. Code	Descrizione / Description	Description / Beschreibung	Descripción
15	Coperture Covers	Couvertures Abdeckungen	Coberturas
16	Dotazione (Classic) Equipment (Classic)	Dotation (Classic) Ausstattung (Classic)	Equipamiento (Classic)
18	Assieme trasduttore e pressostato Transducer and pressure switch assembly	Ensemble transducteur et pressostat Einheit Geber und Druckwächter	Conjunto transductor y presostato
21 <b>95509167</b>	KIT MANUTENZ. ANNUALE 17/22 LT ANNUAL MAINTENANCE KIT 17/22LT	KIT ENTRETIEN ANNUEL 17/22 LT KIT JÄHRLICHE WARTUNG17/22L	KIT MANTENIMIENTO ANUAL 17/22L
22	Tubazioni - Cablaggi Piping - Wiring	Tuyauteries - Cabalges Rohrleitungen - Kabel	Tuberías - Cableados
23	Cablaggi Wiring	Cabalges Kabel	Cableados

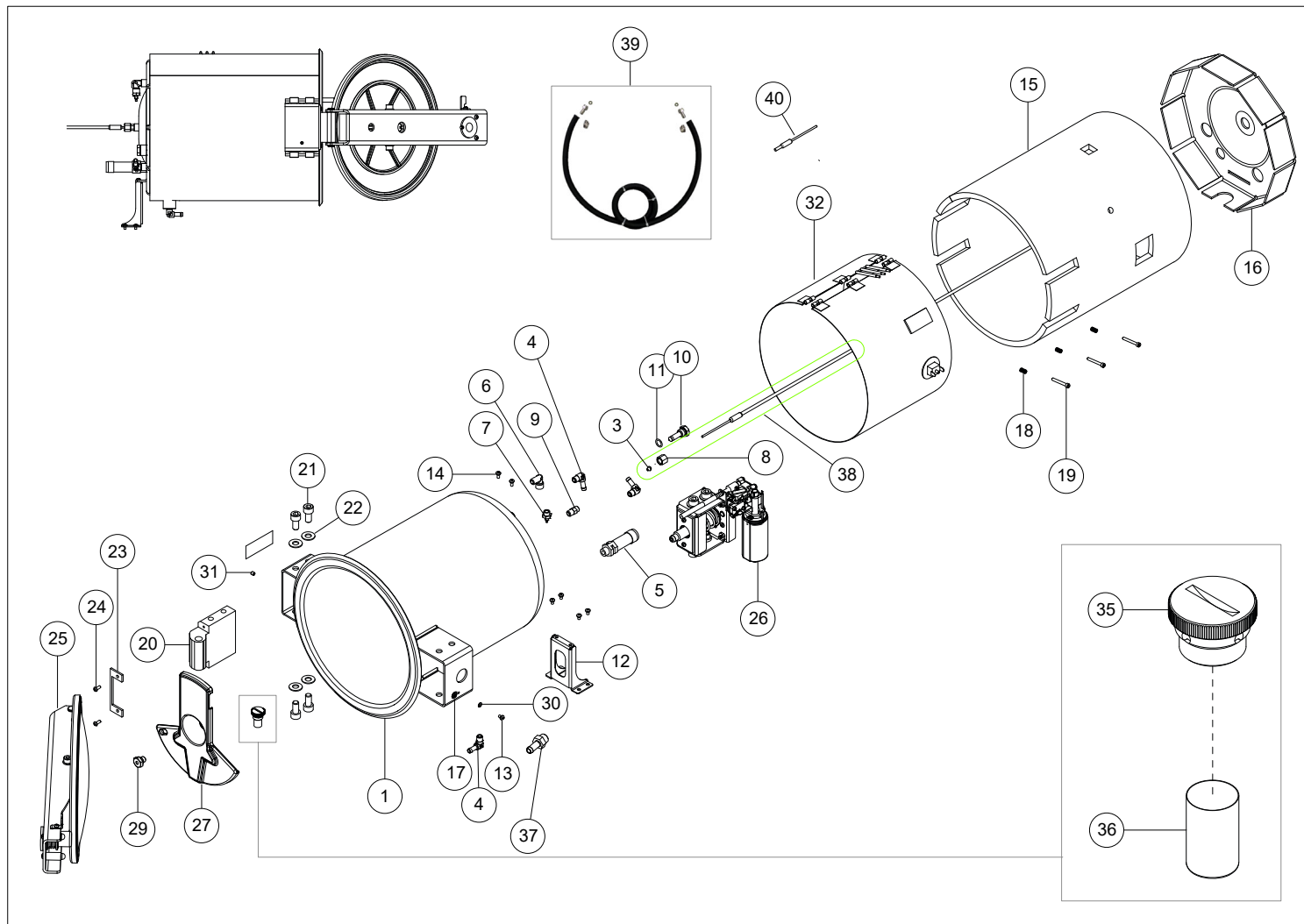


n. Code	Descrizione / Description	Description / Beschreibung	Descripción
1	99951885		
3	99950030 RACC SONDA PROBE FITTING	RACCORD SONDE SONDENANSCHLUSS	EMP SONDA
4	99950946 RACC. P.GOMMA ANG M G1/8 D7,9 M G1/8 D7.9 ANG HOSE CONNECTR	RACC.P.TUYAU COUDÉ M G1/8 D7,9 WINKELSCHL.ANSCHL. M G1/8 D7,9	CONEX PORTAG ANG M G1/8 D7,9
5	97290156 VALVOLA SIC.TUV 1/4" T2.4 BAR SAFETY VALVE 1/4-T 2.4 BAR"	CLAPET/SÛRETÉ 1/4-T 2.4 BAR" SICHERHEITSV. 1/4-T 2.4 BAR"	VALVULA SIC 1/4-T 2.4 BAR"
6	97960028 RACC ANG FM G1/8 ANG FITTING FM G1/8	RACC. ANG. FM G1/8 WINKEL-ANSCHLUSS FM G1/8	UNION ANG FM G1/8
7	97988600 RACC DIRITTO MASC.1/8 + RESCA STRAIGHT FITTING 1/8 MALE	RACCORD DROIT 1/8 MÂLE CANNELÉ GERADER ANSCHLUSS MÄNNL. 1/8 +	UNIÓN RECTA MACHO 1/8 + ESPIGA
8	99950028 DADO RACC SONDA 12X11.5 PROBE FITTING NUT 12X11.5	ÉCROU RACCORD SONDE 12X11.5 MUTTER F SONDENANSCHL 12X11.5	TUERCA EMP SONDA 12X11.5
9	99950031 RACC SONDA ESAG G1/8 G1/8 HEX PROBE FITTING G1/8 G1/8	RACC. SONDE HEXAG. G1/8 G1/8 SECHSKANTVER. SONDE G1/8	UNION SONDA ESAG G1/8 G1/8
10	99951447 RACC. TAPPO CON FERMO BRAKE CAP CONNECTOR	CONEC. BOUCH. AVEC ARRET ANSCHL. DECKEL MIT VERSCHLUSS	CONEX. TAPA CON TOPE
11	97360013 OR 1,78X11,11 VITON 75 SHA OR 1.78X11.11	JOINT TORIQUE 1,78X11,11 O-RING 1,78X11,11	OR 1,78X11,11
12	99950989 STAFFA SUPPORTO CALDAIA BOILER SUPPORT BRACKET	SUPPORT DE CHAUDIÈRE KESSEL-HILFS-KLAMMER	SOPORTE DE CALDERA
13	99950001 VITE T.CIL.CROCE ZIGR.SOTT.4X6 SOCKET HEAD SCREW M4X6 A2	VIS TC CRUCIFORME M4X6 A2 KR-SCHLITZSCHRAUBE ZK M4X6 A2	TORNILLO C/CIL CRUZ M4X6 A2
14	99950002 VITE T.CIL.CROCE ZIGR.SOTT.4X8 CROSSHEAD SCREW M4X8 A2	VIS TC CRUCIFORME M4X8 A2 KR-SCHLITZSCHRAUBE ZK M4X8 A2	TORNILLO C/CIL CRUZ M4X8 A2
15	99951020 PANNELLO TERMOISOL. 17 LT HEAT INSULATING PANEL 17LT	PANNEAU THERMO-ISOLANT 17LT WÄRME ISOLIERENDE PANEL 17LT	PANEL AISLANTE DE CALOR 17LT

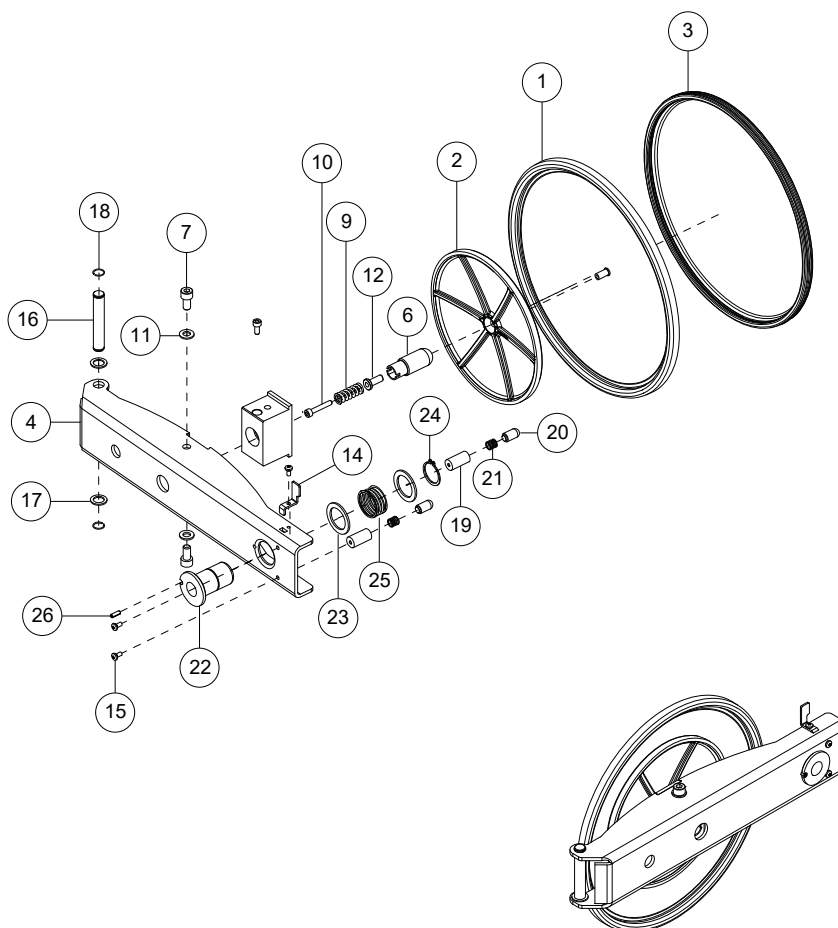


n. Code	Descrizione / Description	Description / Beschreibung	Descripción
16 99951021	PANNELLO TERMOIS.POST.17-22 REAR HEAT INSULATING PANEL 17-	ISOLANT THERMIQUE CONTRE-FEU 1 RÜCKSEITE WÄRME ISOLIEREND 17-	PANEL AISLANTE DE CALOR 17-22L
17 97780158	TARGA MASSA D=10MM FONDO GROUND PLATE D=10MM	PLAQUE MASSE D=10MM SCHILD ERDUNG	PLACA MASA
18 97815248	MOLLA C D7,3 DF 1 LF10 D7.3 DF 1 LF10 C SPRING	RESSORT C D7,3 DF 1 LF10 FEDER C D7,3 DF 1 LF10	MUELLE C D7,3 DF 1 LF10
19 FM111C440	VITE TCEI M4X40 ZINC TCEI SCREW M4X40 GALV	VIS TCHC M4X40 ZING SCHRAUBE TCEI M4X40 VERZ	TORNILLO TCEI M4X40 CINC
20 99951476	STAFFA FULCRO PIVOT BRACKET	ETRIER CENTRE ANSCHWENKBÜGEL	SOPORTE FULCRO
21 51232019	VITE TCEI M10X20 8.8 SCREW TCEI M10X20 8.8	VIS TCEI M10X20 8.8 SCHRAUBE TCEI M10X20 8.8	TORNILLO TCEI M10X20 8.8
22 53104124	NON FORNIBILE NOT AVAILABLE	NON DISPONIBILE A LA VENTE NICHT LIEFERBAR	NO SUMINISTRABLE
23 99951467	DISTANZIALE LATO CERNIERA HINGE SIDE SPACER	ENTRETOISE COTE CHARNIERE Distanzst. Scharnierseite	DISTANCIADOR LADO CREMALLERA
24 51262070	VITE T/BOMB EI M4X10 INOX T/BOMB SCREW EI M4X10 INOX	VIS T.BOMBÉE EI M4X10 INOX LINSKOPFSCHRAUBE EI M4X10 ED	TORNILLO C/ABOMB. EI M4X10 ACE
25 95530864	ASS GRUPPO CALDAIA 17-22 L ASS GRUPPO CALDAIA 17-22 L	ASS GRUPPO CALDAIA 17-22 L ASS GRUPPO CALDAIA 17-22 L	ASS GRUPPO CALDAIA 17-22 L
26	<a href="#">Assieme sistema di chiusura</a> <a href="#">Locking system assembly</a>	<a href="#">Ensemble système de fermeture</a> <a href="#">Aggregat Verriegelungssystem</a>	<a href="#">Conjunto sistema de cierre</a>
27 97467185	COPERTURA CONNETTORI CONNECTORS COVER	COUVERTURE CONNECTEURS ABDECKUNG STECKVERBINDER	COBERTURA CONECTORES
29 99951446	DADO FISS. DIFFUSORE DIFFUSER FIXING NUT	VIS FISS. DIFFUSEUR BEF.MUTTER STREUSCHEIBE	TORN. FIJ. DIFUSOR
30 53135028	ROND DENT EST D 4 Z.D.BIANCA INDENT.WASHER EST D 4 Z.D.WHIT	RONDELLE DENTELÉE EXT D 4 G.D. ZAHNSCHEIBE AUSS. D 4 Z.D.WEIS	ARAND. DENT. EXT. D 4 C.D. BLA

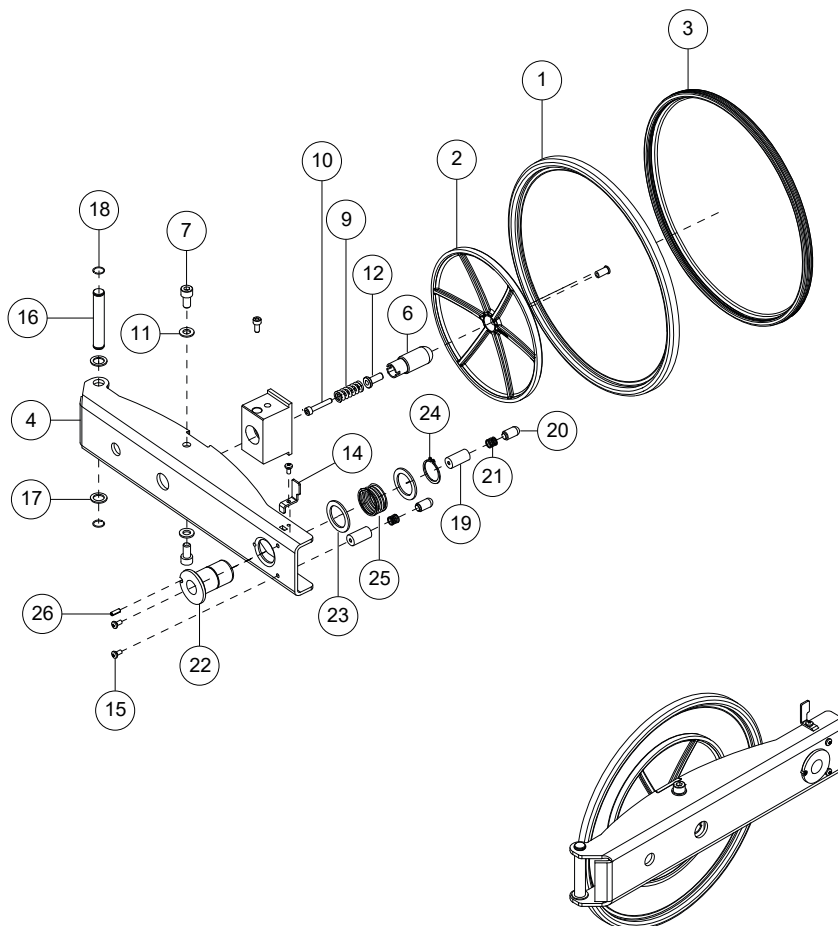




n. Code	Descrizione / Description	Description / Beschreibung	Descripción
31 51272004	GRANO EI M5X6 PI 12.9 GRUB SCREW EI M5X6 PI 12.9	VIS. EI M5X6 PI 12.9 GEWINDESTIFT EI M5X6 PI 12.9	TORN. EI M5X6 PI 12.9
32 97650042	ETCHED FOIL 17LT 115+115V ETCHED FOIL RESISTOR 17LT 115	ETCHED FOIL RÉSISTANCE 17LT 11 ETCHED FOIL WIDERSTAND 17LT 11	ETCHED FOIL RESISTENCIA 17LT 1
35 99950987	RACC PORTAFILTRO CON INTAGL FILTER CARRIER COUPL W/CUTTING	RACC.PORTE-FILTRE AVEC CRÉNEAU ANSCHL. FILTERHALTER MIT NUT	CONEX PORTAFILTRO CON CORTE
36 97290210	FILTRO ASS SERBATOIO TANK WATER FILTER	FILTRE EAU RÉSERVOIR FILTER FÜR WASSER BEHÄLTER	FILTRO AGUA DEPÓSITO
37 99950948	RACC. P.GOMMA DIR M G1/8 D7,9 M G1/8 D7.9 STR HOSE CONNECTR	RACC.P.-TUYAU DR.M G1/8 D7,9 GER. SCHL.ANSCHL. M G1/8 D7,9	CONEX PORTAG RECT M G1/8 D7,9
38 95509175	KIT RICAMBIO PT1000 PT100 SPAREPART KIT	KIT RECHANGE PT1000 ERSATZKIT PT100	KIT RECAMBIO PT1000
39 95509245	COLL. CALDAIA_MPX TUBO TELATO REINF. HOSE MPX_BOILER CONN.	COLL. CHAUD_MPX TUYAU BACHÉ BUND KESSEL_MPX SCHL M. GEWEB.	COL. CALDERA_MPX TUBO DE LIENZ
40 97668171	SONDA PT1000 D.4X50 (PT3) PT1000 D.4X50 (PT3) PROBE	SONDE PT1000 D.4X50 (PT3) PROBE PT1000 D.4X50 (PT3)	SONDA PT1000 D.4X50 (PT3)

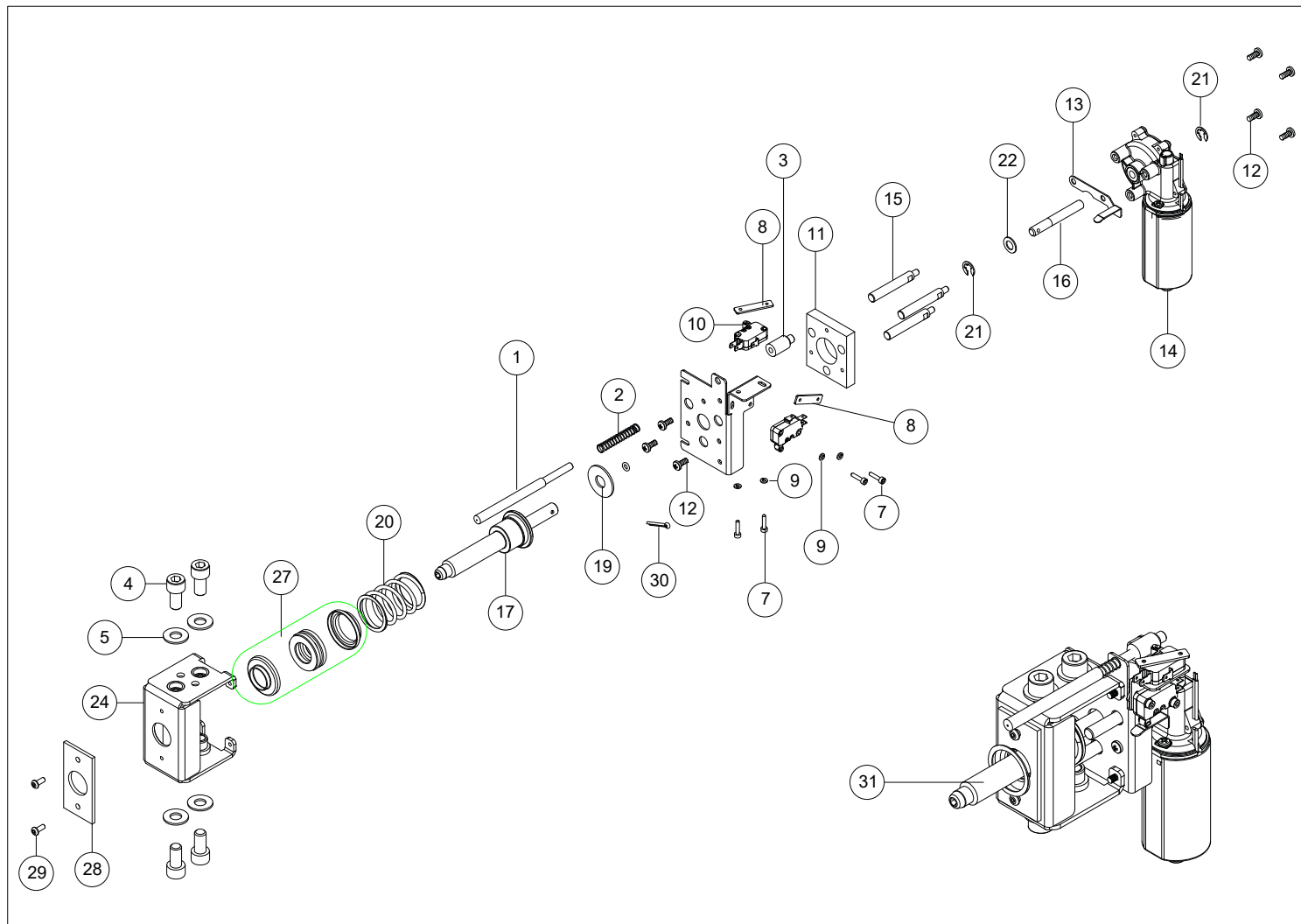


n. Code	Descrizione / Description	Description / Beschreibung	Descripción
1 99951894	PORTHOLE 17-22L PORTHOLE 17-22L	PORTE 17-22L PORTHOLE 17-22L	PUERTA 17-22L
2 99951523	FLANGIA FLANGIA	FLANGIA FLANGIA	FLANGIA
3 97400145	GUARNIZCALDAIA 40/HT-S BOILER GASKET 40/HT-S	JOINT CHAUDIERE 40/HT-S KESSEL DICHTUNG 40/HT-S	JUNTA CALDERA 40/HT-S
4 99950982	TRAVERSA CHIUSURA A VITE CROSS SCREW BAR	TRAVERSER BARRE VISSÉE KREUZ SCHRAUBE BAR	CRUZ TORNILLO BARRA
6 99951219	INSERTO SFERICO SPHERICAL INSERT	INSERT SPHERIQUE KUGELEINSATZ	INSERTO ESFERICO
7 51232089	VITE TCEI M8X16 8.8 M8X16 8.8 TCEI SCREW	VIS TCEI M8X16 8.8 SCHRAUBE TCEI M8X16 8.8	TORNILLO TCEI M8X16 8.8
9 97815262	MOLLA PER OBLO' WINDOW SPRING	RESSORT SPHERE FENSTERFEDER	RESORTE PARA VENTANILLA
10 51232535	NON FORNIBILE NON FORNIBILE	NON FORNIBILE NON FORNIBILE	NON FORNIBILE
11 53104015	ROND D8.4X16 S1.6 R40 WASHER 8.4X17 S 1.6 R40	RONDELLE 8.4X17 S 1.6 R40 BEILEGSCHIEBE 8.4X17 S 1.6	ARAND. D8,4X16 S1,6 R40
12 99951221	BOCCOLA BOCCOLA	BOCCOLA BOCCOLA	BOCCOLA
14 99950984	ANGOLARE ANGULAR BRACKET	SUPPORT ANGULAIRE ECKIGE KLAMMER	SOPORTE ANGULAR
15 99950002	VITE T.CIL.CROCE ZIGR.SOTT.4X8 CROSSHEAD SCREW M4X8 A2	VIS TC CRUCIFORME M4X8 A2 KR-SCHLITZSCHRAUBE ZK M4X8 A2	TORNILLO C/CIL CRUZ M4X8 A2
16 99950986	PERNO CERNIERA HINGE PIN	AXE DE CHARNIÈRE KUPPLUNGSSTAB	PASADOR DE LA BISAGRA
17 53104137	RONDELLE D'APPOGGIO TIPO SS SUPPORT WASHERS TYPE SS	APPUI RONDELLES TYPE SS UNTERSTÜTZUNG WASCHMASCHINEN T	ARANDELAS DE APOYO TIPO SS

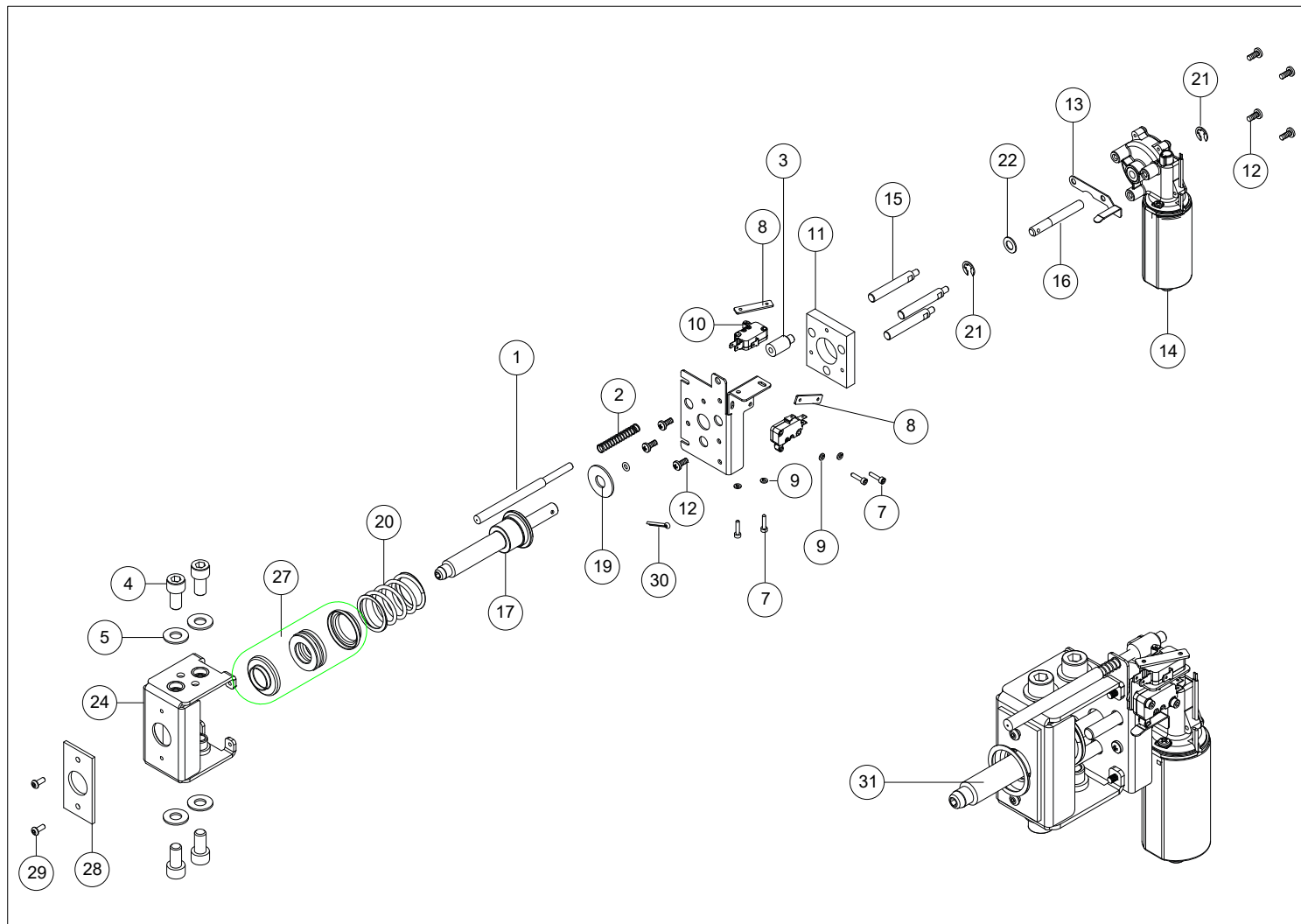


n. Code	Descrizione / Description	Description / Beschreibung	Descripción
18 97200197	ANELLO ARRESTO ALBERO D=12 STOPPING SHAFT RING D=12	ARRET ARBRE BAGUE D=12 STOPPING RING WELLE D=12	DETENER EL EJE DE ANILLO D=12
19 99951044	SUPPORTO SPINTORE SUPPORT PUSHER	POUSSOIR DE SOUTIEN UNTERSTÜTZUNG-SCHIEBER	EMPUJADOR DE APOYO
20 99951043	SPINTORE PUSHER	POUSSOIR SCHIEBER	EMPUJADOR
21 97815199	MOLLA GUIDA CINGHIA BELT GUIDE SPRING	CEINTURE GUIDE RESSORT GÜRTEL-GUIDE-FRÜHLING	CORREA GUÍA DE PRIMAVERA
22 99950963	BOCCOLA TR 16X3 BUSHING TR 16X3	BAGUE TR 16X3 STECKHÜLSE-TR 16X3	BUJE TR 16X3
23 53107027	ROSETTA DI 26.1 DE 36.8 SP 2 SPECIAL WASHER ROSETTE DESIGN	ROSETTE RONDELLE SPÉCIALE DESI SPEZIELLE WASCHMASCHINE ROSETT	ARANDELA ESPECIAL ROSETA DISEÑ
24 55121015	ANELLO SEEGER X ALB D 25 RING SEEGER X ALB D 25	ANNEAU SEEGER X ALB D 25 SEEGER-RING FÜR WELLE D 25	ANILLO SEEGER X ALB D 25
25 97815244	MOLLA BOCCOLA SPRING BUSHING	BAGUE PRINTEMPS FRÜHLING-BUSHING	BUJE DE RESORTE
26 54302017	SPINA TUB ELAS D 4X12 ELASTIC HOSE PLUG D 4X12	GOUP. TUBE ELAST. D 4X12 SCHLAUCHSTECKER D 4X12	PASADOR TUB. ELÁS. D 4X12

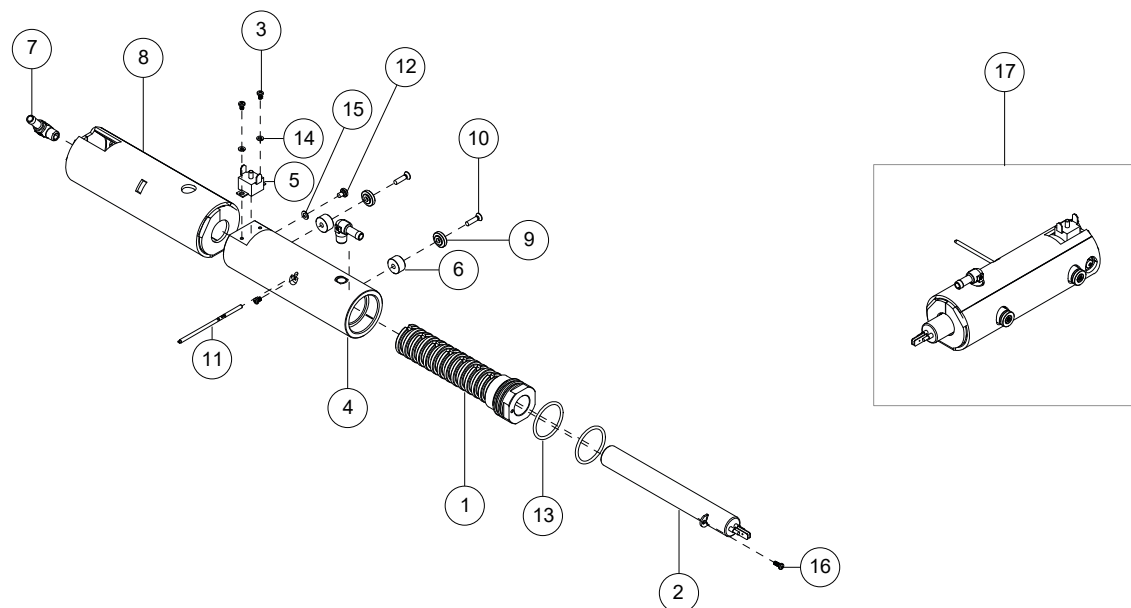




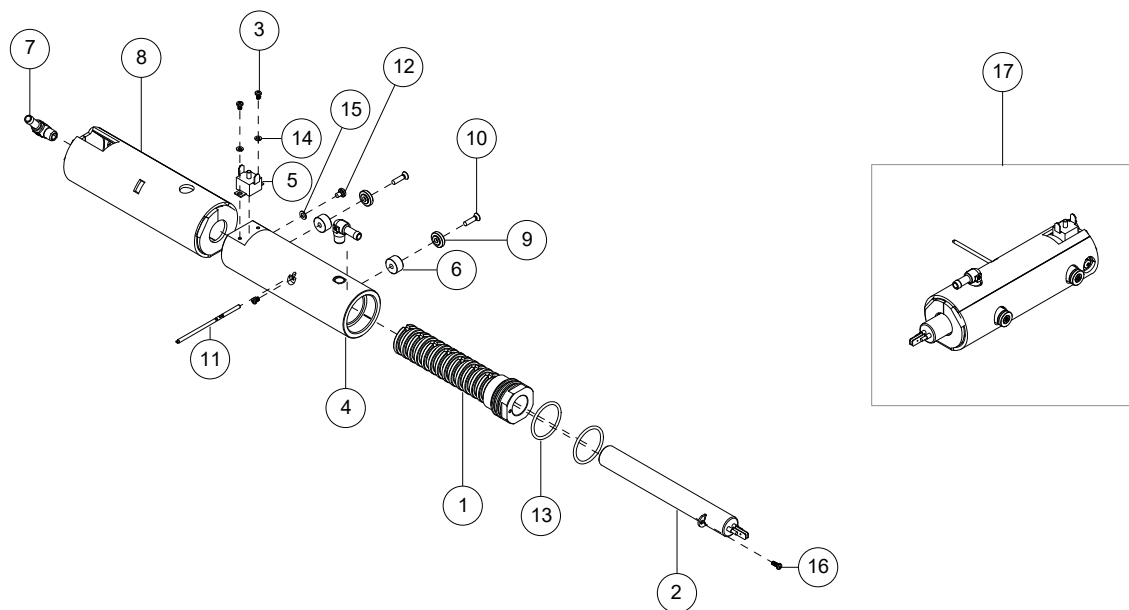
n. Code	Descrizione / Description	Description / Beschreibung	Descripción
1 99951400	PERNO MICRO PORTA PERNO MICRO PORTA	PERNO MICRO PORTA PERNO MICRO PORTA	PERNO MICRO PORTA
2 97815245	MOLLA MICRO MICRO SPRING	MICRO RESSORT MICRO-FRÜHLING	MICRO RESORTE
3 99951402	TESTINA TERMINALE PERNO AZION TESTINA TERMINALE PERNO AZION	TESTINA TERMINALE PERNO AZION TESTINA TERMINALE PERNO AZION	TESTINA TERMINALE PERNO AZION
4 51232019	VITE TCEI M10X20 8.8 SCREW TCEI M10X20 8.8	VIS TCEI M10X20 8.8 SCHRAUBE TCEI M10X20 8.8	TORNILLO TCEI M10X20 8.8
5 53104124	NON FORNIBILE NOT AVAILABLE	NON DISPONIBILE A LA VENDE NICHT LIEFERBAR	NO SUMINISTRABLE
6 99951547	LAMIERA SUPPORTO MICRO LAMIERA SUPPORTO MICRO	LAMIERA SUPPORTO MICRO LAMIERA SUPPORTO MICRO	LAMIERA SUPPORTO MICRO
7 51232130	VITE TCEI M3X14 8.8 M3X14 8.8 TCEI SCREW	VIS TCEI M3X14 8.8 SCHRAUBE TCEI M3X14 8.8	TORNILLO TCEI M3 X14 8.8
8 99951368	PIASTRINO RISC. MICRO MICRO HEATING PLATE	PLAQUE CHAUF. MICRO PLÄTTCHEN ERWÄRM. MIKRO	PLACA CALEF. MICRO
9 53113001	ROND ELAS GROWER X M3 ELAS GROWER WASHER X M3	RONDELLE ELAS GROWER X M3 BEILEGSCHIEBE ELAS GROWER X M3	ARANDELA ELAS GROWE X M3
10 97668137	MICROINTERRUTT.D3V-015-1C23 D3V-015-1C23 MICROSWITCH	MICROCONTACT D3V-015-1C23 MIKROSCHALTER D3V-015-1C23	MICROINTERRUPT D3V-015-1C23
11 99951401	PIASTRA MOTORIDUTTORE MOTOREDCER PLATE	MOTOREDCER PLATE MOTOREDCER PLATE	MOTOREDCER PLATE
12 51237028	VITE TC CROCE M4X10 4.8 M4X10 8.8 TC CROSS SCREW	VIS TC CROIX M4X10 8.8 M4X10 8.8 TC SCHRAUBE	TORNILLO TC CRUZ M4X10 8.8
13 99951548	LAMIERA ATTIVAZIONE MICRO LAMIERA ATTIVAZIONE MICRO	LAMIERA ATTIVAZIONE MICRO LAMIERA ATTIVAZIONE MICRO	LAMIERA ATTIVAZIONE MICRO
14 97217900	MOTORIDUTTORE GRUPPO CHIUSURA SEEFRID 634.019DCGM43T42 MOT	MOTEU.SEEFRID 634.019DCGM43T42 MOT. SEEFRID 634.019DCGM43T42	MOTOR SEEFRID 634.019DCGM43T42



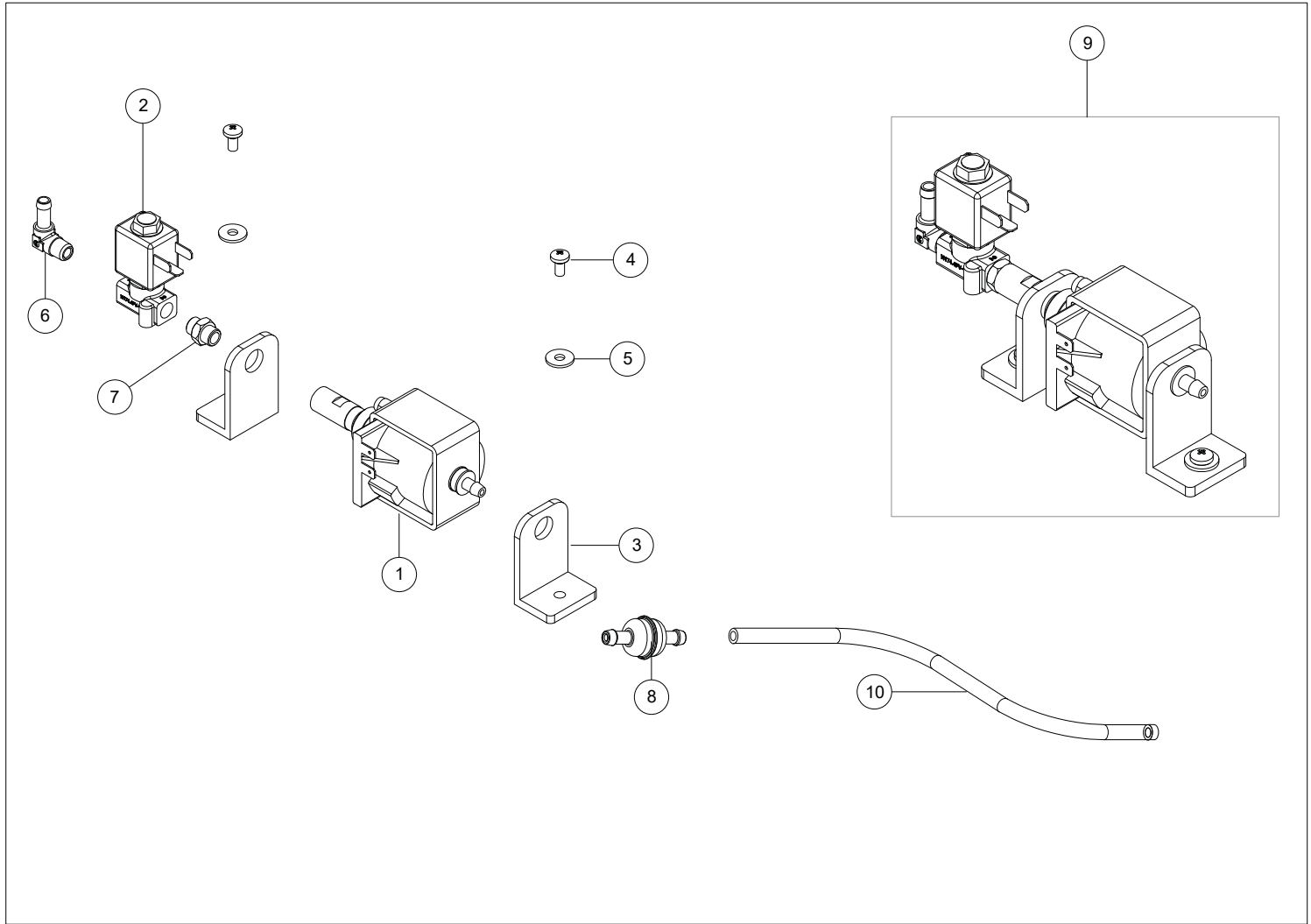
n. Code	Descrizione / Description	Description / Beschreibung	Descripción
15 99951398	GUIDA MOTORIDUTTORE MOTOREDCER GUIDE	GUIDE MOTOREDUCTEUR GETRIEBEMOTORENFUEHRUNG	GUIA MOTORREDUCTOR
16 99950975	ALBERO SCANALATO DIN 5481 SPLINED SHAFT DIN5481	ARBRE CANNELE' DIN5481 VERZAHNTE WELLE DIN5481	EJE ESTRIADO DIN5481
17 99951397	PERNO FILETTATO TR 16X3 16X3 TR THREADED PIN	PIVOT FILETAGE TR 16X3 GEWINDESTIFT TR 16X3	PERNO FILETE TR 16X3
19 99950966	ANELLO RING	ANNEAU RING	ANILLO
20 97815282	MOLLA SISTEMA DI AGGANCIO COUPLING SYSTEM SPRING	RESSORT SYSTEME D'ACCROCHAGE FEDER KUPPLUNGSSYSTEM	MUELLE SISTEMA DE ACOPLAMIENTO
21 55103004	ANELLO BENZIG RS7 RS7 BENZIG RING	ANNEAU BENZIG RS7 RS7 BENZIG RING	ANILLO BENZIN RS7
22 53113026	ROSETTA ELASTIC D=8 DIN137B ELASTIC WASHER D = 8 DIN137B	RONDELLE ÉLASTIQUE D = 8 DIN13 ELASTISCHE SCHEIBE D = 8 DIN13	ARANDELA ELÁSTICA D = 8 DIN137
23 97360800	OR 1,78x4,47 NBR 70 O RING 2018	JOINT OR 1,78X4,47 NBR 70 O-RING 2018	O ANILLO 2018
24 99951231	STAFFA SISTEMA CHIUSURA STAFFA SISTEMA CHIUSURA	STAFFA SISTEMA CHIUSURA STAFFA SISTEMA CHIUSURA	STAFFA SISTEMA CHIUSURA
27 95509151	ASSIEME RALLA SLEWING RING ASS.Y	GR.COURONNE D'ORIENTATION SCHEIBENGRUPPE	GR RANGUA
28 99951466	DISTANZIALE LATO CHIUSURA DISTANZIALE LATO CHIUSURA	DISTANZIALE LATO CHIUSURA DISTANZIALE LATO CHIUSURA	DISTANZIALE LATO CHIUSURA
29 51262070	VITE T/BOMB EI M4X10 INOX T/BOMB SCREW EI M4X10 INOX	VIS T.BOMBÉE EI M4X10 INOX LINSENKOPFSCHRAUBE EI M4X10 ED	TORNILLO C/ABOMB. EI M4X10 ACE
30 54601015	COPIGLIA INOX 3,2X20 3,2X20 INOX SPLIT PIN	GOUPILLE 3,2X20 INOX SPLINT EDELSTAHL 3,2X20	CHAVETA ACERO INOXIDABLE 3,2X2
31 95530817	ASS GRUPPO CHIUSURA A VITE SCREW CLOSING GROUP	GR. FERMETURE A VIS SCHRAUBENSCHLIESSGRUPPE	JUN.GR.CIERRE A TORNILLO



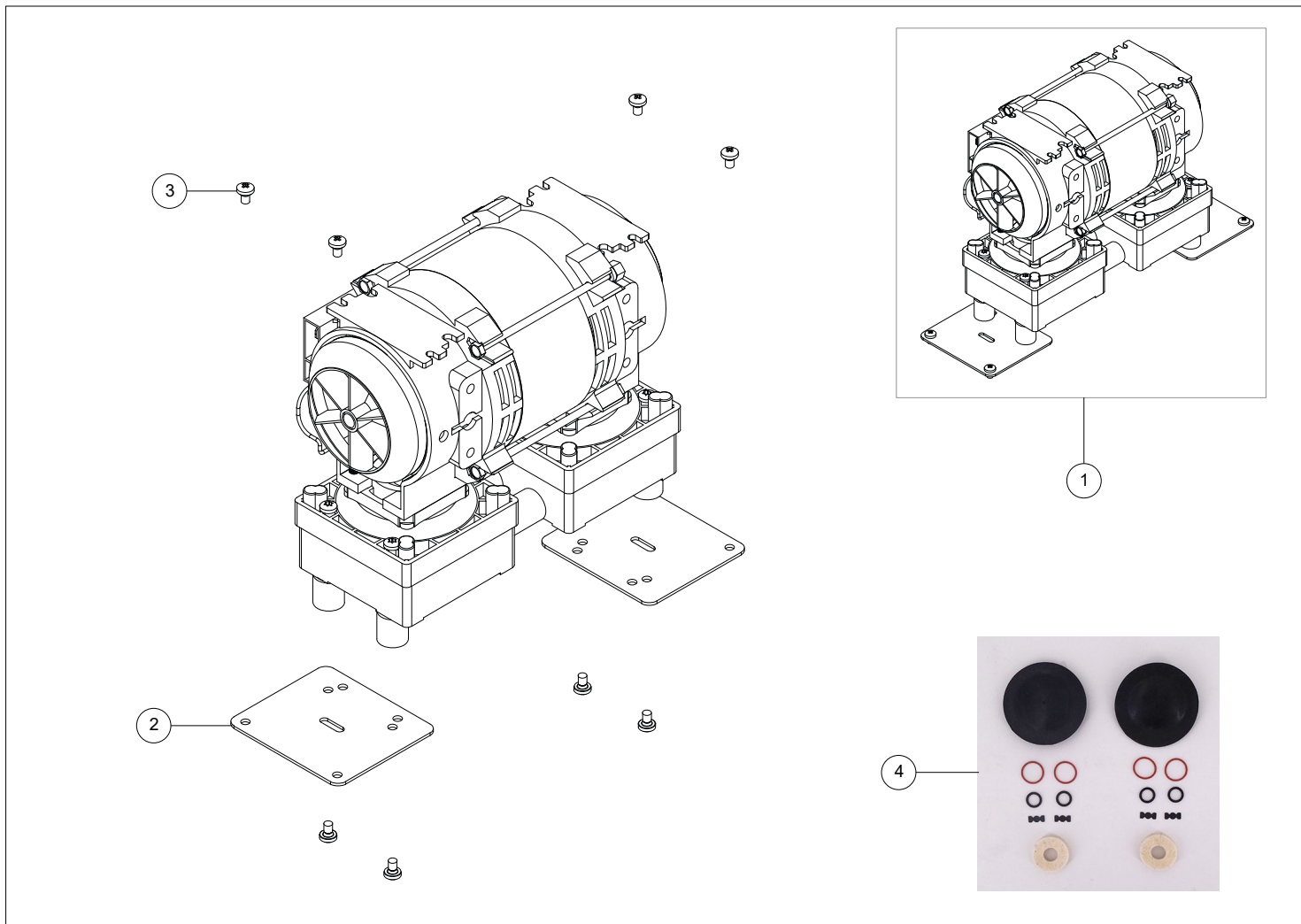
n. Code	Descrizione / Description	Description / Beschreibung	Descripción
1 99950992	CORPO INTERNO GENERATORE GENERATOR INSIDE BODY	CORPS INT. GÉNÉRATEUR INNENKÖRPER GENERATOR	CUERPO INTERNO GENERADOR
2 97650041	RESISTENZA 230V - 2000W RESISTANCE 230V - 200W	RESISTANCE 230V - 200W STANDFESTIGKEIT 230V - 200W	RESISTENCIA 230 V - 2000W
3 51237059	VITE TC CROCE M3X5 ZINC.BIANC SCREW TC CROCE M3X5 ZINC.BIANC	VIS TC CROCE M3X5 ZINC.BIANC KREUZKOPFSCHRAUBE M3X5 VERZINK	TORNILLO TC PHILLIPS M3X5 CINC
4 99950993	CORPO ESTERNO GENERATORE GENERATOR OUTSIDE BODY	CORPS EXT. GÉNÉRATEUR AUSSENKÖRPER GENERATOR	CUERPO ESTERNO GENERADOR
5 97730021	TERMOSTATO SICUREZZ 220°C NERO 220 DEGREES C SAFETY THERMO-SW	THERMOSTAT DE SÉCURITÉ 220°C SICHERHEITSTHERMOSTAT 220°C	TERMOSTATO SEGURIDAD 220°C
6 99950990	DISTANZIALE SPACER	ÉPAISSEUR ABSTANDSTÜCK	DISTANCIADOR
7 99950946	RACC. P.GOMMA ANG M G1/8 D7,9 M G1/8 D7.9 ANG HOSE CONNECTR	RACC.P.TUYAU COUDÉ M G1/8 D7,9 WINKELSCHL.ANSCHL. M G1/8 D7,9	CONEX PORTAG ANG M G1/8 D7,9
8 97901502	COPERTURA ISOLAN.GENERATORE GENERATOR INSULAT. COVER	CARTER ISOL.GÉNÉRATEUR ABDICHTUNG GENERATOR	COBERTURA AISLANTE GENERADOR
9 99950991	DISTANZIALE SPACER	ÉPAISSEUR ABSTANDSTÜCK	DISTANCIADOR
10 51247021	VITE TPS CROCE M4X16 A2 CSK CROSSHEAD SCR M4X16 A2	VIS TF PLATE CRUCIF.M4X16 A2 SENKSCHRAUBE M KREUZ. M4X16 A2	TORN C/PLANA AVELL CR M4X16 A2
11 97668139	SENSORE PT1000 GEN. VAPORE PT1000 STEAM GEN. SENSOR	CAPTEUR PT1000 GÉN. VAPEUR SENSOR PT1000 DAMPFGEN.	SENSOR PT1000 GEN VAPOR
12 99950001	VITE T.CIL.CROCE ZIGR.SOTT.4X6 SOCKET HEAD SCREW M4X6 A2	VIS TC CRUCIFORME M4X6 A2 KR-SCHLITZSCHRAUBE ZK M4X6 A2	TORNILLO C/CIL CRUZ M4X6 A2
13 97378400	OR 32,99X2,62 FKM 75SH OR PARKER P/N 2-125 V0747	JOINT TOR.PARKER P/N 2-125 V07 O-RING 32,99X2,62 FKM 75SH	OR 32,99X2,62 FKM 75SH
14 53113001	ROND ELAS GROWER X M3 ELAS GROWER WASHER X M3	RONDELLE ELAS GROWER X M3 BEILEGSCHIBE ELAS GROWER X M3	ARANDELA ELAS GROWE X M3



n. Code	Descrizione / Description	Description / Beschreibung	Descripción
15 53135028	ROND DENT EST D 4 Z.D.BIANCA INDENT.WASHER EST D 4 Z.D.WHIT	RONDELLE DENTELÉE EXT D 4 G.D. ZAHNSCHEIBE AUSS. D 4 Z.D.WEIS	ARAND. DENT. EXT. D 4 C.D. BLA
16 51237018	VITE TC CROCE M3X12 4.8 ZINC VITE TC CROCE M3X12 4.8 ZINC	VITE TC CROCE M3X12 4.8 ZINC VITE TC CROCE M3X12 4.8 ZINC	VITE TC CROCE M3X12 4.8 ZINC
17 95530803	ASS GENER. VAPORE 230V 50/60HZ STEAM GENERATOR GR. 230V	GR.GENERATEUR DE VAPEUR 230V DAMPFGENERATOR ASS	GR. GENERADOR DE VAPOR 230V
17 95530926	ASS GENER. VAPORE 120V 60HZ STEAM GENER. ASSY 120V 60HZ	ENS. GÉNÉR. VAPEUR 120V 60HZ ALLG. BAUGR. DAMPF 120V 60HZ	CONJ. GENER. VAPOR 120 V 60 HZ

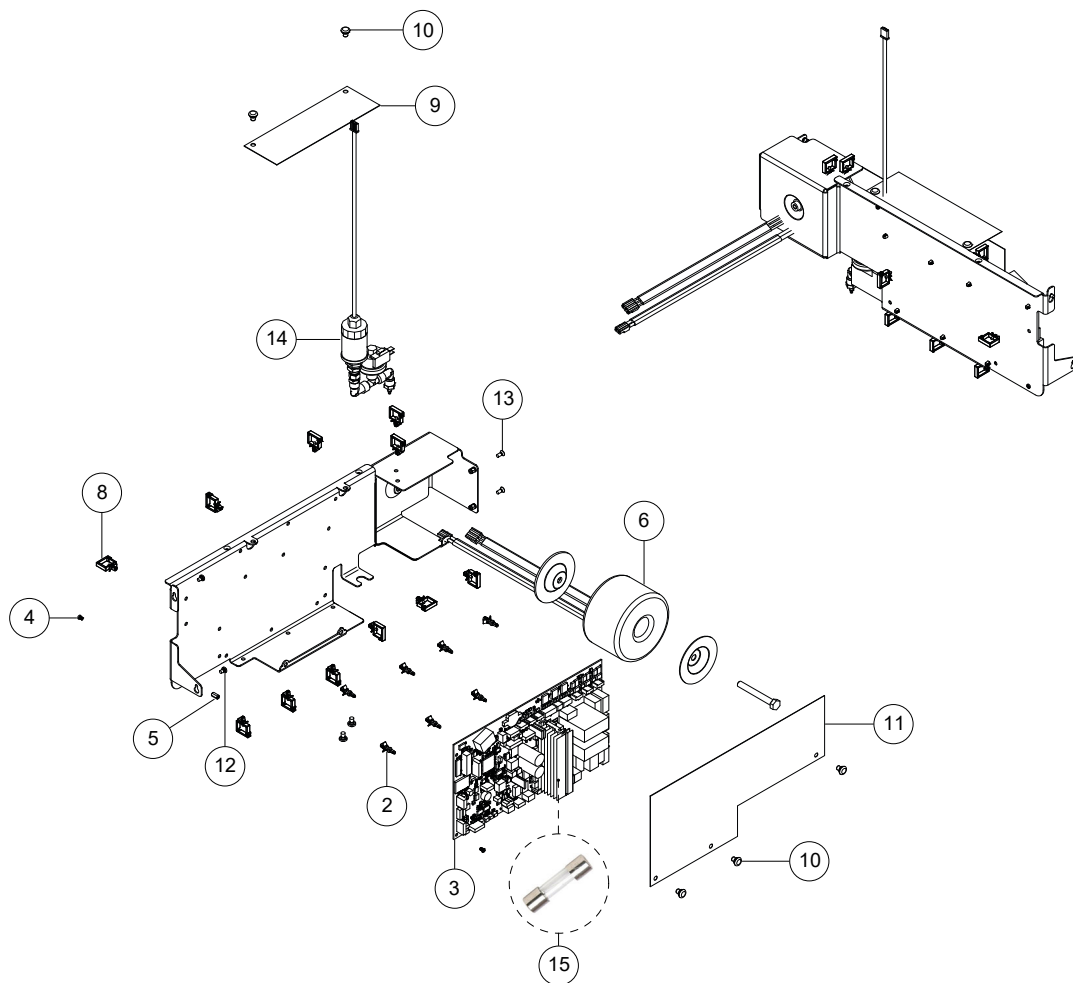


n. Code	Descrizione / Description	Description / Beschreibung	Descripción
1 97740151	POMPA VIBRAZ 24V-48W VIBRAT. PUMP 24V-48W	POMPE VIBRAT. 24V-48W VIBRATIONS PumPE 24V-48W	BOMBA VIBRAC 24V-48W
2 97720193	EV 2 VIE NC D=2.5 24VCC G1/8 2-WAY SV NC D=2.5 24VDC G1/8	EV 2 VOIES NF D=2.5 24VCC G1/8 EV 2 WEGE NC D=2.5 24VCC G1/8	EV 2 VIAS NC D=2.5 24VCC G1/8
3 97440043	SUPPORTO POMPA VIBRO VIBRO PUMP SUPPORT	SUPPORT DE POMPE DE VIBRO VIBRO-UNTERSTÜTZUNG FÜR FEUERL	VIBRO BOMBA SOPORTE
4 99950003	VITE T.CIL.CROCE ZIGR.SOT.5X10 CROSSHEAD SCREW M5X10 A2	VIS TC CRUCIFORME M5X10 A2 KR-SCHLITZSCHRAUBE ZK M5X10 A2	TORNILLO C/CIL CRUZ M5X10 A2
5 53104107	ROND D 6.6X18 S=2 ZINC WASHER D 6.6X18	RONDELLE D 6.6X18 SCHEIBE D 6.6X18	ARAND D 6.6X18
6 99950946	RACC. P.GOMMA ANG M G1/8 D7,9 M G1/8 D7.9 ANG HOSE CONNECTR	RACC.P.TUYAU COUDÉ M G1/8 D7,9 WINKELSCHL.ANSCHL. M G1/8 D7,9	CONEX PORTAG ANG M G1/8 D7,9
7 97960055	RACC NIPPLIO G1/8 L17 NIPPLE G1/8 L17	RACCORD NIPPLE G1/8 L17 NIPPELANSCHLUSS G1/8 L17	UNION NIPLE G1/8 L17
8 97290166	FILTRO ACQUA WATER FILTER	FILTRE A EAU WASSERFILTER	FILTRO AGUA
9 95530397	ASS POMPA VIBRO VIBRO PUMP ASS.	GR. POMPE VIBRO GR. PumPE VIBRO	GR BOMBA VIBRO
10 97340129	TUBO SILICONE 6X10 SILICONE PIPE 6 X 10	TUYAU SILICONE 6X10 SILIKONROHR 6X10	TUBO SILICONA 6X10



n. Code	Descrizione / Description	Description / Beschreibung	Descripción
1 95530937	ASS POMPA VUOTO HX10P3 50/60HZ HX10P3 50/60HZ VACUUM PUMP GRO	ENS.POMPE VIDE HX10P3 50/60HZ LEERE PUMPE GR. HX10P3 50/60HZ	JUN.BOMBA VAC.HX10P3 50/60HZ
2 99951474	PIASTRA FISSAGGIO POMPE PUMPS FIXING PLATE	PLAQUE FIX. POMPE BEFESTIGUNGSPLATTE PUMPEN	PLACA FIJ. BOMBA
3 99950001	VITE T.CIL.CROCE ZIGR.SOTT.4X6 SOCKET HEAD SCREW M4X6 A2	VIS TC CRUCIFORME M4X6 A2 KR-SCHLITZSCHRAUBE ZK M4X6 A2	TORNILLO C/CIL CRUZ M4X6 A2
4 95509215	KIT MAN. COMPLETO HX10P3 HX10P3 COMPLETE MANUAL KIT	KIT ENTR. COMPLET HX10P3 WART. KIT KOMPLETT HX10P3	KIT MAN. COMPLETO HX10P3

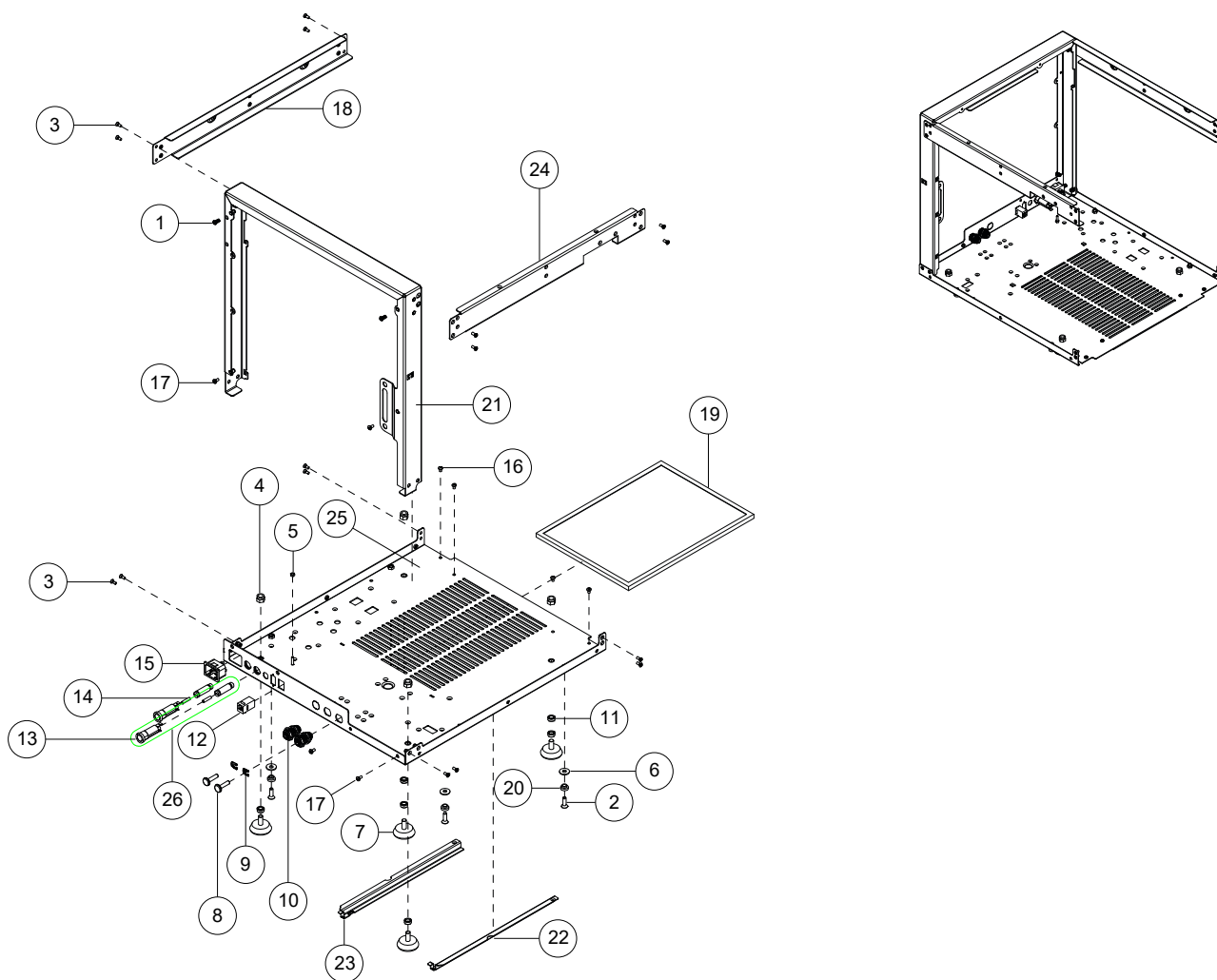




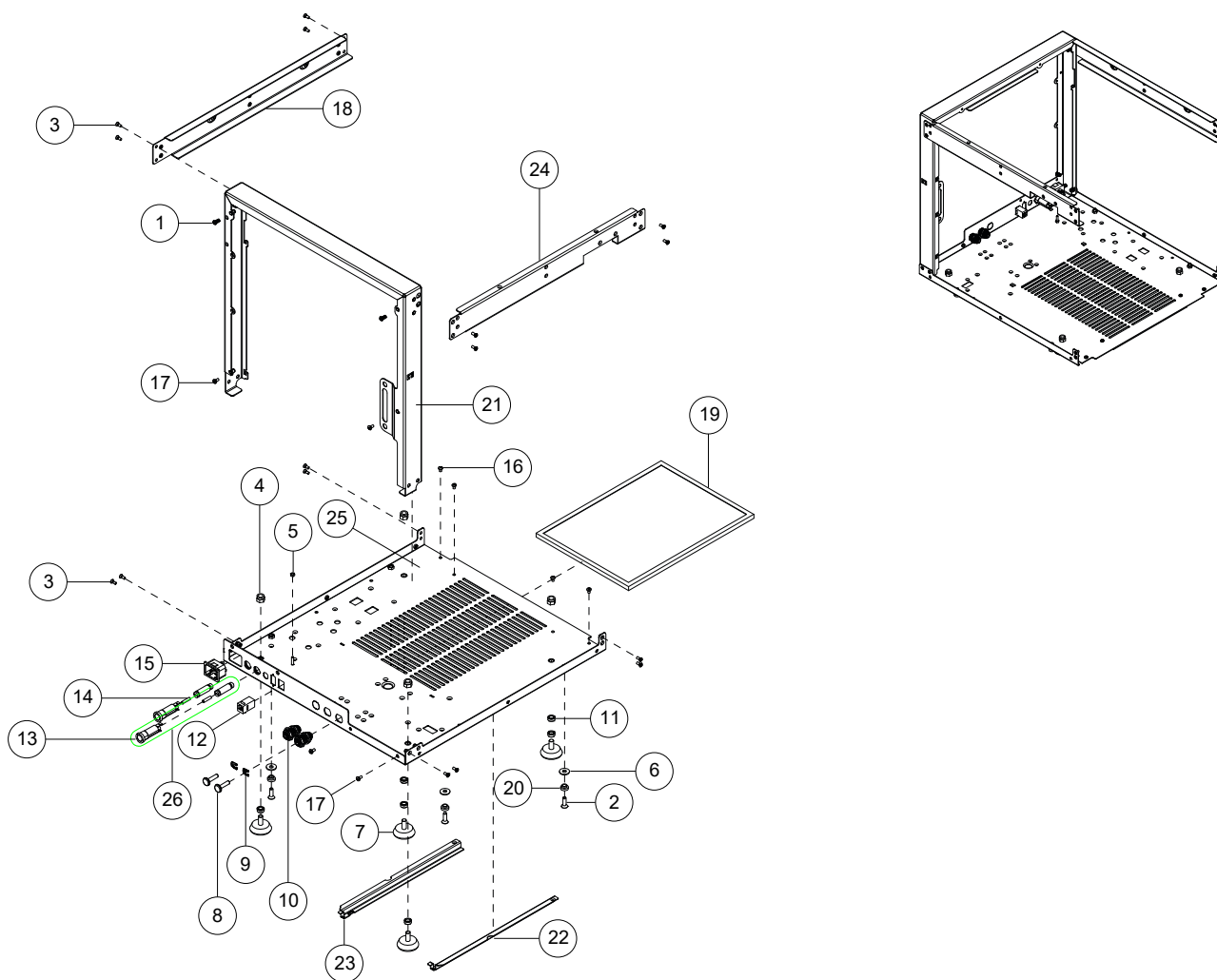
n. Code	Descrizione / Description	Description / Beschreibung	Descripción
2 97560149	SUPPORTO SCHEDA H9,5 CIRCUIT SUPPORT H9,5	SUPPORT PLATINE H9,5 PLATINE ABSTÜTZUNG H9,5	SOPORTE TARJ H9,5
3 97668177	SCHEDA DI PROCESSO AUTOCLAVE PROCESS BOARD	CARTE PROCESSUS AUTOCLAVE AUTOKLAVEN PROZESS-PLATINE	TARJETA PROCESO AUTOCLAVE
4 51237059	VITE TC CROCE M3X5 ZINC.BIANC SCREW TC CROCE M3X5 ZINC.BIANC	VIS TC CROCE M3X5 ZINC.BIANC KREUZKOPFSCHRAUBE M3X5 VERZINK	TORNILLO TC PHILLIPS M3X5 CINC
5 97560011	DISTANZ FF M3X10 SPACER FF M3X10	ENTRETOISE FF M3X10 DISTANZSTÜCK FF M3X10	DISTANC FF M3X10
6 97750185	TRASFORMATORE 0-120/220-240V TRANS.115/230V 220VA 50/60HZ	TRANSFORMATEUR 0-120/220-240V TRANSF.115/230V 220VA 50/60HZ	TRANS 115/230V 220VA 50/60HZ
7 51212219	VITE TE M8X65 ZINC 8.8 HEX HEAD SCREW M8X65 A2	VIS TH M8X65 A2 SECHSKANTSCHRAUBE M8X65 A2	TORN C/HEX M8X65 A2
8 97550103	FERMACAVO CABLE RETAINER	SERRE CABLE KABELSCHELLE	FIJACABLE
9 97400181	PROTEZIONE SCHEDA SUPERIORE TOP CARD PROTECTION	PROTECTION DE LA CARTE DU DESS OBERSTE KARTENSCHUTZ	PROTECCIÓN SUPERIOR DE LA TARJ
10 97550025	RIVETTO AUTOBLOCCANTE PLAST. CLIP	RIVET AUTOBLOQUANT SELBSTSICHERNDE NIETE	REMACHE AUTOBLOCANTE
11 97400182	PROTEZIONE SCHEDA INFERIORE LOWER BOARD PROTECT.	PROTECTION CARTE INFÉRIEURE UNTERE KARTENSCHUTZ	PROTECCIÓN INFERIOR DE LA TARJ
12 99950001	VITE T.CIL.CROCE ZIGR.SOTT.4X6 SOCKET HEAD SCREW M4X6 A2	VIS TC CRUCIFORME M4X6 A2 KR-SCHLITZSCHRAUBE ZK M4X6 A2	TORNILLO C/CIL CRUZ M4X6 A2
13 51247018	VITE TPS CROCE M4X10 A2 CSK CROSSHEAD SCR M4X10 A2	VIS TF PLATE CRUCIFOR.M4X10 A2 SENKSCHRAUBE M KREUZ. M4X10 A2	TORN C/PLANA AVELL CR M4X10 A2
14	Assieme trasduttore e pressostato Transducer and pressure switch assembly	Ensemble transducteur et pressostat Einheit Geber und Druckwächter	Conjunto transductor y presostato
15 FE2330315	FUSIBILE 5X20 RITARD.3,15 A DELAYED FUSE 5X20 3,15A	FUSIBILE RETARD. 5X20 3,15A TRÄGE SICHERUNG 5X20 3,15 A	FUSIBLE RETRAS. 5X20 3,15A



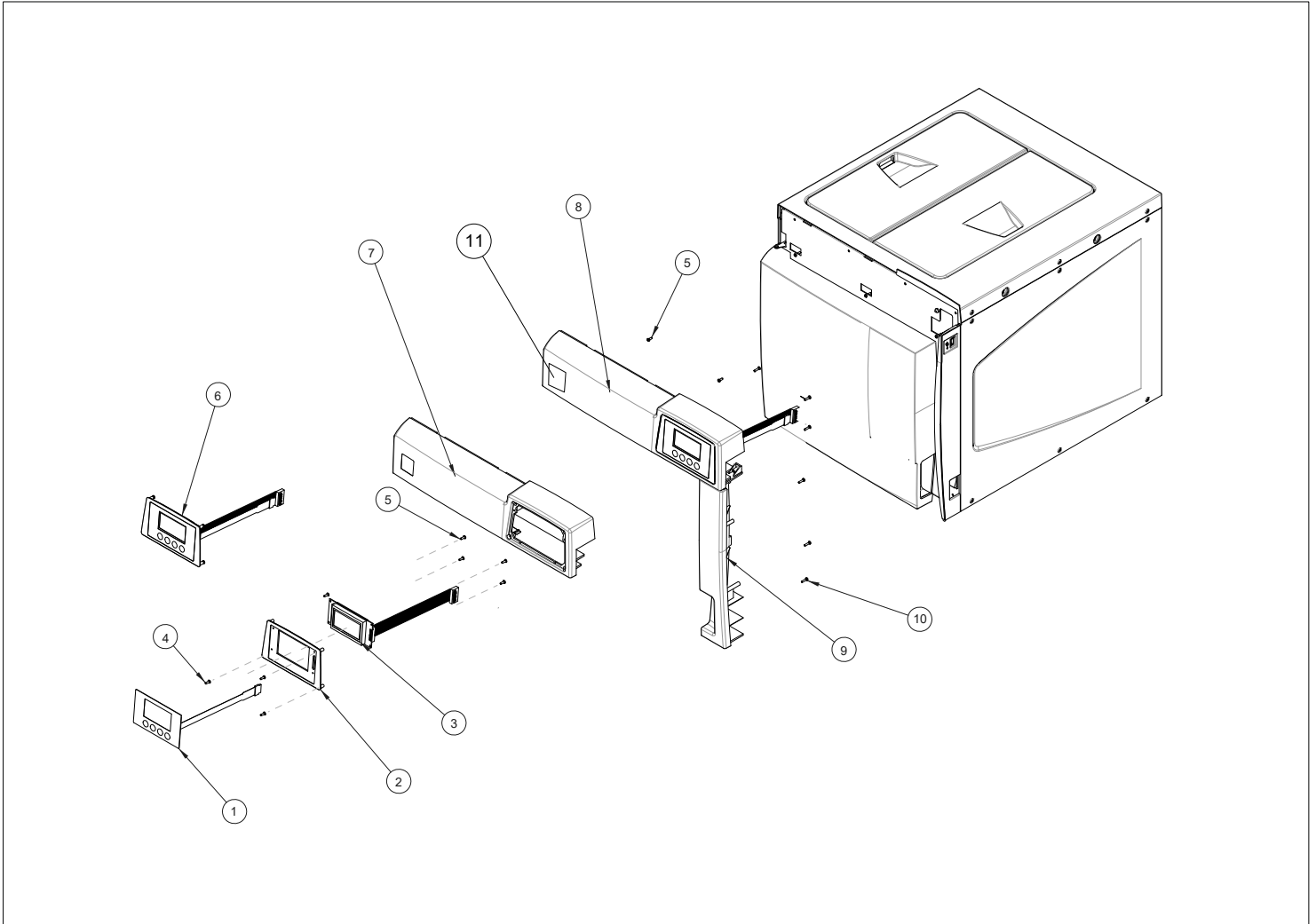
n. Code	Descrizione / Description	Description / Beschreibung	Descripción
1 95509231	TRASDUTTORE + O-RING TRANSDUCER + O-RING	TRANSDUCTEUR + O-RING GEBER + O-RING	TRANSDUCTOR + O-RING
8 95509230	PRESSOSTATO + O-RING PRESSURE SWITCH + O-RING	PRESSOSTAT + O-RING DRUCKWÄCHTER + O-RING	PRESOSTATO + O-RING
9 53113004	ROND ELAS GROWER X M6 M6 GROWER ELAST.WASHER	RONDELLE ELAST.GROWER X M6 M6 GROWER ELAST.SCHEIBE	ARAND ELÁS. GROWER X M6
10 95509232	GR.TRASDUTTORE+PRESSOSTATO TRANSDUCER+PRESSURE SWITCH GR.	GR.TRANSDUCT+PRESSOSTATE GR. GEBER+DRUCKWÄCHTER	GR.TRANSDUCT+PRESOSTATO
11 99924940	GHIERA PER TUBO PTFE 2,7X4MM PTFE 2,7X4MM TUBE FERRULE	BAGUE POUR TUYAU PTFE 2,7X4MM NUTMUT. F. PTFE-SCHL. 2,7X4 MM	CASQ PARA TUBO PTFE 2,7X4MM
12 95509245	COLL. CALDAIA_MPX TUBO TELATO REINF. HOSE MPX_BOILER CONN.	COLL. CHAUD_MPX TUYAU BACHÉ BUND KESSEL_MPX SCHL M. GEWEB.	COL. CALDERA_MPX TUBO DE LIENZ
17 95509238	GR.TUBO PTFE.GROWER.GHIERA RING NUT GROWER PTFE TUBE UNIT	GR. TUYAU PTFE. GROWER BAGUE GR.ROHR PTFE.ERZEUGER.RING	GR. TUBO PTFE. GROWER ANILLO



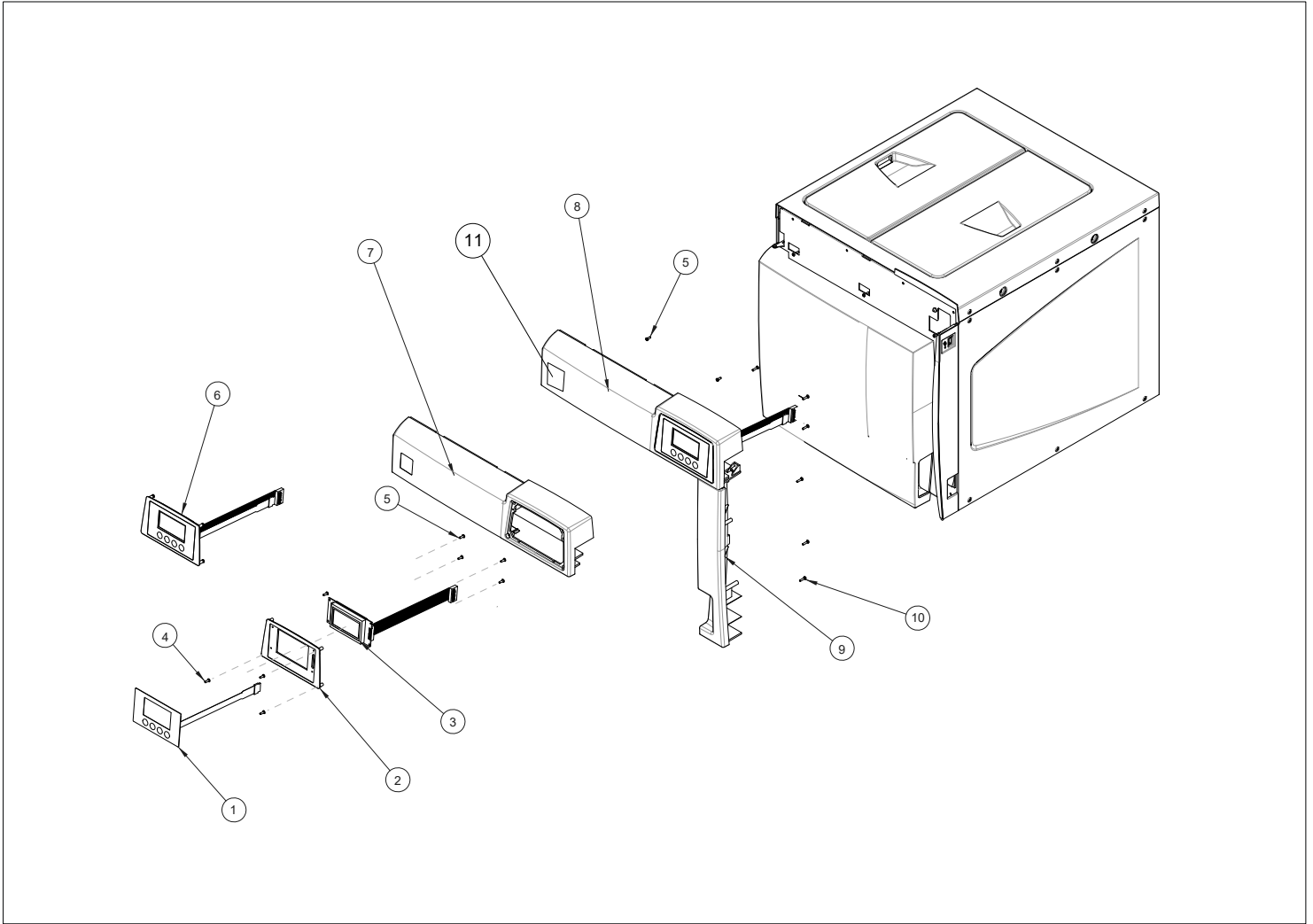
n. Code	Descrizione / Description	Description / Beschreibung	Descripción
1 51237028	VITE TC CROCE M4X10 4.8 M4X10 8.8 TC CROSS SCREW	VIS TC CROIX M4X10 8.8 M4X10 8.8 TC SCHRAUBE	TORNILLO TC CRUZ M4X10 8.8
2 51242012	VITE TPSEI M6X20 10.9 TPSEI M6X20 10.9 SCREW	VIS TPSEI M6X20 10.9 SCHRAUBE TPSEI M6X20 10.9	TORNILLO TPSEI M6X20 10.9
3 51247018	VITE TPS CROCE M4X10 A2 CSK CROSSHEAD SCR M4X10 A2	VIS TF PLATE CRUCIFOR.M4X10 A2 SENKSCHRAUBE M KREUZ. M4X10 A2	TORN C/PLANA AVELL CR M4X10 A2
4 52210014	DADO M8 ALTO 6S ZINC AUTOBLOCC SELF LOCK.HIGH ZINC NUT M8 6S	ECROU M8 HAUT 6S ZINC AUTOB. VERZ.H.SELBSTSIC.MUTTER M8 6S	TUERCA AUTOB M8 ALTA 6S ZINC
5 52220005	DADO M4 MEDIO 6S M4 6S NUT MEDIUM SIZE	ECROU M4 MOYEN 6S MUTTER M4 6S	DADO M4 MEDIO 6 S
6 53104107	ROND D 6.6X18 S=2 ZINC WASHER D 6.6X18	RONDELLE D 6.6X18 SCHEIBE D 6.6X18	ARAND D 6.6X18
7 97420246	PIEDE FISSO NYLON D40 M8X32 Z NYLON D40 M8X32 Z FIXED FOOT	PIED FIXE NYLON D40 M8X32 Z NYLON D40 M8X32 Z FIXIERT FUSS	PIE FIJO NYLON D40 M8X32 Z
8 97420133	TAPPO1/4 1/4 PP0808W JOHN GUEST PLUG	BOUCHON1/4 PP0808W JOHN GUEST VERSCHL 1/4 PP0808W JOHN GUEST	TAPÓN 1/4 PP0808W JOHN GUEST
9 97550086	CLIP BLOCCA PINZETTA 1/4" 1/4" PINCERS BLOCKING CLIP	CLIP BLOC PINCETTE 1/4" SAFETY CLIP -(THERMOPL.-POLYURE	CLIP BLOQUE PINZA 1/4"
10 95509195	GRUPPO RACC. PASSAPARETE 1/4 1/4 PASS THROUGH JUNCTION GR.	GR.RACC.PASSE-PAROIS 1/4 1/4 WAND ÜBERSCH. VERB. GR.	GR. CONEXION PASA PARED 1/4
11 97560103	DISTANZIALE IN PLASTIC PA66 PA66 PLASTIC SPACER	ENTRET. EN PLASTIQUE PA66 Distanzstück aus Kunststoff PA	DISTANCIAL DE PLASTICO PA66
12 97560151	PASSAPARETE RJ45 CAT5E BULKHEAD RJ45 CAT5E	PASSE PAROIS RJ45 CAT5E SCHOTT RJ45 CAT5E	PASAPARED RJ45 CAT5E
13 97760051	PORTAFUSIBILE 6,3X32 FUSE BOX 6,3X32	PORTE FUSIBLE 6,3X32 6,3X32 SICHERUNGSHALTER	PORTA FUSIBLE 6,3X32
14 97760053	FUSIBILE 6,3X32 T15 A FUSE 6,3X32 T15 A	FUSIBLE 6,3X32 T15 A 6,3X32 T15 A SICHERUNG	FUSIBLE 6,3X32 T15 A



n. Code	Descrizione / Description	Description / Beschreibung	Descripción
15 97940114	VASCHETTA ALIMENTAZ IEC C20 IEC C20 SUPPLY TANK	BAC ALIMENTATION IEC C20 STROMANSCHLUSS IEC C20	CUBETA ALIM IEC C20
16 99950001	VITE T.CIL.CROCE ZIGR.SOTT.4X6 SOCKET HEAD SCREW M4X6 A2	VIS TC CRUCIFORME M4X6 A2 KR-SCHLITZSCHRAUBE ZK M4X6 A2	TORNILLO C/CIL CRUZ M4X6 A2
17 99950002	VITE T.CIL.CROCE ZIGR.SOTT.4X8 CROSSHEAD SCREW M4X8 A2	VIS TC CRUCIFORME M4X8 A2 KR-SCHLITZSCHRAUBE ZK M4X8 A2	TORNILLO C/CIL CRUZ M4X8 A2
18 99950954	TRAVERSA DX RIGHT CROSS BAR	TRAVERSE DROITE RICHTIGE CROSS BAR	BARRA TRANSVERSAL DERECHA
19 99951019	FILTRO ANTIPOLVERE ANTI DUST FILTER	FILTRE ANTI-POUSSIÈRE STAUBSCHUTZFILTER	FILTRO ANTIPOLVO
20 99951064	BOCCOLA AGGANCIO CINGHIA STRAP CONNECTION BUSH	DOUILLE FIXATION COURROIE BUCHSE RIEMENKOPPLUNG	COJINETE FIJACION BANDA
21 99951273	PORTALE PORTALE	PORTALE PORTALE	PORTALE
22 99951279	GUIDA SX FILTRO ANTIPOLVERE DUSTPROOF FILTER LEFT RUNNER	GUIDE GAUCHE FILTRE ANTIPOUS. FÜHRUNG LINKS STAUBSCHUTZFILTE	GUIA IZQ. FILTRO ANTIPOLVO
23 99951280	GUIDA DX FILTRO ANTIPOLVERE DUSTPROOF FILTER RIGHT RUNNER	GUIDE DROIT FILTRE ANTIPOUS. FÜHRUNG RECHTS STAUBSCHUTZFILT	GUIA DER. FILTRO ANTIPOLVO
24 99951406	TRAVERSA SX LH CROSSBAR	TRAVERSE GACHE QUERTRÄGER LI	TRAVESAÑO IZQ.
25 99951409	LAMIERA BASAMENTO BASE SHEET-METAL	TOLE BASE SOCKEL STAHLBLECH	CHAPA BASE
26 95509196	ASSIEME PORTA FUSIBILE FUSE HOLDER ASSEMBLY	GR., BOITE A FUSIBLES ZUSAM.SCHMELZSICH.TRAEGER	KIT PORTA FUSIBLE

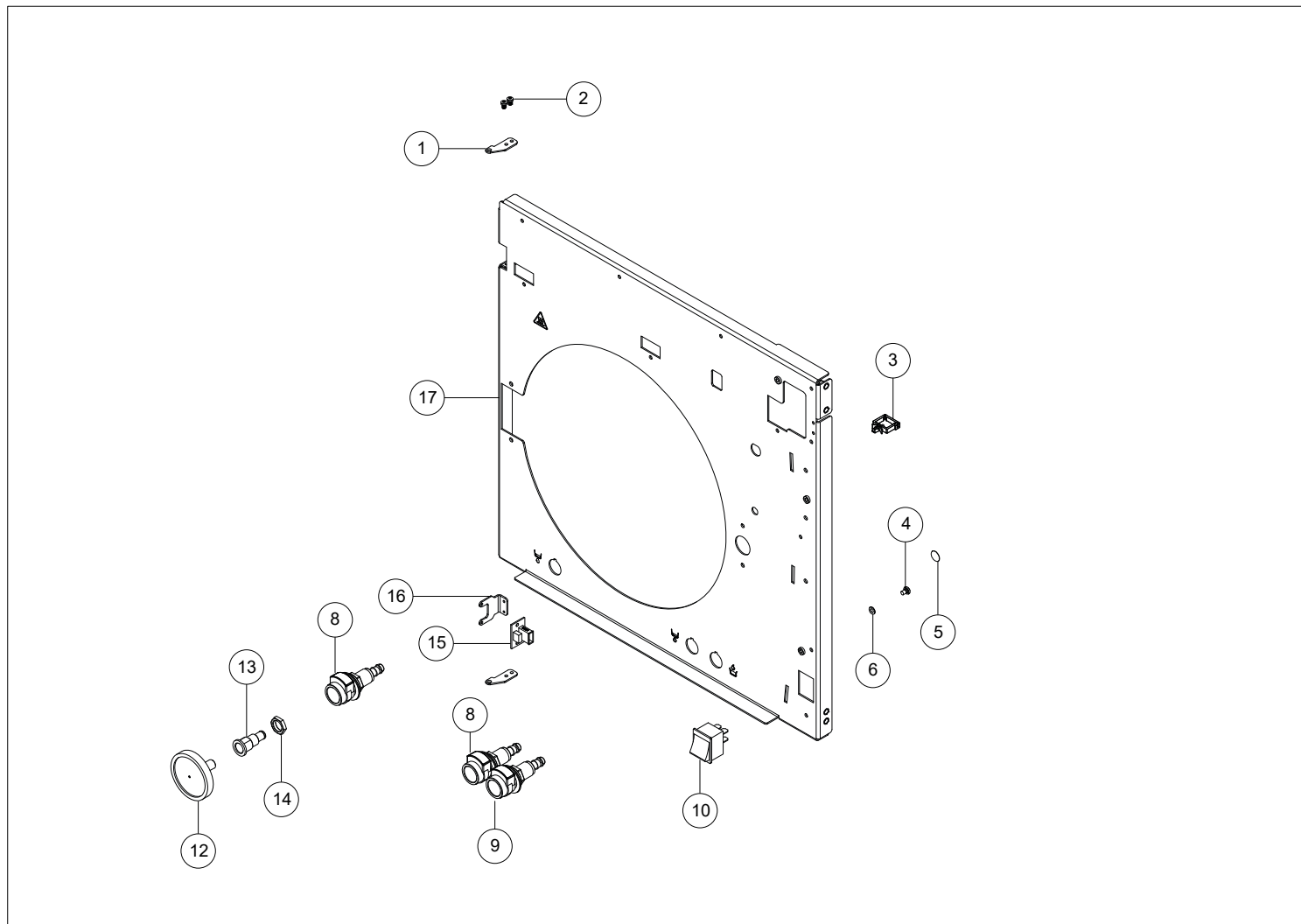


n. Code	Descrizione / Description	Description / Beschreibung	Descripción
1 97620343	PULSANTIERA CLASSIC MOCOM MOCOM CLASSIC KEYBOARD	CLAVIER CLASSIC MOCOM MOCOM CLASSIC DRUCKKNOPFSCHALT	BOTONERA CLASSIC MOCOM
2 97467129	CORNICE DISPLAY ENTRY ENTRY DISPLAY MOULDING	CADRE AFFICHEUR ENTRÉE/GAMME DISPLAYRAHMEN ENTRY	MARCO DISPLAY ENTRY LEVEL
3 97661272	LCD GRAFICO BLU CABLATO WIRED BLUE GRAPH. LCD	LCD GRAPHIQUE BLEU CÂBLÉ GRAFIK-LCD BLAU VERKABELT	LCD GRÁFICO AZUL CABLEADO
4 51537012	VITE A-P T/BOMB CRO D3SPX08 SCREW AUT TC CRO D3SPX8	VIS AUT TC CRO D3SPX8 SCHRAUBE AUT TC CRO D3SPX8	TORNILLO A-P T/BOM CRO D3SPX08
5 51437111	VITE AUT TC CRO #2,9X9,5 ST SCREW TC CRO #2,9X9,5	VIS AUTOT. TC CHRO #2,9X9,5 SELBSTS. KREUZKOPFSCHRAUBE #2.	TORNILLO AUT TC PHIL #2,9X9,5
6 95530430	ASS DISPLAY ENTRY ASS ENTRY DISPLAY	ASS AFFICHAGE ENTREE ASS EINTRAG ANZEIGEN	ASS PANTALLA ENTRADA
7 97467128	ASS FASCIA SUPERIORE UPPER COVER ASS	GR. CARTER SUPERIEUR GR. OBERE BLENDE	GR REGLETA SUPERIOR
8 95530441	ASS FASCIA SUPER BIANCA ASS CLASSIC UPPER WHITE STRIP	ASS CLASSIC BANDE BLANCHE SUPE ASS CLASSIC OBEREN WEISSEN STR	ASS CLASSIC FRANJA BLANCA SUPE
9 97467127	FASCIA LATERALE SIDE BAND	BANDE LATÉRALE SEITENANSICHT STIRNBAND	BANDA LATERAL
10 51467003	VITE AUT T/BOMB 3X12 A2 ROUND HEAD TAPPING SCR 3X12 A2	VIS AUTOT. TÊTE BOMBÉE 3X12 A2 LINSENKSCHEIDSCHRAUBE 3X12 A2	TORN AUT C/ABOMB 3X12 A2
11 97782591	ETICHETTA FRONT S CLASSIC-17 S CLASSIC-17 FRONT LABEL	ETIQUETTE FRONT. S CLASSIC-17 VORDERES S CLASSIC-17 SCHILD	PEGATINA FRONT. S CLASSIC-17
11 97782592	ETICHETTA FRONT S CLASSIC-22 S CLASSIC-22 FRONT LABEL	ETIQUETTE FRONT. S CLASSIC-22 VORDERES S CLASSIC-22 SCHILD	PEGATINA FRONT. S CLASSIC-22
11 97782593	ETICHETTA FRONT B CLASSIC-17 B CLASSIC-17 FRONT LABEL	ETIQUETTE FRONT.B CLASSIC-17 AUFKLEBER FRONT B CLASSIC-17	ETIQUETA FRONT.B CLASSIC-17
11 97782594	ETICHETTA FRONT B CLASSIC-22 B CLASSIC-22 FRONT LABEL	ETIQUETTE FRONT.B CLASSIC-22 AUFKLEBER FRONT B CLASSIC-22	ETIQUETA FRON.B CLASSIC-22

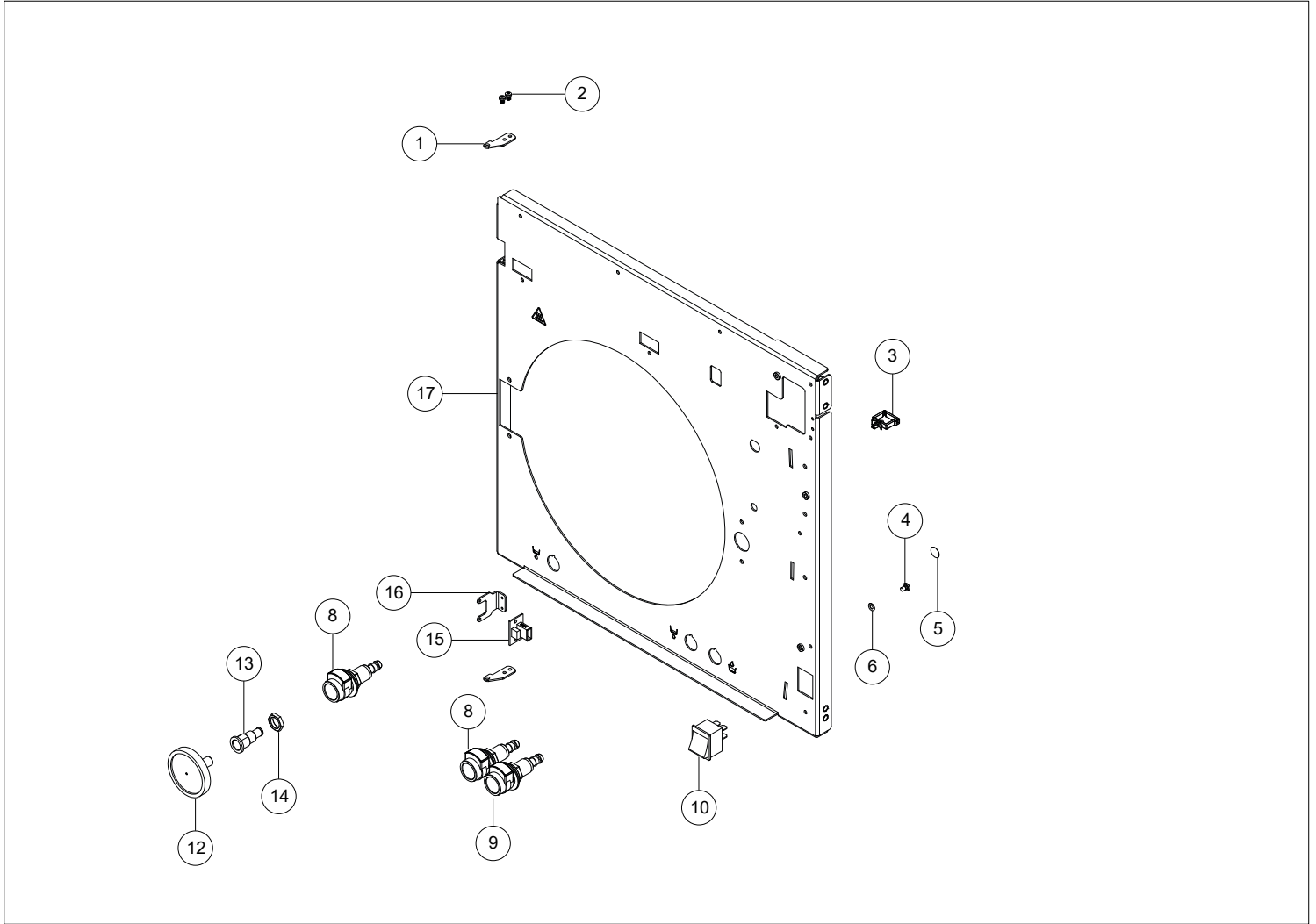


n. Code	Descrizione / Description	Description / Beschreibung	Descripción
11 97782595	ETICHETTA FRONT B CLASSIC-28 B CLASSIC-28 FRONT LABEL	ETIQUETTE FRONT.B CLASSIC-28 AUFKLEBER FRONT B CLASSIC-28	ETIQUETA FRONT.B CLASSIC-28

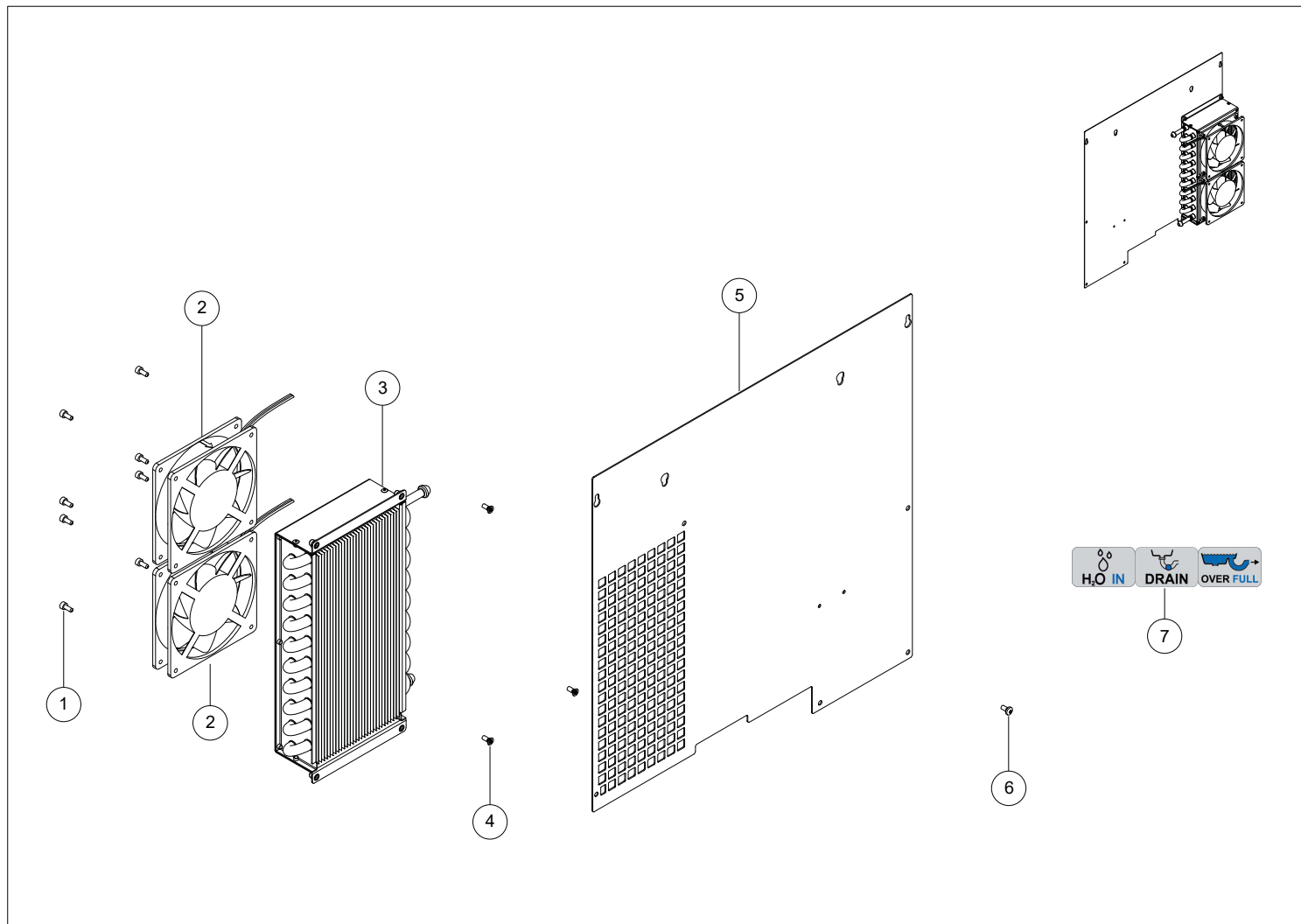




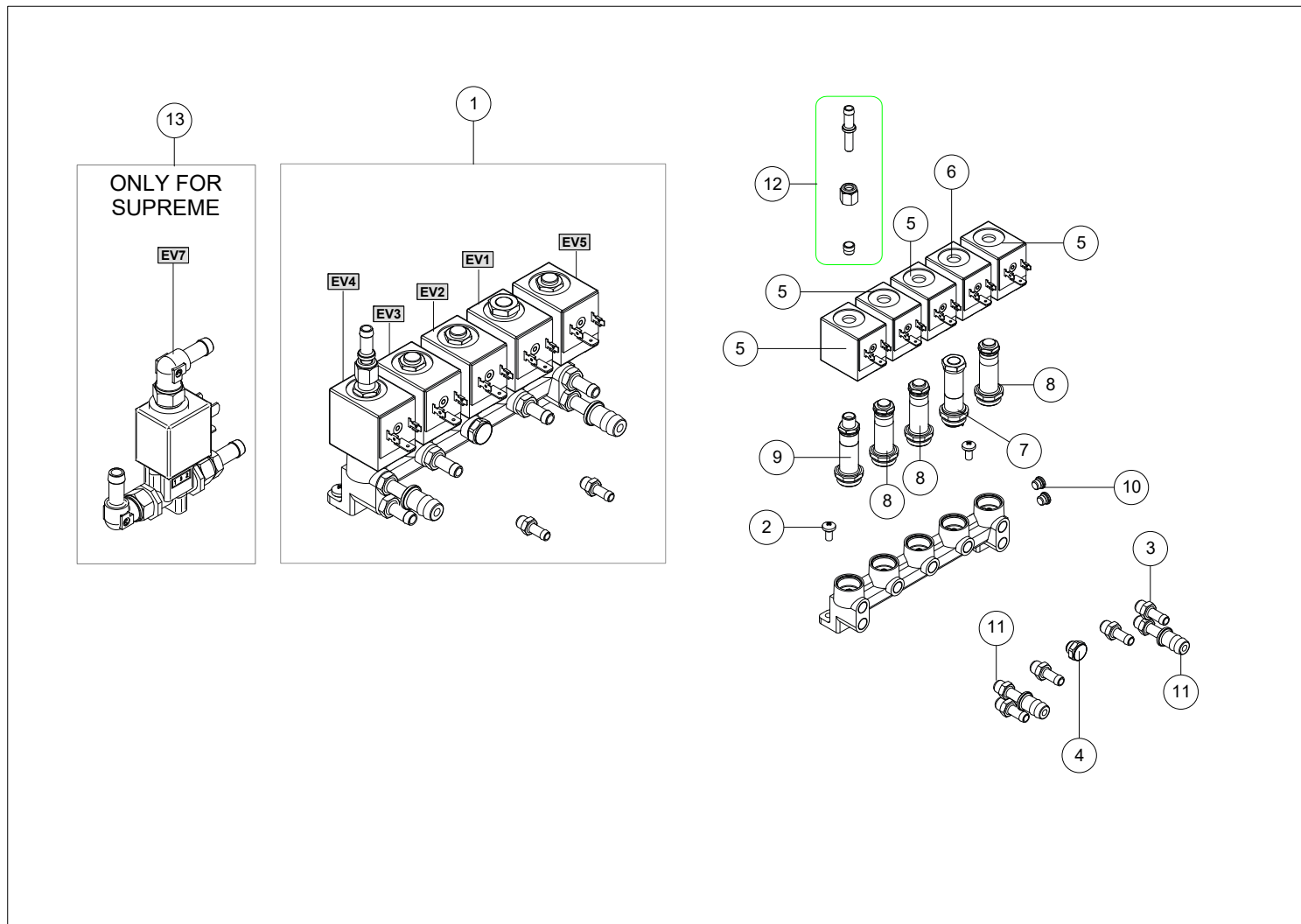
n. Code	Descrizione / Description	Description / Beschreibung	Descripción
1 99951200	STAFFA FULCRO HEAD BRACKET	ÉQUERRE TÊTE ANSCHWENKBÜGEL	SOPORTE FULCRO
2 51237059	VITE TC CROCE M3X5 ZINC.BIANC SCREW TC CROCE M3X5 ZINC.BIANC	VIS TC CROCE M3X5 ZINC.BIANC KREUZKOPFSCHRAUBE M3X5 VERZINK	TORNILLO TC PHILLIPS M3X5 CINC
3 97550103	FERMACAVO CABLE RETAINER	SERRE CABLE KABELSCHELLE	FIJACABLE
4 99950001	VITE T.CIL.CROCE ZIGR.SOTT.4X6 SOCKET HEAD SCREW M4X6 A2	VIS TC CRUCIFORME M4X6 A2 KR-SCHLITZSCHRAUBE ZK M4X6 A2	TORNILLO C/CIL CRUZ M4X6 A2
5 97780158	TARGA MASSA D=10MM FONDO GROUND PLATE D=10MM	PLAQUE MASSE D=10MM SCHILD ERDUNG	PLACA MASA
6 53135028	ROND DENT EST D 4 Z.D.BIANCA INDENT.WASHER EST D 4 Z.D.WHIT	RONDELLE DENTELÉE EXT D 4 G.D. ZAHNSCHEIBE AUSS. D 4 Z.D.WEIS	ARAND. DENT. EXT. D 4 C.D. BLA
8 97560105	RACC.RAP. SCARICO FRONT.GRIGIO GREY FRNT DRAIN QUICK COUPL.	RACC.RAP. ÉVACUAT. FRONT.GRIS SCHNELLAN. FRONT.AUSLASS GRAU	CONEX RÁP DESCARGA FRONT GRIS
9 97560106	RACC.RAP. CARICO FRONT. BLU BLUE FRONT LOAD QUICK COUPLING	RACC.RAP. REMPLISS.FRONT. BLEU SCHN.ANSCHL. FR.EINLASS BLAU	CONEX RÁP CARGA FRONT AZUL
10 97600131	INTERRUTTORE A BASCULA TOGGLE SWITCH	INTERRUPTEUR Á BASCULE KIPPSCHALTER	INTERRUPTOR BASCULANTE
12 97290160	FILTRO BATTERIOLOG 0.2 0.2 BACTERIOLOGICAL FILTER	FILTRE BACTERIOLOG. 0.2 BAKTERIOLOGISCHER FILTER 0.2	FILTRO BACTERIOLOGICO 0.2
13 99950960	RACC FILTRO BATTERIOLOGICO BACTERIOLOGICAL FILTER FITTING	FILTRE BACTÉRIOLOGIQUE RACCORD MONTAGE BAKTERIOLOGISCHE FILTE	FILTRO BACTERIOLÓGICO GUARNICI
14 99950017	RACC DADO FILTRO BATT M14X1 BACT.FILTER NUT FITTING M14X1	RACC. ÉCROU FILTRE BACT.M14X1 ANSCHL. MUTTER BAKT.FIL M14X1	UNION TUERCA FILTRO BACT M14X1
15 97668134	SCHEDA USB USB BOARD	CARTE USB USB-KARTE	TARJETA USB
16 99950956	STAFFA USB USB BRACKET	SUPPORT DE L'USB USB-KLAMMER	SOPORTE USB



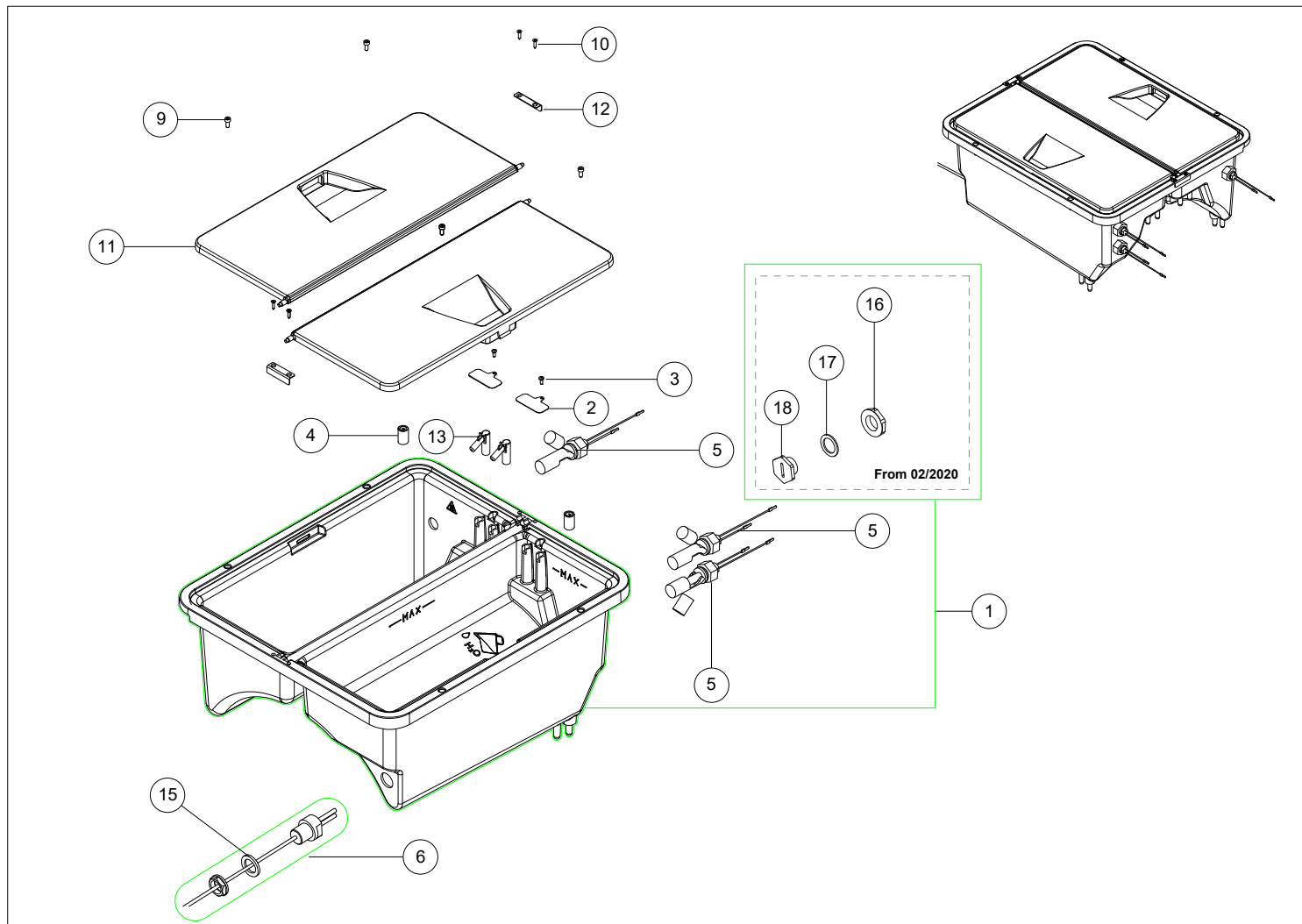
n. Code	Descrizione / Description	Description / Beschreibung	Descripción
17 99951745	PANNELLO FRONT. 17-22L 17-22L FRONT PANEL	PANNEAU FRONT. 17-22L FRONTPLATTE 17-22L	PANEL DELANT. 17-22L



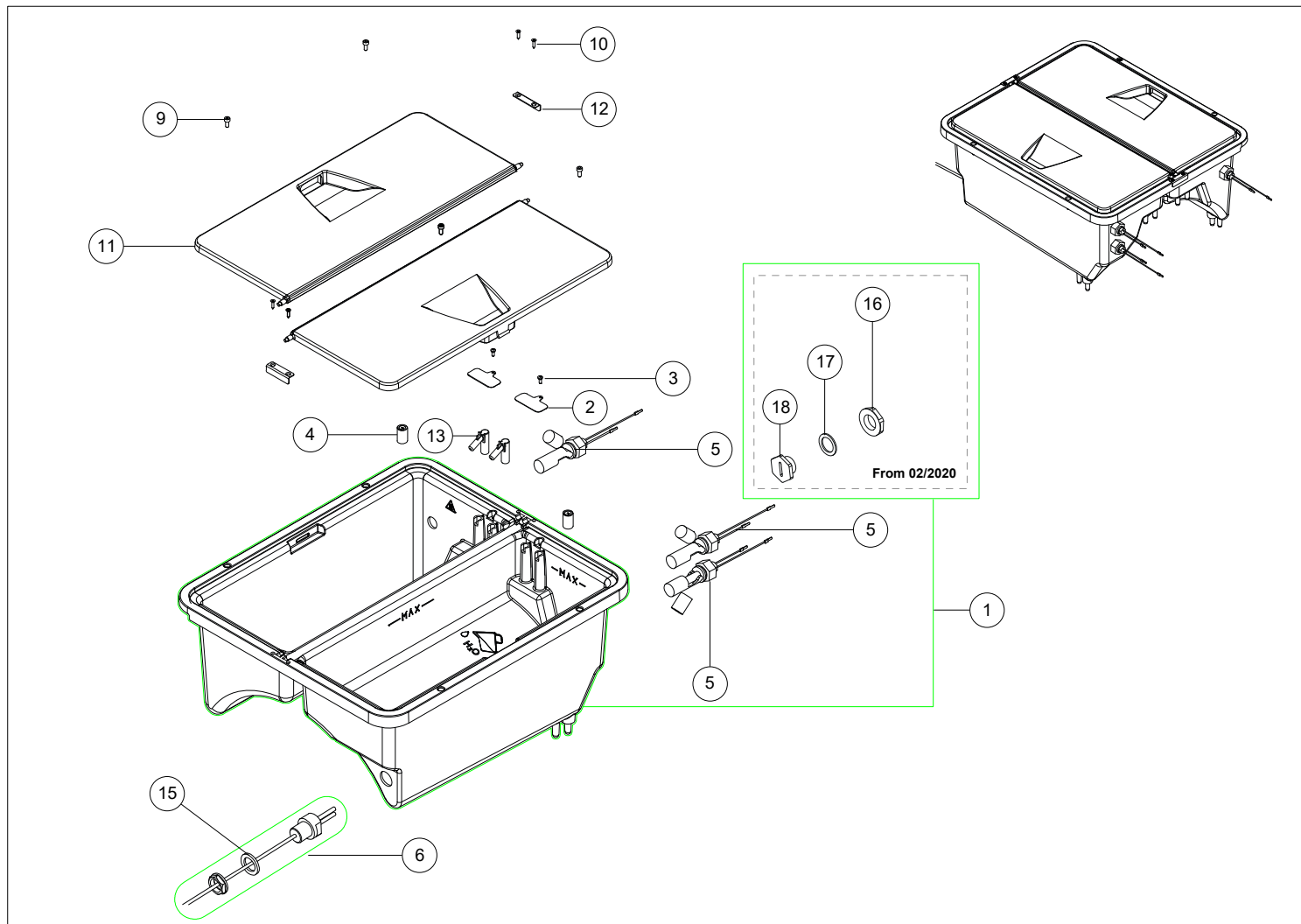
n. Code	Descrizione / Description	Description / Beschreibung	Descripción
1 51232039	VITE TCEI M4X10 SCREW TCEI M4X10	VIS TCEI M4X10 SCHRAUBE TCEI M4X10	TORNILLO TCEI M4 X 10
2 97250036	VENTILATORE 120X120X25 24V 120X120X25 24V FAN	VENTILATEUR 120X120X25 24V VENTILATOR 120X120X25 24V	VENTILADOR 120X120X25 24V
3 99951457	SCAMBIATORE DI CALORE HEAT EXCHANGER	ECHANGEUR DE CHALEUR WÄRMETAUSCHER	INTERCAMBIADOR DE CALOR
4 51247018	VITE TPS GROCE M4X10 A2 CSK CROSSHEAD SCR M4X10 A2	VIS TF PLATE CRUCIFOR.M4X10 A2 SENKSCHRAUBE M KREUZ. M4X10 A2	TORN C/PLANA AVELL CR M4X10 A2
5 99951407	CARTER POSTERIORE REAR CARTER	CARTER POSTERIEUR HINTERE ABDECKUNG	CARTER POSTERIOR
6 99950002	VITE T.CIL.CROCE ZIGR.SOTT.4X8 CROSSHEAD SCREW M4X8 A2	VIS TC CRUCIFORME M4X8 A2 KR-SCHLITZSCHRAUBE ZK M4X8 A2	TORNILLO C/CIL CRUZ M4X8 A2
7 97782065	ETICHETTA H2OIN/DRAIN/OVERFULL H2O IN / DRAIN LABEL	ETIQUETTE H2O ENTREE/DRAINAGE ETIKETT H2O E/DRAIN.	ETIQUETA H2O INGRESO/DRENAJE



n. Code	Descrizione / Description	Description / Beschreibung	Descripción
1 95509218	ASSIEME MANIFOLD MANIFOLD ASSEMBLY	MANIFOLD CAMOZZI CAMOZZI MANIFOLD	MANIFOLD CAMOZZI
2 99950003	VITE T.CIL.CROCE ZIGR.SOT.5X10 CROSSHEAD SCREW M5X10 A2	VIS TC CRUCIFORME M5X10 A2 KR-SCHLITZSCHRAUBE ZK M5X10 A2	TORNILLO C/CIL CRUZ M5X10 A2
3 99950948	RACC. P.GOMMA DIR M G1/8 D7,9 M G1/8 D7.9 STR HOSE CONNECTR	RACC.P.-TUYAU DR.M G1/8 D7,9 GER. SCHL.ANSCHL. M G1/8 D7,9	CONEX PORTAG RECT M G1/8 D7,9
4 97986300	RACCORDO FILTRO FILTER FITTING	RACCORD FILTRE FILTER-MONTAGE	GUARNICIÓN FILTRO
5 97720214	BOBINA SOLENOID	BOBINE SPULE	BOBINA
6 97720213	BOBINA PER NA COIL FOR NA (NORMALLY OPEN)	BOBINE POUR NA (OUVRIR NORMALE SPULE FÜR NA (SCHLIESSER)	BOBINA PARA NA (NORMALMENTE AB
7 97720215	PORTAC+CURSORE EV1 HOLDER + EV1 CURSOR	PORTE CURSEUR + EV1 CURSEUR HALTER + EV1 CURSOR	PUERTA CURSOR + EV1 CURSOR
8 97720216	PORTAC+CURSORE EV2-EV3-EV5 HOLDER + CURSOR EV2-EV3-EV5	PORTE + CURSEUR EV2-EV3-EV5 HALTER + CURSOR EV2-EV3-EV5	PUERTA CURSOR + CURSOR EV2-EV3
9 97720217	PORTAC+CURSORE 3 VIE EV4 HOLDER + 3-WAY CURSOR EV4	PORTE + 3 VOIES CURSEUR EV4 HALTER + 3-WEGE-CURSOR EV4	PUERTA CURSOR + 3 VÍAS CURSOR
10 97420143	TAPPO MANIFOLD MANIFOLD PLUG	BOUCHON COLLECTEUR VERTEILERVERSCHLUSS	TAPÓN COLECTOR
11 97960088	RACCORDO MANDATA / RITORNO DELIVERY / RETURN CONNECTOR	RACCORD ALLER / RETOUR VORLAUF-/RÜCKLAUFANSCHLUSS	CONEXION IDA / VUELTA
12 97987800	RACCORDO A OGIVA OGIVE FITTING	RACCORD À OLIVE WIDERHAKENANSCHLUSS	UNIÓN DE COMPRESIÓN
13 95530868	ASS ELETTROVALVOLA SERBATOI TANKS SOLENOID VALVE GR.	ENS.ELECTROVANNE RESERVOIR TANKMAGNETVENTIL GR.	GR.ELECTROVALV. DEPOSITO

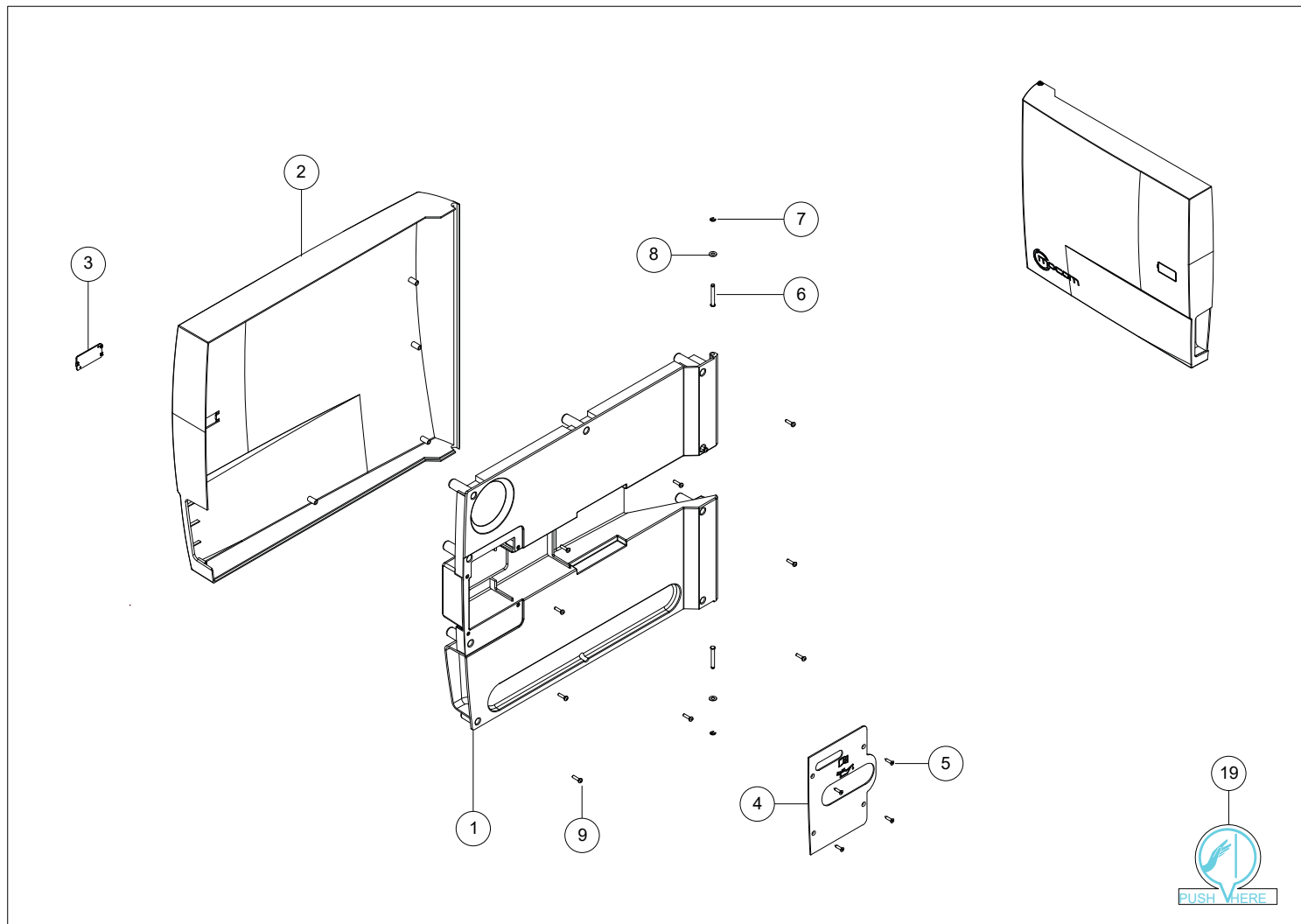


n. Code	Descrizione / Description	Description / Beschreibung	Descripción
1 95509224	SERBATOIO CON TAPPO TANK WITH CAP	RESERVOIR AVEC BOUCHON BEHÄLTER MIT VERSCHLUSS	DEPOSITO CON TAPA
2 99950995	PARASPRUZZI SPLASH GUARD	PARE-ÉCLABOUSSURES SPRITZSCHUTZ	PROTECCIÓN CONTRA SALPICADURAS
3 51467001	VITE AUT T/BOMB 3X8 A2 SCREW FOR PLAST.MAT. TCCR/Z UN	VIS FOR PLAST.MAT. TCCR/Z UN SELBSTS. LINSKOPFSCHRAUBE 3X	TORNILLO AUT C/ABOMB. 3X8 A2
4 97290210	FILTRO ASS SERBATOIO TANK WATER FILTER	FILTRE EAU RÉSERVOIR FILTER FÜR WASSER BEHÄLTER	FILTRO AGUA DEPÓSITO
5 97662424	SENSORE DI LIVELLO LEVEL SENSOR	CAPTEUR DE NIVEAU STANDSENSOR	CAPTADOR DE NIVEL
6 95509147	ASSIEME SENSORE CONDUCIBILITA' WATER CONDUCTIVITY SENSOR ASS.	GR. CAPTEUR CONDUCTIBILITÉ GR. LEITFÄHIGKEITSSENSOR	GRUPO SENSOR CONDUCTIBILIDAD
9 51232039	VITE TCEI M4X10 SCREW TCEI M4X10	VIS TCEI M4X10 SCHRAUBE TCEI M4X10	TORNILLO TCEI M4 X 10
10 51447093	VITE AUT TPS CRO 3X12 CSK CR.HD TAPPING SCR 3X12	VIS AUTOT. TF PLATE CHR. 3X12 SENKSCHNEIDSCHRAUBE KREUZ 3X12	TORN AUT C/PLANA AVELL CR 3X12
11 95530418	ASS COPERCHIO SERBATOIO TANK COVER ASSEMBLY	ENS.COUPER.RESERVOIR TANKABDECKUNG GR.	GR. TAPA DEPOSITO
12 99951056	STAFFA SPORTELLO SERBATOIO TANK DOOR BRACKET	BRIDE PORTE RÉSERVOIR KLAPPENBÜGEL BEHÄLTER	SOPORTE PUERTA DEPÓSITO
13 97467330	RACCORDO SERBATOIO RACCORDO SERBATOIO	RACCORDO SERBATOIO RACCORDO SERBATOIO	RACCORDO SERBATOIO
15 97400179	GUARNIZIONE D30X20X3 EPDM D30X20X3 EPDM GASKET	GARNIT. D30X20X3 EPDM DICHTUNG D30X20X3 EPDM	FORRO D30X20X3 EPDM
16 97420041	GHIERA PG9 GRIGIA PG9 GRAY RING	EMBOUT PG9 GRIS MUTTER PG9 GRIGIA	VIROLA PG9 GRIS
17 97388500	GUARNIZIONE 20X13,9X1,2 20X13,9X1,2 GASKET	JIONT 20X13X1,2 DICHTUNG 20X13,9X1,2	JUNTA 20X13X1,2

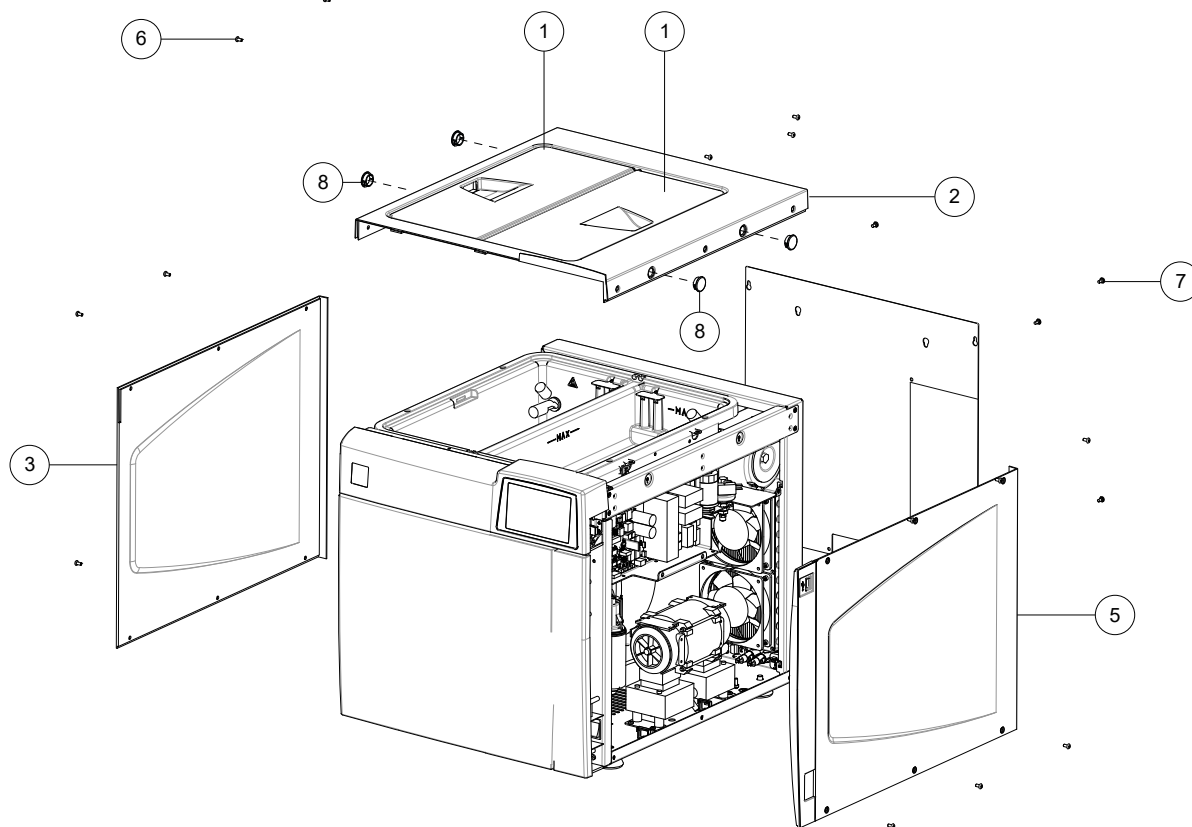


n. Code	Descrizione / Description	Description / Beschreibung	Descripción
18 97420236	TAPPO PG9 PG9 CAP	BOUCHON PG9 VERSCHLUSS PG9	TAPA PG9

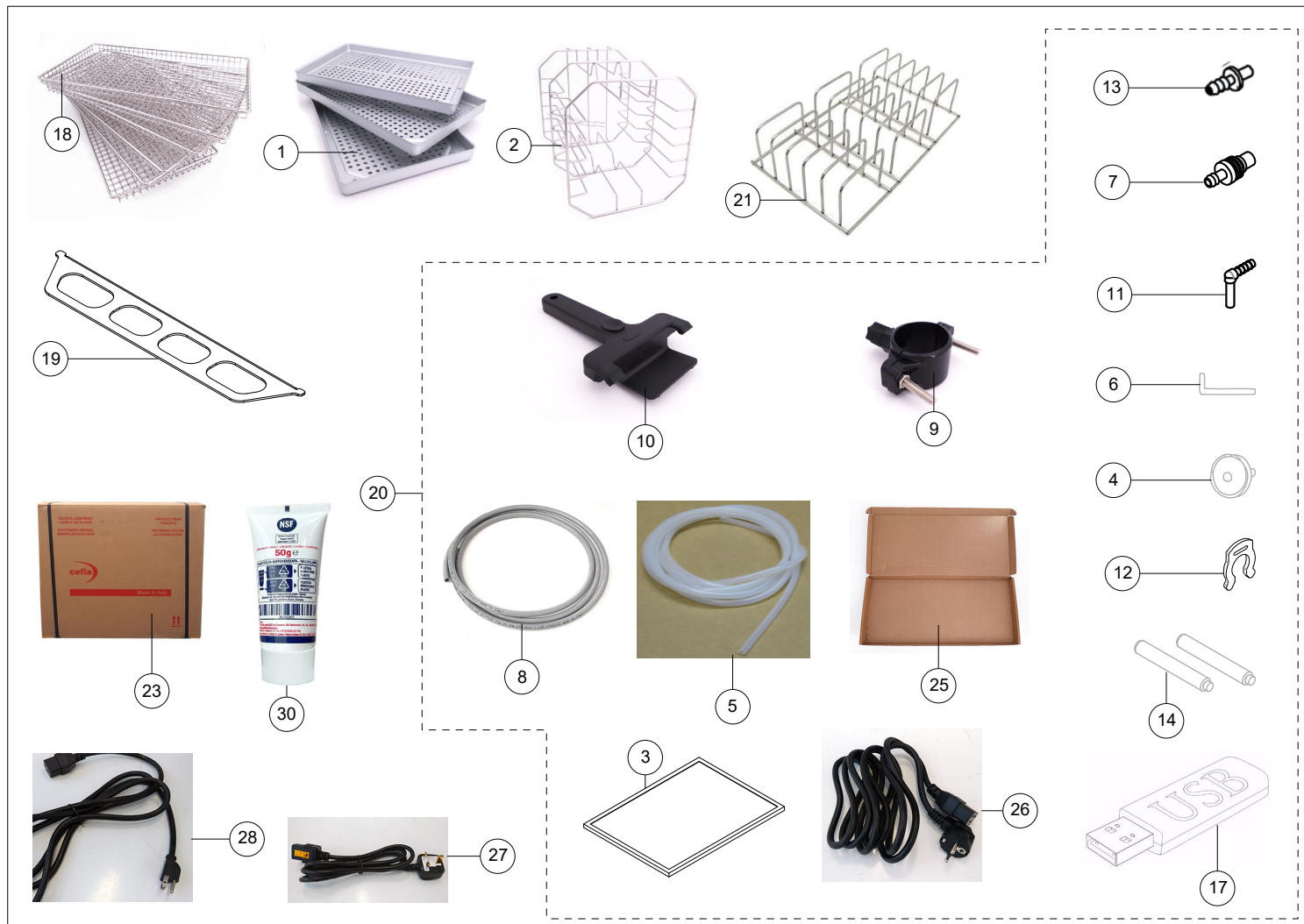




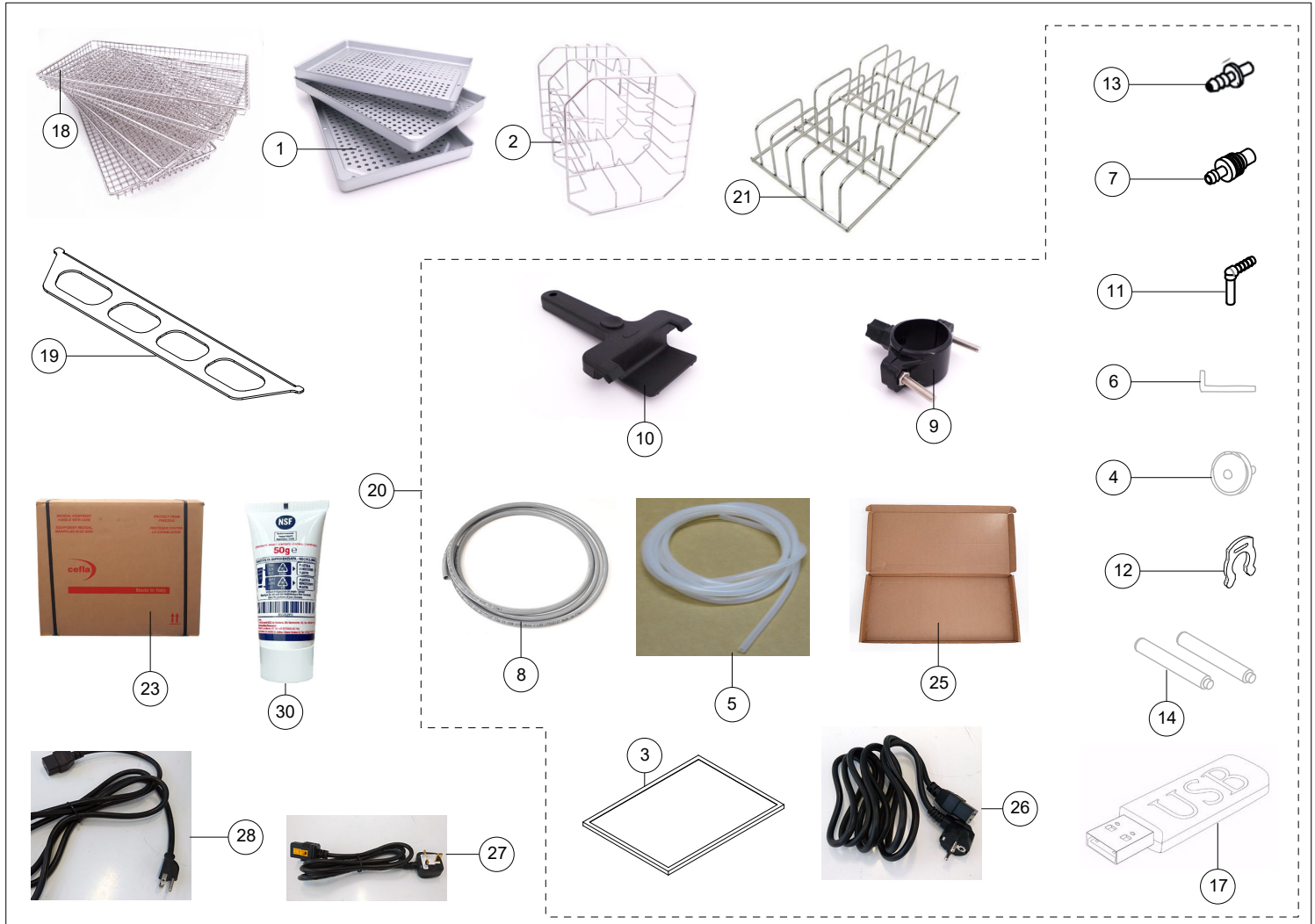
n. Code	Descrizione / Description	Description / Beschreibung	Descripción
1 97467126	CONTROSPORTELLLO INTERNAL DOOR	CONTRE PORTE GEGEN TÜR	CONTRA-PUERTA
2 97467144	SPORTELLLO MOCOM MOCOM DOOR	MOCOM PORTE MOCOM TÜR	MOCOM PUERTA
3 97467124	TAPPO MOCOM MOCOM PLUG	BOUCHON MOCOM VERSCHL. MOCOM	TAPÓN MOCOM
4 99951479	LAMIERA COPERTURA COVER PLATE	TOLE COUVERTURE ABDECK.SBLECH	CHAPA COBERTURA
5 51447093	VITE AUT TPS CRO 3X12 CSK CR.HD TAPPING SCR 3X12	VIS AUTOT. TF PLATE CHR. 3X12 SENKSCHEIDSCHRAUBE KREUZ 3X12	TORN AUT C/PLANA AVELL CR 3X12
6 99951201	PERNO SPORTELLLO DOOR PIN	PIVOT PORTE BOLZEN FÜR KLAPPE	PERNO PUERTA
7 55103002	ANELLO BENZIG RS3.2 BENZIG RS3.2 RING	BAGUE BENZIG RS3.2 RING BENZIG RS 3.2	ANILLO BENZING RS3.2
8 53107004	ROND D=4,3X9 S=0,8 NYLON WASHER D=4,3X9 S=0,8 NYLON	RONDELLE D=4,3X9 S=0,8 NYLON UNTERLEGS. D=4,3X9 S=0,8 NYLON	ARAND. D=4,3X9 S=0,8 NYLON
9 51467003	VITE AUT T/BOMB 3X12 A2 ROUND HEAD TAPPING SCR 3X12 A2	VIS AUTOT. TÊTE BOMBÉE 3X12 A2 LINSENKSCHEIDSCHRAUBE 3X12 A2	TORN AUT C/ABOMB 3X12 A2
19 97783239			



n. Code	Descrizione / Description	Description / Beschreibung	Descripción
1 95530418	ASS COPERCHIO SERBATOIO TANK COVER ASSEMBLY	ENS.COUPER.RESERVOIR TANKABDECKUNG GR.	GR. TAPA DEPOSITO
2 97467136	COPERTURA SUPERIORE TOP COVER	CARTER SUPÉRIEUR OBERE ABDECKUNG	COBERTURA SUPERIOR
3 97467135	COPERTURA LATERALE SX LH SIDE COVER	CARTER LATÉRAL GAUCHE SEITLICHE ABDECKUNG LINKS	COBERTURA LATERAL IZDA
5 97467134	COPERTURA LATERALE DX RIGHT SIDE COVER	CARTER LATÉRAL DROIT ABDECKUNG RECHTS SEITLICH	CUBIERTA LATERAL DERECHA
6 51262010	VITE T/BOMB EI M4X8 10.9 T/BOMB SCREW EI M4X8 10.9	VIS T/BOMB EI M4X8 10.9 SCHRAUBE T/BOMB EI M4X8 10.9	TORNILLO T/BOMB EI M4X8 10.9
7 99950002	VITE T.CIL.CROCE ZIGR.SOTT.4X8 CROSSHEAD SCREW M4X8 A2	VIS TC CRUCIFORME M4X8 A2 KR-SCHLITZSCHRAUBE ZK M4X8 A2	TORNILLO C/CIL CRUZ M4X8 A2
8 97460388	TAPPO CIL D 14 BIANCO LUC GLOSS WHITE PLUG - D=14 MM	BOUCHON BLANC BRILLANT - D = 1 VERSCHLUSS WEISS GLÄNZEND - D	TAPÓN BLANCO BRILLANTE - D=14



n. Code	Descrizione / Description	Description / Beschreibung	Descripción
1 99951317	VASSOIO ALLUMINIO 17 LT 17 LT ALUMINIUM TRAY	PLATEAU ALUMINIUM 17LT TABLETT AUS ALUMINIUM 17 L	BANDEJA ALUMINIO 17LT
2 99950390	PORTATRAYS 17 LT TRAY HOLDER 17 LT	PORTE-PLATEAUX 17 LT TRAYHALTER 17 LT	PORTABANDEJAS 17 LT
3 99951019	FILTRO ANTIPOLVERE ANTI DUST FILTER	FILTRE ANTI-POUSSIÈRE STAUBSCHUTZFILTER	FILTRO ANTIPOLVO
4 97290160	FILTRO BATTERIOLOG 0.2 0.2 BACTERIOLOGICAL FILTER	FILTRE BACTERIOLOG. 0.2 BAKTERIOLOGISCHER FILTER 0.2	FILTRO BACTERIOLOGICO 0.2
5 97340129	TUBO SILICONE 6X10 SILICONE PIPE 6 X 10	TUYAU SILICONE 6X10 SILIKONROHR 6X10	TUBO SILICONA 6X10
6 58008036	CHIAVE BRUGOLA S5 S5 HEX WRENCH	CLE MALES S5 INBUSSCHLÜSSEL S5	LLAVE 5S
7 97550099	INNESTO PIPU80-PG8 PIPU80-PG8 PLUG-IN	JOINT PIPU80-PG8 GRAFT PIPU80-PG8	CONEXION PIPU80-PG8
8 97340232	TUBO POLIURETANO 6X8 GRIGIO POLYURETHAN 6X8 GREY TUBE	TUYAU POLYURETHANE 6X8 GRIS POLYURETHAN-SCHLAUCH 6X8 GRAU	TUBO POLIURETANO 6X8 GRIS
9 97560045	RACC SCAR CONCENTR/TUBO1/4 DISCH CONCENTR/TUBE1/4 CONNECT	RACCORD SCAR CONC/TUYAU1/4 KONZENT. ABLAUFST/SCHLAUCH 1/4	CONEX. SCAR CONC/TUBO1/4
10 97467066	ESTRATTORE VASSOI TRAYS EJECTOR	EJECTEUR PLATEAU ENTNAHMEVORRICHTUNG TRAYS	EXTRACTOR BANDEJA
11 97440049	COD.PORTAGOMMA GOM.1/4X1/4 1/4X1/4 RUB HOSE ADAPT CONNECT	EMBOUT P.-TUYAU COUDÉ 1/4X1/4 WINKEL-SCHL.ANSCHL. 1/4X1/4	MANGO PORTAGOMA CODO 1/4X1/4
12 97550086	CLIP BLOCCA PINZETTA 1/4" 1/4" PINCERS BLOCKING CLIP	CLIP BLOC PINCETTE 1/4" SAFETY CLIP -(THERMOPL-POLYURE	CLIP BLOQUE PINZA 1/4"
13 97960068	RACC P.GOMMA CODOLO TUBO 1/4 TUBE 1/4 SHANK HOSE ADAPT CONN	CONEC.GOMME QUEUE 1/4 SCHL.ANSCHLUSS SCHL.ENDST. 1/4	CONEC.GOMA ESPIGA 1/4
14 99950961	DISTANZIALE POSTERIORE REAR SPACER	ECARTEMENT POSTERIEUR HINTEN SPACER	DISTANCIADOR TRASERO



n. Code	Descrizione / Description	Description / Beschreibung	Descripción
17 97668162	USB PEN 2.0 8GB USB PEN 4GB	CLÉ USB 2.0 8GB USB-STICK 2.0 8GB	MEMORIA USB 2.0 8 GB
18 99950543	VASSOIO IN FILO 17 LT WIRE TRAY TYPE 17L	PLATEAU EN FIL TYPE 17L DRAHTTABLETT TYPE 17L	BANDEJA ALAMBRE TYPE 17L
19 99951438	MENSOLA PORTATRAY 17L 17 LT TRAYHOLDER BRACKET	PLATEAU PORTETRAY 17LT BRETT TRAYTABLETT 17L	BANDEJA PORTA-TRAY 17LT
20 95509242	DOTAZIONE AUTOCLAVE AUTOCLAVE EQUIPMENT	OUTILS AUTOCLAVE AUSST. AUTOKLAV	DOTACION AUTOCLAVE
21 99950394	PORTABUSTE SLEEVES HOLDER	PORTE-SACS BEUTELHALTER	PORTA-BOLSOS
23 95530404	ASS IMBALLO PACKAGING ASSY	ENS EMBALLAGE EINH. VERPACKUNG	CONJ. EMBALAJE
25 97920807	SCATOLA ACCESSORI (550X270X40) ACCESSORY BOX (550X270X40)	BOITE ACCESS. (550X270X40) ZUBEHOERKASTEN (550X270X40)	CAJA ACCES. (550X270X40)
26 97526185	CAVO ALIM 3X1,5 C19-SCHUKO C19-SCHUKO CHARGER CABLE 3X1,5	CABLE ALIM.3X1,5 C19-SCHUKO VERSORG.KABEL 3X1,5 C19-SCHUKO	CABLE ALIM.3X1,5 C19-SCHUKO
27 97526202	CAVO ALIM3X1,5 C19-BS1363UK C19-BS1363UK CHARG CABLE 3X1,5	CABLE ALIM.3X1,5 C19-BS1363UK VERSORGUNGSKABEL 3X1,5 C19-BS1	CABLE ALIM.3X1,5 C19-BS1363UK
28 97526215	CAVO ALIM SJTW 3XAWG14 C19-NEM SJTW 3XAWG14 C19-NEM CHAR CABL	CABLE ALIM.SJTW 3XAWG14 C19NEM VERSORGUNGSKABEL SJTW 3XAWG14	CABLE ALIM.SJTW 3XAWG14 C19NEM
30 97850038	TUBETTO GRASSO NILEX EP1 50GR NILEX EP1 50GR GREASE TUBE	TUYAU GRAISSE NILEX EP1 50GR SCHMIERETUBE NILEX WP1 50GR	TUBO GRASA NILEX EP1 50GR



1



4



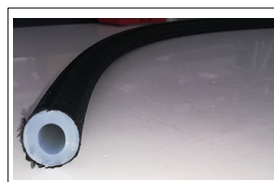
2



5



3



8



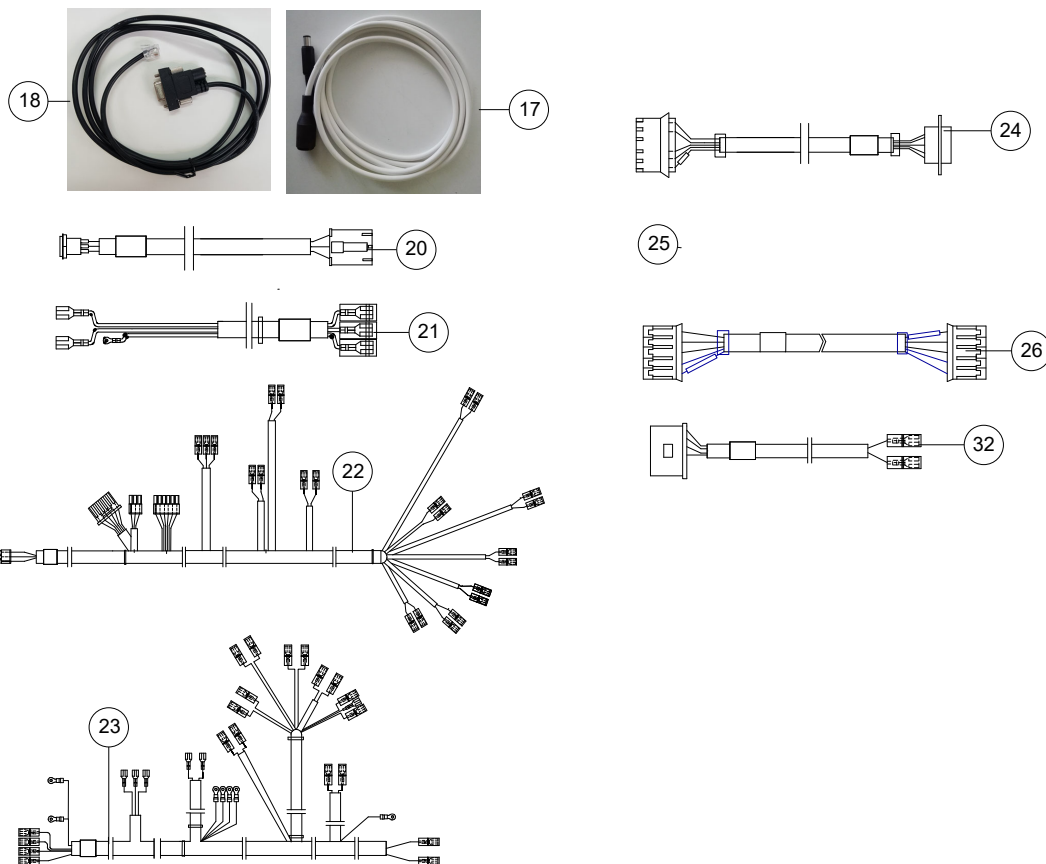
6



9

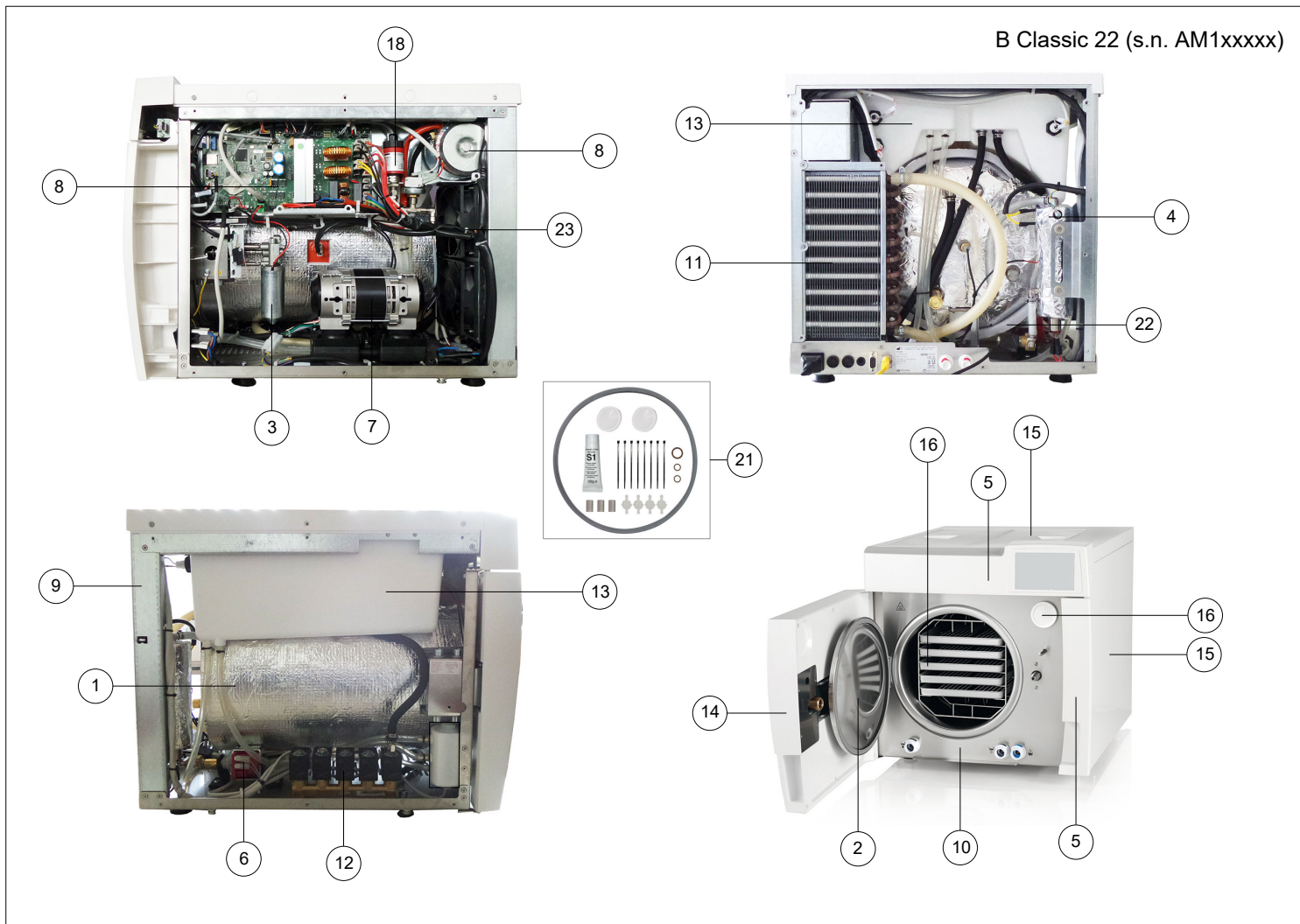
n. Code	Descrizione / Description	Description / Beschreibung	Descripción
1 97340142	TUBO 4X2.5 FEP 140 Teflon pipe FEP 140 4x2.5 mm.	Teflon pipe FEP 140 4x2.5 mm. Teflon pipe FEP 140 4x2.5 mm.	Teflon pipe FEP 140 4x2.5 mm.
2 97340129	TUBO SILICONE 6X10 SILICONE PIPE 6 X 10	TUYAU SILICONE 6X10 SILIKONROHR 6X10	TUBO SILICONA 6X10
3 97340131	TUBO SILICONE D=6X12 CALZ NERO SILICONE PIPE 6X12	TUYAU SILICONE 6X12 SILIKONROHR 6X12	TUBO SILICONA 6X12
4 97340232	TUBO POLIURETANO 6X8 GRIGIO POLYURETHAN 6X8 GREY TUBE	TUYAU POLYURETHANE 6X8 GRIS POLYURETHAN-SCHLAUCH 6X8 GRAU	TUBO POLIURETANO 6X8 GRIS
5 97340141	TUBO SILIC 6X13 GRIGIO-NERO SILIC.TUBE 6X12 GREY-BLACK	TUYAU SILIC. 6X12 GRIS-NOIR SILIKONSCHL. 6X12 GRAU-SCHWARZ	TUBO SILIC 6X12 GRIS-NEGRO
6 97150006	FASCETTA CLIC 66-120 CLIC STRIP 66-120	BANDE CLIC 66-120 BAND CLIC 66-120	ABRAZADERA CLIC 66-120
8 97340224	TUBO SILICONE 10X20 TRECCIATO BRAIDED 10X20 SILICON TUBE	TUYAU SILICONE 10X20 TRESSE SILIKONSCHLAUCH 10X20 VERDRILL	TUBO SILICONA 10X20 TRENZADO
9 97815296	MOLLA BIFILARE BIFM202059 BIFM202059 TWO WIRE SPRING	RESSORT BIFILAIRE BIFM202059 ZWEIFÄDIGE FEDER BIFM202059	MUELLE BIFILAR BIFM202059





n. Code	Descrizione / Description	Description / Beschreibung	Descripción
17 97526232	PROLUNGA POMPA DI CARICO LOADING PUMP EXTENSION	RALLONGE POMPE DE CHARGEMENT LADEN VERLAENGERUNGSPUMPE	EXTEN.BOMBA DE CARGA
18 97526245	CABL. AUTOCLAVE-STAMPANTE STD STD PRINTER-AUTOCLAVE CABLE	CABLE AUTOCLAVE-IMPRIMANTE STD AUTOKLAVEN/DRUCKER STD. KABEL	CABLE AUTOCLAVE-IMPRESORA STD
20 97526188	CABLAGGIO SISTEMI DI CARICO CHARGING SYSTEM WIRING	CABL. SIST. DE CHARG. VERKABELUNG BEFÜLLUNGSSYSTEME	CABL. SISTEMA DE DESCARGA
21 97526186	CABLAGGIO FUSIBILI FUSES WIRING	CABL. FUSIBLE VERKABELUNG SICHERUNGEN	CABL. FUSIBLES
22 97526187	CABLAGGIO BASSA TENSIONE LOW VOLT.WIRING	CABL. BAISSSE TENSION VERKABELUNG NIEDERSpannung	CABL. BAJA TENSION
32 97526286	IMP. EL. MICROSWITCH DOOR MICROSWITCH DOOR EL. SYS.	IMP. EL. MICROSWITCH PORTE#N/D ELEKTR. ANL. TÜRMIKROSCHALTER	IMP.EL.MICROSWITCH PUERTA#N/D
23 97526193	CABLAGGIO ALIMENTAZIONE POWER SUPPLY WIRING	CABL. ALIMENTATION VERSORGUNGSVERKABELUNG	CABL. ALIMENTACION
24 97526190	CABLAGGIO PORTA SERIALE SERIAL PORT CABLE	CÂBLE DE PORT SÉRIE SERIELLE KABEL	CABLE DE PUERTO SERIAL
26 97526184	CABLAGGIO USB USB WIRING	CABLAGE USB USB-VERKABELUNG	CABL. USB
25 97526192	CAVO STP SCH X RETI CAT.5E 8PO CAT.5E 8PO NET BOARD STP CABLE	CÂBLE STP BLIN. P/RÉSEAUX CAT. KABEL STP NETZWERKPLAT. KAT.5E	CABLE STP TARJ. PARA REDES CAT

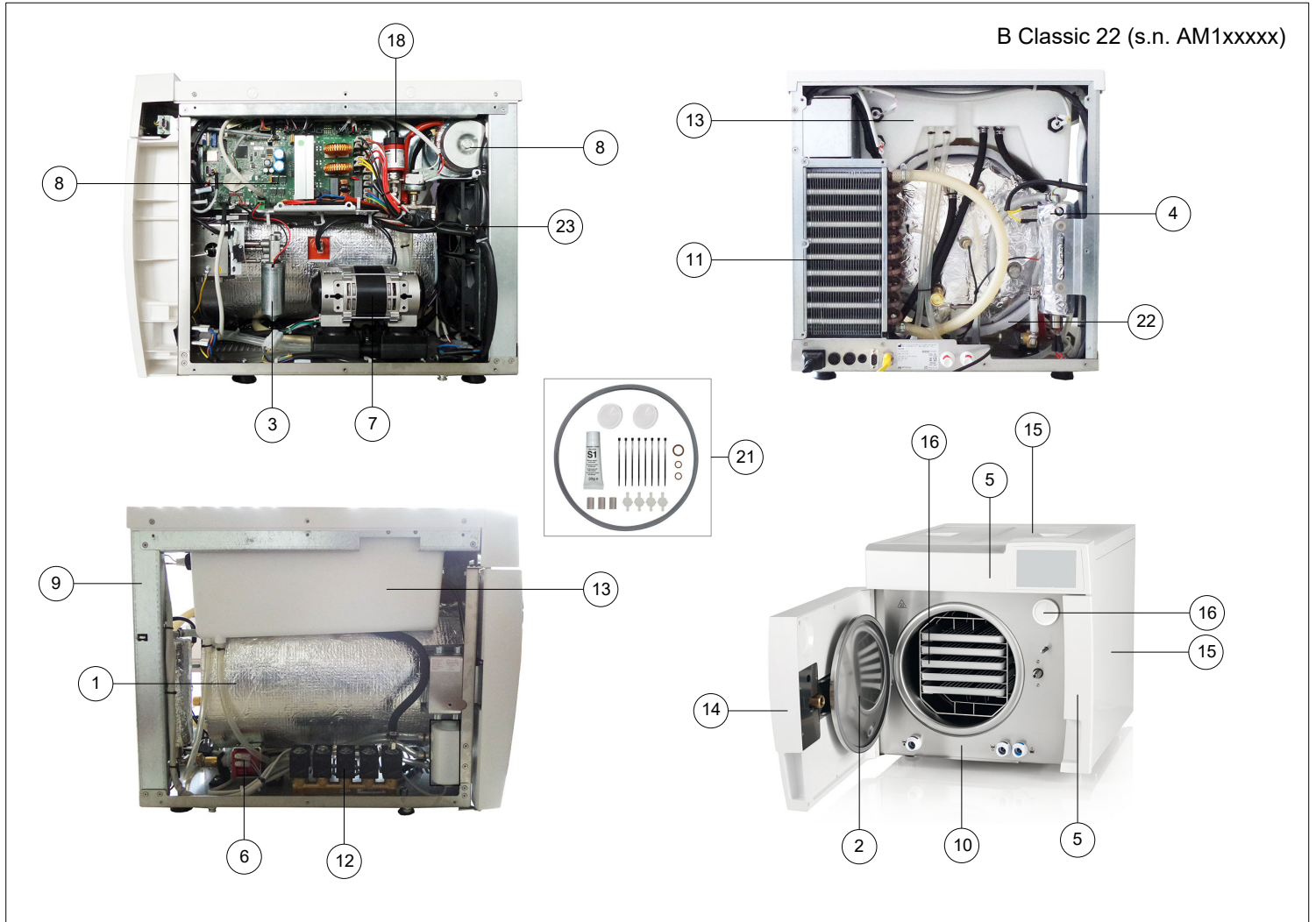
B Classic 22 (s.n. AM1xxxxx)



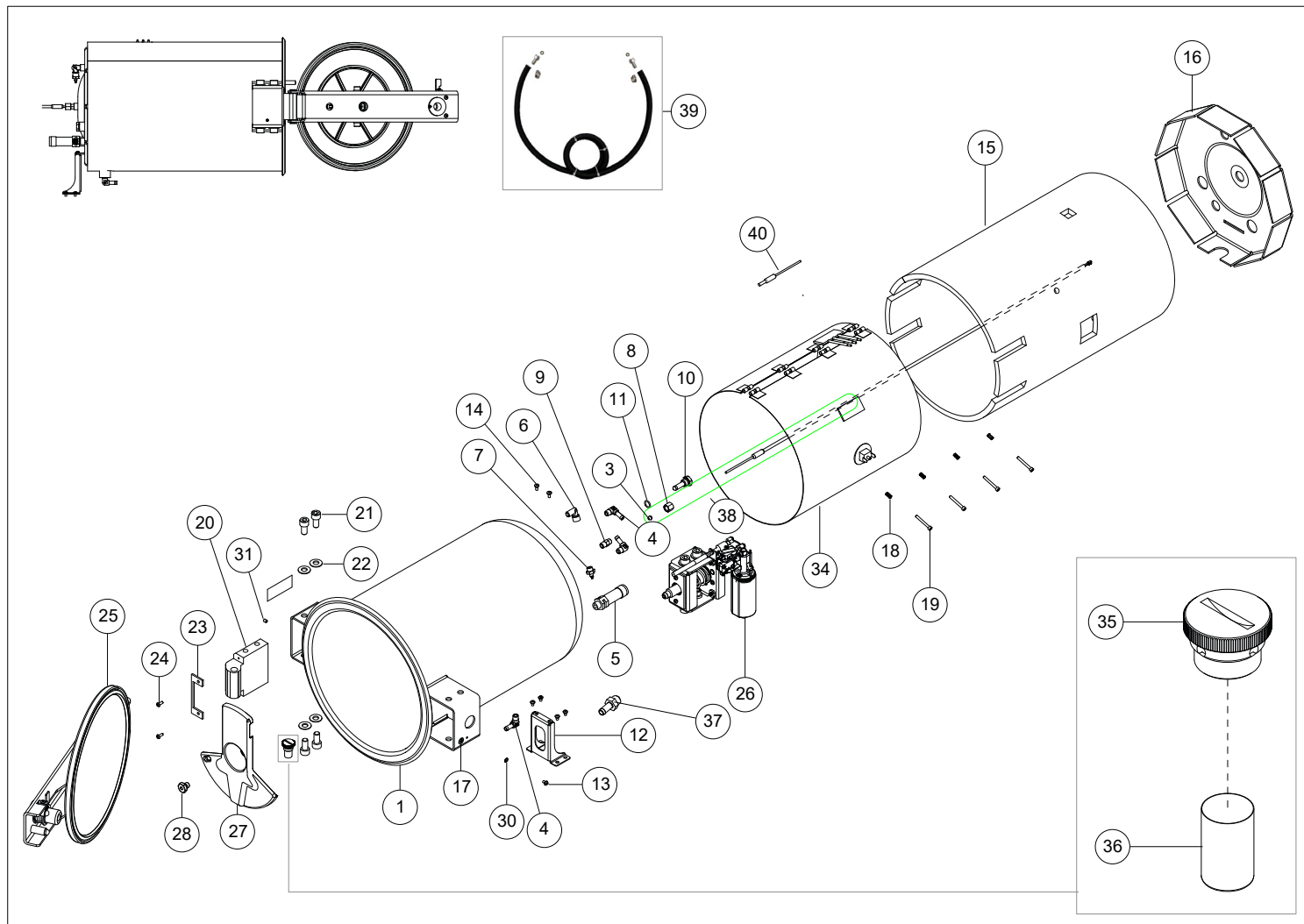
n. Code	Descrizione / Description	Description / Beschreibung	Descripción
1	Assieme caldaia 22lt Boiler assembly 22 l	Ensemble chaudière 22 l Aggregat Kessel 22 l	Conjunto caldera 22lt
2	Assieme oblò 17lt / 22lt Port assembly 17 l / 22 l	Ensemble hublot 17 l / 22 l Tür-Aggregat 17 l / 22 l	Conjunto ventana 17lt / 22lt
3	Assieme sistema di chiusura Locking system assembly	Ensemble système de fermeture Aggregat Verriegelungssystem	Conjunto sistema de cierre
4	Assieme generatore di vapore 230V 230V Steam generator assembly	Ensemble générateur de vapeur 230V 230V Dampfgenerator-Aggregat	Conjunto generador de vapor 230V
5	Fascia laterale / cornice frontale / display Classic Side panel / front frame / Classic display	Bande latérale / cadre frontal / afficheur Classic Seitliche Verkleidung / Rahmen vorne / Display Classic	Banda lateral / marco frontal / pantalla Classic
6	Assieme pompa a vibrazione (generatore di vapore) Vibration pump assembly (steam generator)	Ensemble pompe à vibrations (générateur de vapeur) Vibrationspumpen-Aggregat (Dampfgenerator)	Conjunto bomba de vibración (generador de vapor)
7	Assieme pompa a vuoto HX10P3 Vacuum pump assembly HX10P3	Ensemble pompe à vide HX10P3 Vakuumpumpen-Aggregat HX10P3	Conjunto bomba de vacío HX10P3
8	Assieme scheda Board assembly	Ensemble carte Aggregat Platine	Conjunto tarjeta
9	Traverse e portale Crosspieces and frame	Traverses et portail Querträger und Rahmen	Travesaños y portal
10	Chassis varie Chassis, various components	Châssis divers Chassis, verschiedene Teile	Chasis varias
11	Scambiatore di calore Heat exchanger	Échangeur de chaleur Wärmeaustauscher	Intercambiador de calor
12	Assieme manifold Manifold assembly	Ensemble manifold Manifold-Aggregat	Conjunto manifold
13	Assieme serbatoio carico / scarico Filling/drain tank assembly	Ensemble réservoir de chargement / vidange Aggregat Befülltank / Ablassstank	Conjunto depósito de carga / descarga
14	Assieme sportello Mocom Mocom Door assembly	Ensemble trappe Mocom Aggregat Mocom Türklappe	Conjunto puerta Mocom



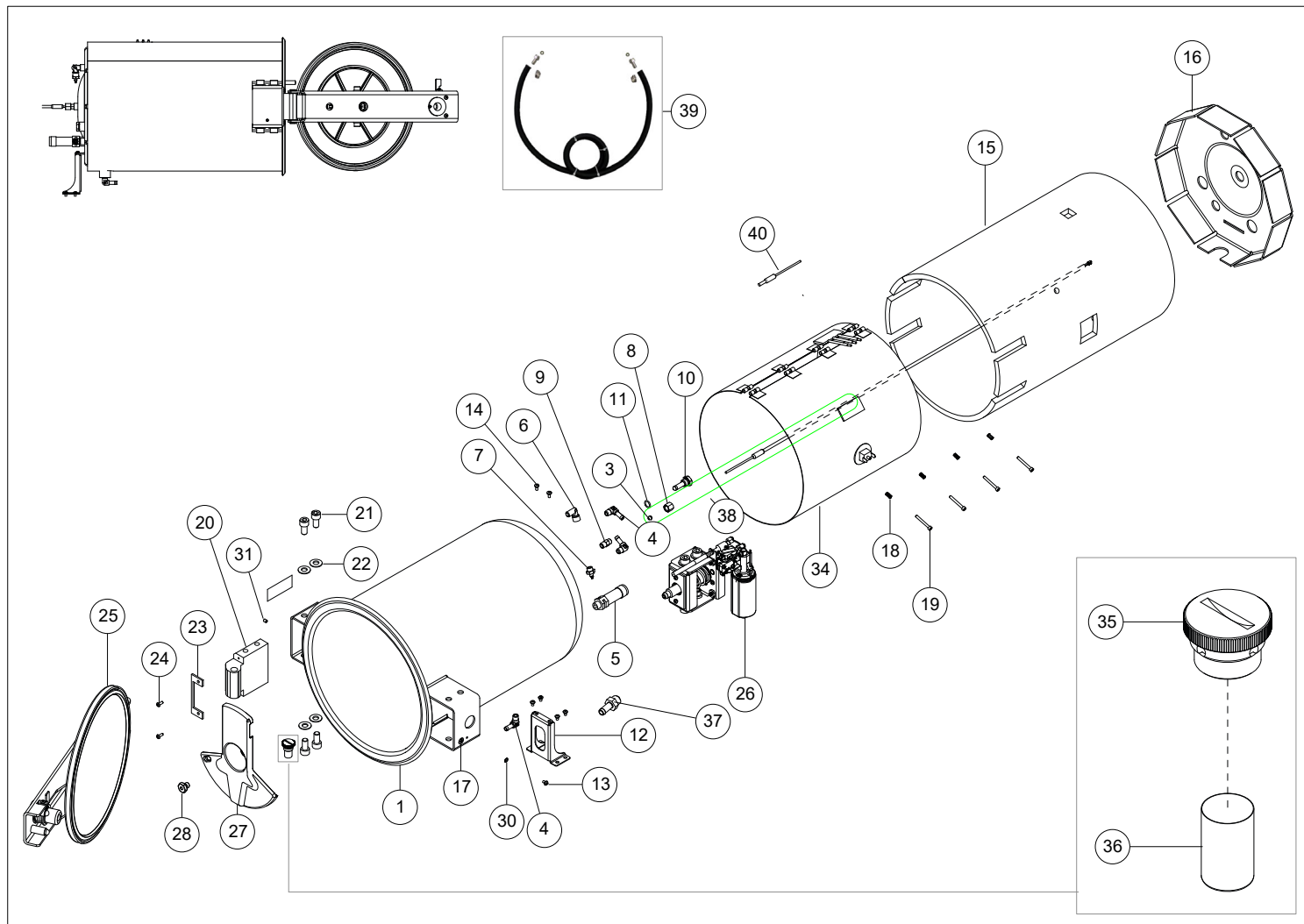
B Classic 22 (s.n. AM1xxxxx)



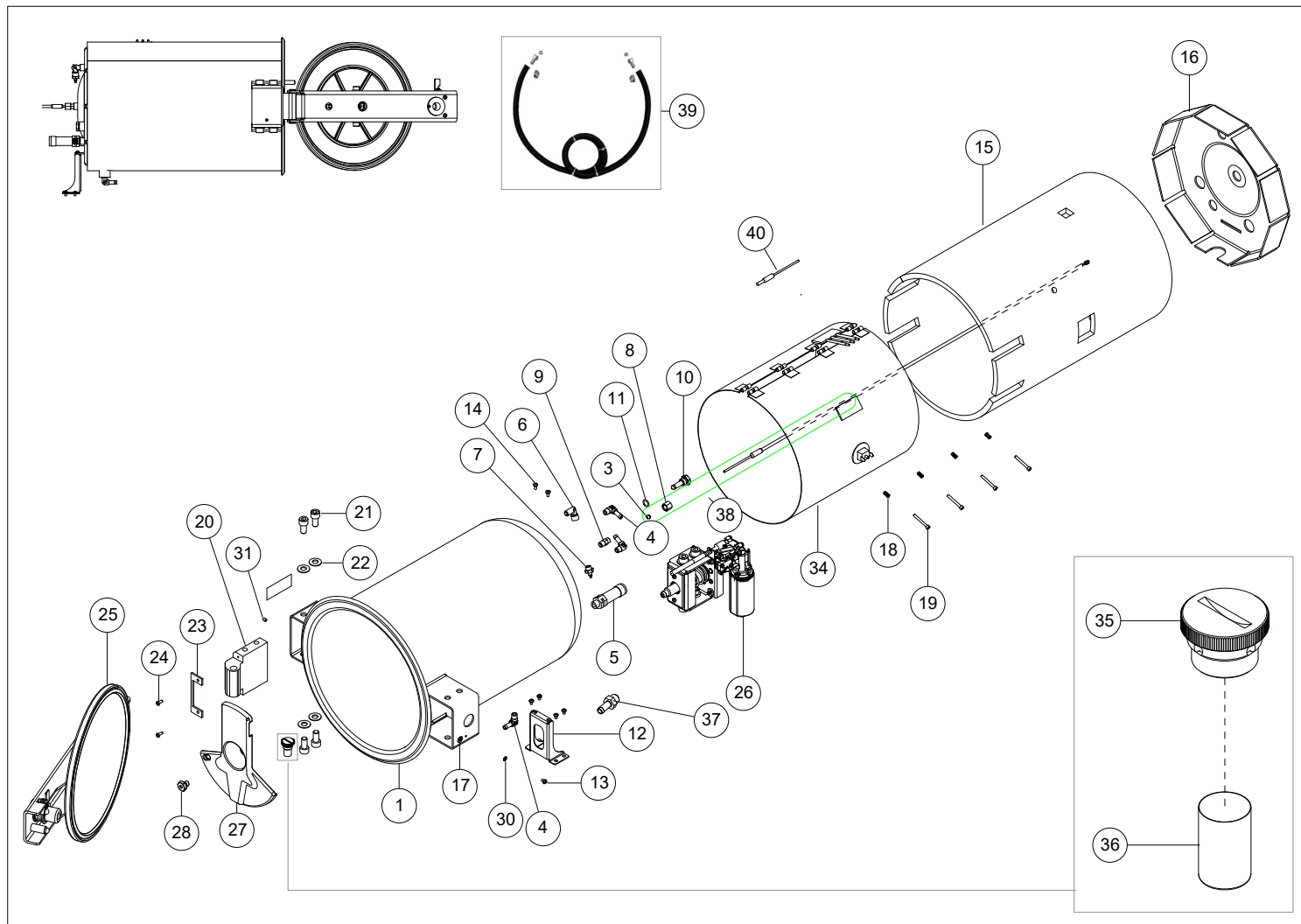
n. Code	Descrizione / Description	Description / Beschreibung	Descripción
15	Coperture Covers	Couvertures Abdeckungen	Coberturas
16	Dotazione (Classic) Equipment (Classic)	Dotation (Classic) Ausstattung (Classic)	Equipamiento (Classic)
18	Assieme trasduttore e pressostato Transducer and pressure switch assembly	Ensemble transducteur et pressostat Einheit Geber und Druckwächter	Conjunto transductor y presostato
21	<b>95509167</b> KIT MANUTENZ. ANNUALE 17/22 LT ANNUAL MAINTENANCE KIT 17/22LT	KIT ENTRETIEN ANNUEL 17/22 LT KIT JÄHRLICHE WARTUNG17/22L	KIT MANTENIMIENTO ANUAL 17/22L
22	Tubazioni - Cablaggi Piping - Wiring	Tuyauteries - Cabalges Rohrleitungen - Kabel	Tuberías - Cableados
23	Cablaggi Wiring	Cabalges Kabel	Cableados



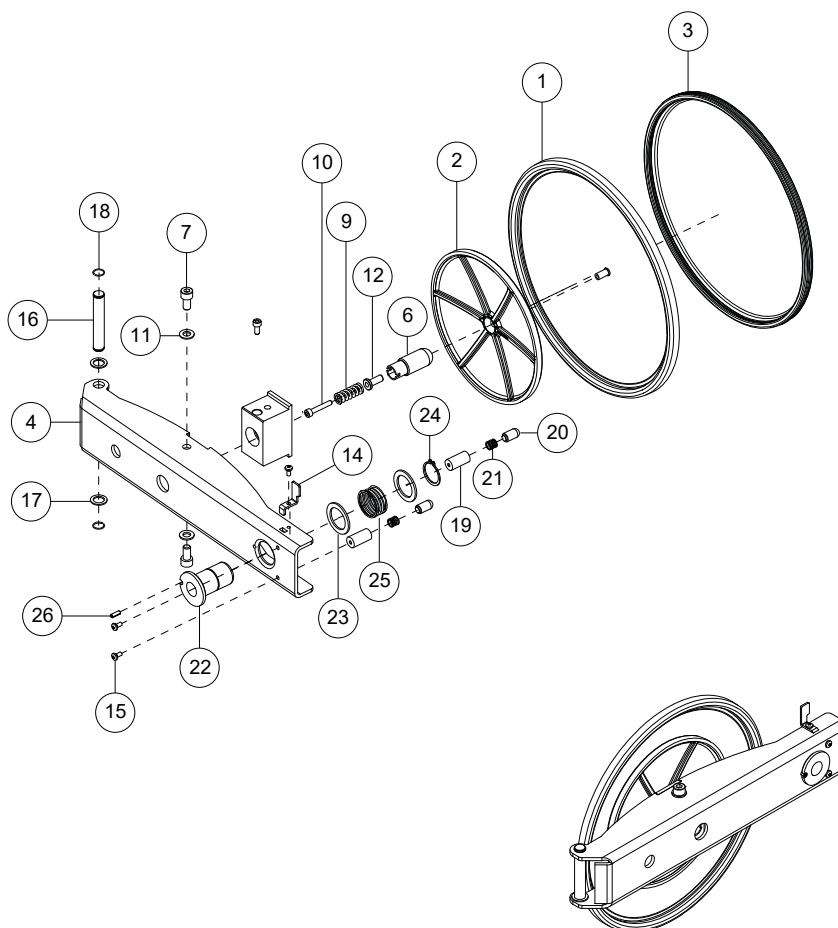
n. Code	Descrizione / Description	Description / Beschreibung	Descripción
1	99951886		
3	99950030 RACC SONDA PROBE FITTING	RACCORD SONDE SONDENANSCHLUSS	EMP SONDA
4	99950946 RACC. P.GOMMA ANG M G1/8 D7,9 M G1/8 D7.9 ANG HOSE CONNECTR	RACC.P.TUYAU COUDÉ M G1/8 D7,9 WINKELSCHL.ANSCHL. M G1/8 D7,9	CONEX PORTAG ANG M G1/8 D7,9
5	97290156 VALVOLA SIC.TUV 1/4" T2.4 BAR SAFETY VALVE 1/4-T 2.4 BAR"	CLAPET/SÛRETÉ 1/4-T 2.4 BAR" SICHERHEITSV. 1/4-T 2.4 BAR"	VALVULA SIC 1/4-T 2.4 BAR"
6	97960028 RACC ANG FM G1/8 ANG FITTING FM G1/8	RACC. ANG. FM G1/8 WINKEL-ANSCHLUSS FM G1/8	UNION ANG FM G1/8
7	97988600 RACC DIRITTO MASC.1/8 + RESCA STRAIGHT FITTING 1/8 MALE	RACCORD DROIT 1/8 MÂLE CANNELÉ GERADER ANSCHLUSS MÄNNL. 1/8 +	UNIÓN RECTA MACHO 1/8 + ESPIGA
8	99950028 DADO RACC SONDA 12X11.5 PROBE FITTING NUT 12X11.5	ÉCROU RACCORD SONDE 12X11.5 MUTTER F SONDENANSCHL 12X11.5	TUERCA EMP SONDA 12X11.5
9	99950031 RACC SONDA ESAG G1/8 G1/8 HEX PROBE FITTING G1/8 G1/8	RACC. SONDE HEXAG. G1/8 G1/8 SECHSKANTVER. SONDE G1/8	UNION SONDA ESAG G1/8 G1/8
10	99951447 RACC. TAPPO CON FERMO BRAKE CAP CONNECTOR	CONEC. BOUCH. AVEC ARRET ANSCHL. DECKEL MIT VERSCHLUSS	CONEX. TAPA CON TOPE
11	97360013 OR 1,78X11,11 VITON 75 SHA OR 1.78X11.11	JOINT TORIQUE 1,78X11,11 O-RING 1,78X11,11	OR 1,78X11,11
12	99950989 STAFFA SUPPORTO CALDAIA BOILER SUPPORT BRACKET	SUPPORT DE CHAUDIÈRE KESSEL-HILFS-KLAMMER	SOPORTE DE CALDERA
13	99950001 VITE T.CIL.CROCE ZIGR.SOTT.4X6 SOCKET HEAD SCREW M4X6 A2	VIS TC CRUCIFORME M4X6 A2 KR-SCHLITZSCHRAUBE ZK M4X6 A2	TORNILLO C/CIL CRUZ M4X6 A2
14	99950002 VITE T.CIL.CROCE ZIGR.SOTT.4X8 CROSSHEAD SCREW M4X8 A2	VIS TC CRUCIFORME M4X8 A2 KR-SCHLITZSCHRAUBE ZK M4X8 A2	TORNILLO C/CIL CRUZ M4X8 A2
15	99951022 PANNELLO TERMOISOL.22 LT HEAT INSULATING PANEL 22LT	PANNEAU THERMO-ISOLANT 22LT WÄRME ISOLIERENDE PANEL 22LT	PANEL AISLANTE DE CALOR 22LT



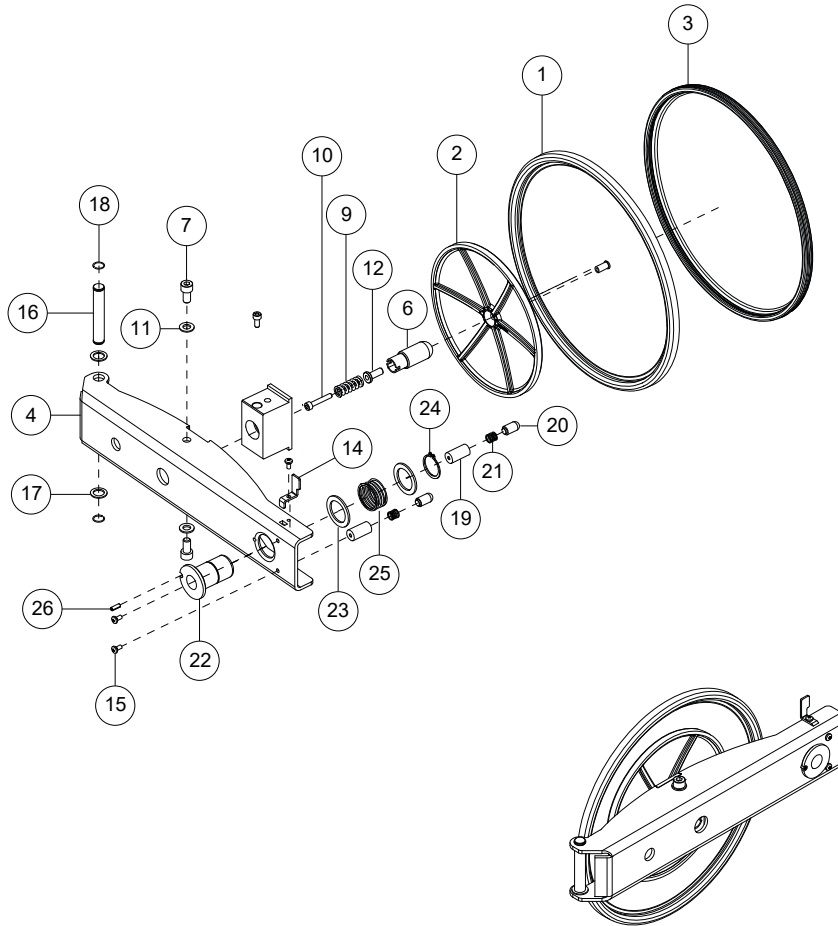
n. Code	Descrizione / Description	Description / Beschreibung	Descripción
16 99951021	PANNELLO TERMOIS.POST.17-22 REAR HEAT INSULATING PANEL 17-	ISOLANT THERMIQUE CONTRE-FEU 1 RÜCKSEITE WÄRME ISOLIEREND 17-	PANEL AISLANTE DE CALOR 17-22L
17 97780158	TARGA MASSA D=10MM FONDO GROUND PLATE D=10MM	PLAQUE MASSE D=10MM SCHILD ERDUNG	PLACA MASA
18 97815248	MOLLA C D7,3 DF 1 LF10 D7.3 DF 1 LF10 C SPRING	RESSORT C D7,3 DF 1 LF10 FEDER C D7,3 DF 1 LF10	MUELLE C D7,3 DF 1 LF10
19 FM111C440	VITE TCEI M4X40 ZINC TCEI SCREW M4X40 GALV	VIS TCHC M4X40 ZING SCHRAUBE TCEI M4X40 VERZ	TORNILLO TCEI M4X40 CINC
20 99951476	STAFFA FULCRO PIVOT BRACKET	ETRIER CENTRE ANSCHWENKBÜGEL	SOPORTE FULCRO
21 51232019	VITE TCEI M10X20 8.8 SCREW TCEI M10X20 8.8	VIS TCEI M10X20 8.8 SCHRAUBE TCEI M10X20 8.8	TORNILLO TCEI M10X20 8.8
22 53104124	NON FORNIBILE NOT AVAILABLE	NON DISPONIBILE A LA VENTE NICHT LIEFERBAR	NO SUMINISTRABLE
23 99951467	DISTANZIALE LATO CERNIERA HINGE SIDE SPACER	ENTRETOISE COTE CHARNIERE Distanzst. Scharnierseite	DISTANCIADOR LADO CREMALLERA
24 51262070	VITE T/BOMB EI M4X10 INOX T/BOMB SCREW EI M4X10 INOX	VIS T.BOMBÉE EI M4X10 INOX LINSKOPFSCHRAUBE EI M4X10 ED	TORNILLO C/ABOMB. EI M4X10 ACE
25 95530864	ASS GRUPPO CALDAIA 17-22 L ASS GRUPPO CALDAIA 17-22 L	ASS GRUPPO CALDAIA 17-22 L ASS GRUPPO CALDAIA 17-22 L	ASS GRUPPO CALDAIA 17-22 L
26 95530817	ASS GRUPPO CHIUSURA A VITE SCREW CLOSING GROUP	GR. FERMETURE A VIS SCHRAUBENSCHLISSGRUPPE	JUN.GR.CIERRE A TORNILLO
27 97467185	COPERTURA CONNETTORI CONNECTORS COVER	COUVERTURE CONNECTEURS ABDECKUNG STECKVERBINDER	COBERTURA CONECTORES
28 99951446	DADO FISS. DIFFUSORE DIFFUSER FIXING NUT	VIS FISS. DIFFUSEUR BEF.MUTTER STREUSCHEIBE	TORN. FIJ. DIFUSOR
30 53135028	ROND DENT EST D 4 Z.D.BIANCA INDENT.WASHER EST D 4 Z.D.WHIT	RONDELLE DENTELÉE EXT D 4 G.D. ZAHNSCHEIBE AUSS. D 4 Z.D.WEIS	ARAND. DENT. EXT. D 4 C.D. BLA



n. Code	Descrizione / Description	Description / Beschreibung	Descripción
31 51272004	GRANO EI M5X6 PI 12.9 GRUB SCREW EI M5X6 PI 12.9	VIS. EI M5X6 PI 12.9 GEWINDESTIFT EI M5X6 PI 12.9	TORN. EI M5X6 PI 12.9
34 97650043	ETCHED FOIL 22LT 115+115V ETCHED FOIL RESISTOR 22LT 115	ETCHED FOIL RÉSISTANCE 22LT 11 ETCHED FOIL WIDERSTAND 22LT 11	ETCHED FOIL RESISTENCIA 22LT 1
35 99950987	RACC PORTAFILTRO CON INTAGL FILTER CARRIER COUPL W/CUTTING	RACC.PORTE-FILTRE AVEC CRÉNEAU ANSCHL. FILTERHALTER MIT NUT	CONEX PORTAFILTRO CON CORTE
36 97290210	FILTRO ASS SERBATOIO TANK WATER FILTER	FILTRE EAU RÉSERVOIR FILTER FÜR WASSER BEHÄLTER	FILTRO AGUA DEPÓSITO
37 99950948	RACC. P.GOMMA DIR M G1/8 D7,9 M G1/8 D7.9 STR HOSE CONNECTR	RACC.P.-TUYAU DR.M G1/8 D7,9 GER. SCHL.ANSCHL. M G1/8 D7,9	CONEX PORTAG RECT M G1/8 D7,9
38 95509175	KIT RICAMBIO PT1000 PT100 SPAREPART KIT	KIT RECHANGE PT1000 ERSATZKIT PT100	KIT RECAMBIO PT1000
39 95509245	COLL. CALDAIA_MPX TUBO TELATO REINF. HOSE MPX_BOILER CONN.	COLL. CHAUD_MPX TUYAU BACHÉ BUND KESSEL_MPX SCHL M. GEWEB.	COL. CALDERA_MPX TUBO DE LIENZ
40 97668171	SONDA PT1000 D.4X50 (PT3) PT1000 D.4X50 (PT3) PROBE	SONDE PT1000 D.4X50 (PT3) PROBE PT1000 D.4X50 (PT3)	SONDA PT1000 D.4X50 (PT3)

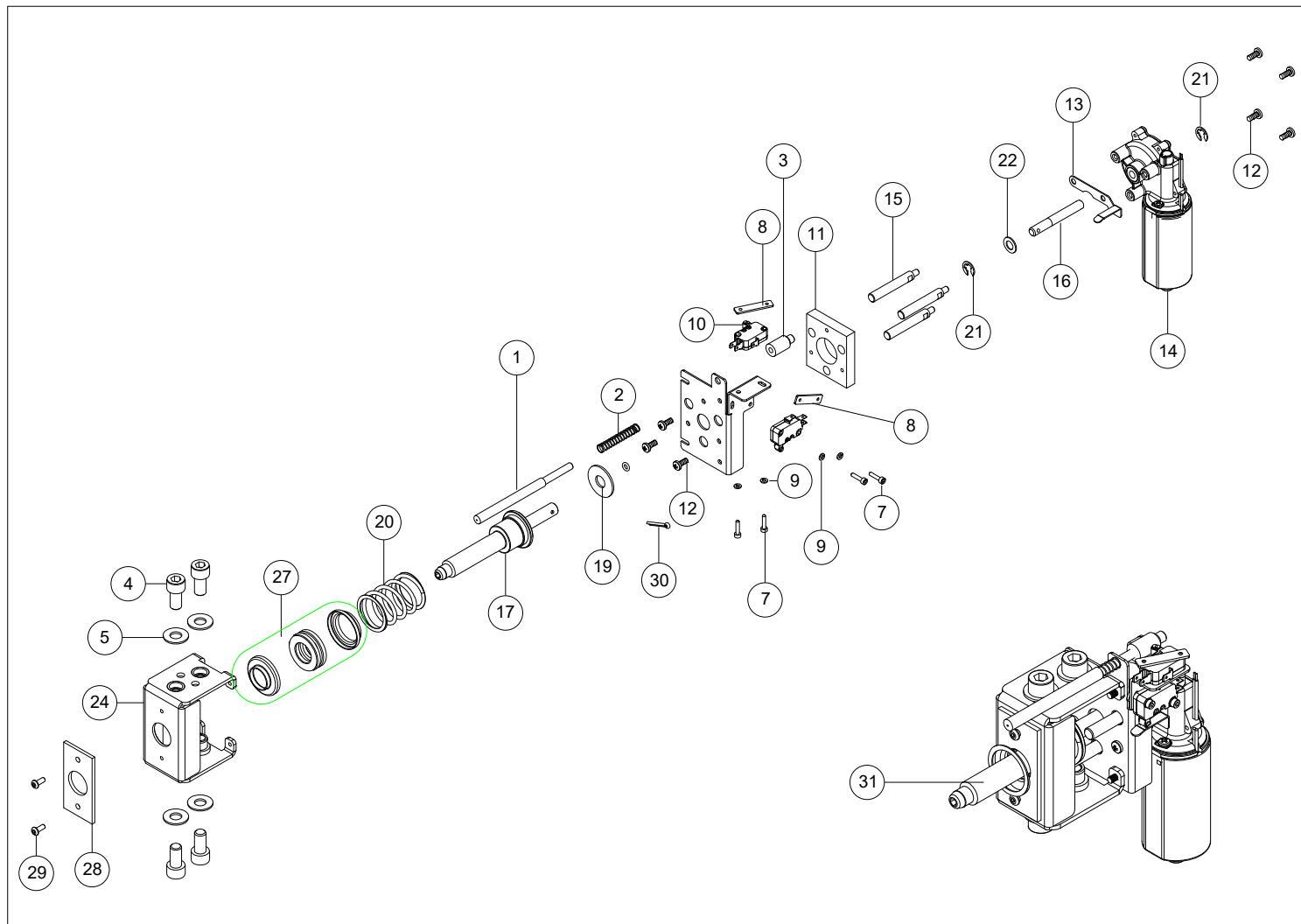


n. Code	Descrizione / Description	Description / Beschreibung	Descripción
1 99951894	PORTHOLE 17-22L PORTHOLE 17-22L	PORTE 17-22L PORTHOLE 17-22L	PUERTA 17-22L
2 99951523	FLANGIA FLANGIA	FLANGIA FLANGIA	FLANGIA
3 97400145	GUARNIZCALDAIA 40/HT-S BOILER GASKET 40/HT-S	JOINT CHAUDIERE 40/HT-S KESSEL DICHTUNG 40/HT-S	JUNTA CALDERA 40/HT-S
4 99950982	TRAVERSA CHIUSURA A VITE CROSS SCREW BAR	TRAVERSER BARRE VISSÉE KREUZ SCHRAUBE BAR	CRUZ TORNILLO BARRA
6 99951219	INSERTO SFERICO SPHERICAL INSERT	INSERT SPHERIQUE KUGELEINSATZ	INSERTO ESFERICO
7 51232089	VITE TCEI M8X16 8.8 M8X16 8.8 TCEI SCREW	VIS TCEI M8X16 8.8 SCHRAUBE TCEI M8X16 8.8	TORNILLO TCEI M8X16 8.8
9 97815262	MOLLA PER OBLO' WINDOW SPRING	RESSORT SPHERE FENSTERFEDER	RESORTE PARA VENTANILLA
10 51232535	NON FORNIBILE NON FORNIBILE	NON FORNIBILE NON FORNIBILE	NON FORNIBILE
11 53104015	ROND D8.4X16 S1.6 R40 WASHER 8.4X17 S 1.6 R40	RONDELLE 8.4X17 S 1.6 R40 BEILEGSCHIEBE 8.4X17 S 1.6	ARAND. D8,4X16 S1,6 R40
12 99951221	BOCCOLA BOCCOLA	BOCCOLA BOCCOLA	BOCCOLA
14 99950984	ANGOLARE ANGULAR BRACKET	SUPPORT ANGULAIRE ECKIGE KLAMMER	SOPORTE ANGULAR
15 99950002	VITE T.CIL.CROCE ZIGR.SOTT.4X8 CROSSHEAD SCREW M4X8 A2	VIS TC CRUCIFORME M4X8 A2 KR-SCHLITZSCHRAUBE ZK M4X8 A2	TORNILLO C/CIL CRUZ M4X8 A2
16 99950986	PERNO CERNIERA HINGE PIN	AXE DE CHARNIÈRE KUPPLUNGSSTAB	PASADOR DE LA BISAGRA
17 53104137	RONDELLE D'APPOGGIO TIPO SS SUPPORT WASHERS TYPE SS	APPUI RONDELLES TYPE SS UNTERSTÜTZUNG WASCHMASCHINEN T	ARANDELAS DE APOYO TIPO SS



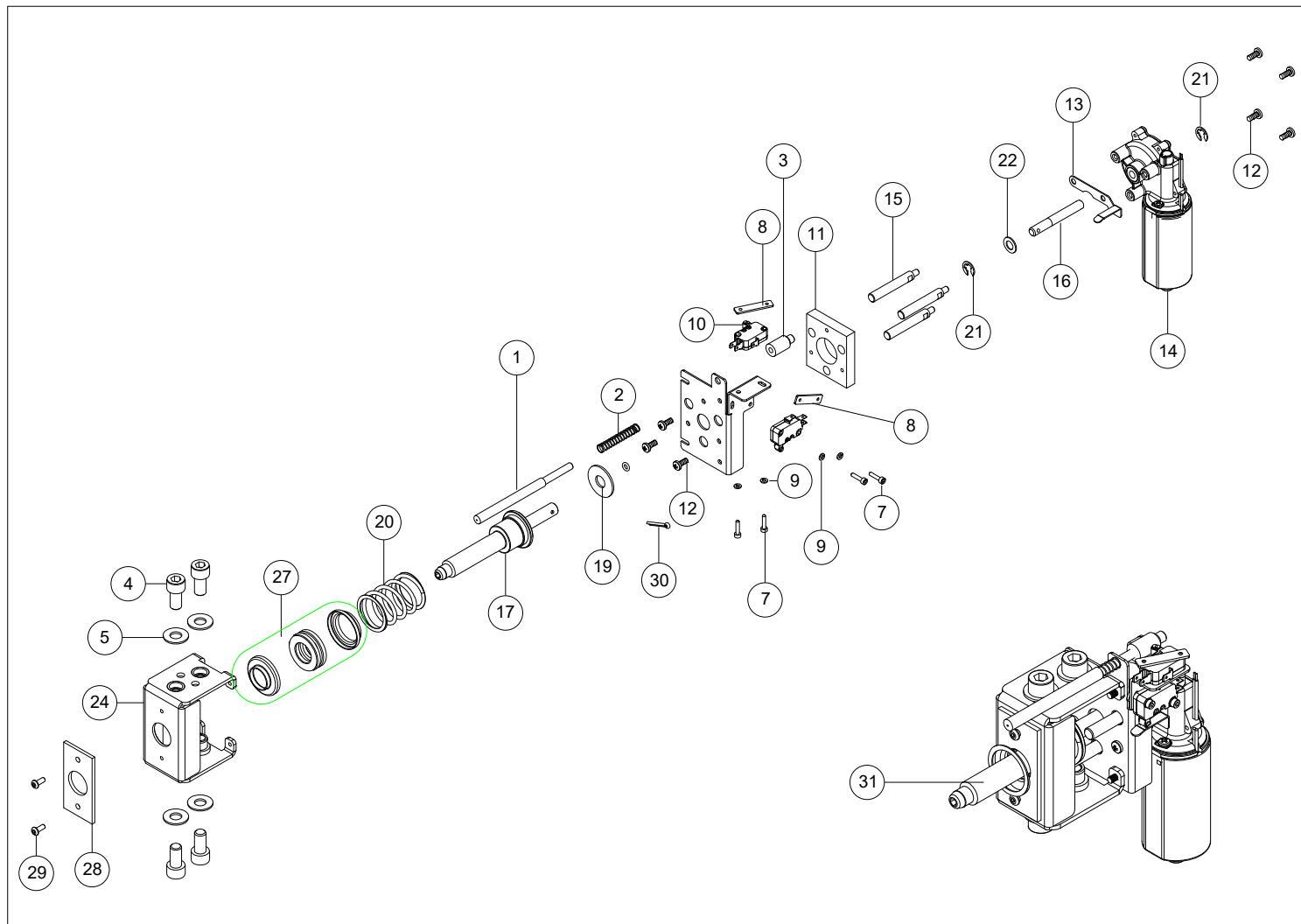
n. Code	Descrizione / Description	Description / Beschreibung	Descripción
18 97200197	ANELLO ARRESTO ALBERO D=12 STOPPING SHAFT RING D=12	ARRET ARBRE BAGUE D=12 STOPPING RING WELLE D=12	DETENER EL EJE DE ANILLO D=12
19 99951044	SUPPORTO SPINTORE SUPPORT PUSHER	POUSSOIR DE SOUTIEN UNTERSTÜTZUNG-SCHIEBER	EMPUJADOR DE APOYO
20 99951043	SPINTORE PUSHER	POUSSOIR SCHIEBER	EMPUJADOR
21 97815199	MOLLA GUIDA CINGHIA BELT GUIDE SPRING	CEINTURE GUIDE RESSORT GÜRTEL-GUIDE-FRÜHLING	CORREA GUÍA DE PRIMAVERA
22 99950963	BOCCOLA TR 16X3 BUSHING TR 16X3	BAGUE TR 16X3 STECKHÜLSE-TR 16X3	BUJE TR 16X3
23 53107027	ROSETTA DI 26.1 DE 36.8 SP 2 SPECIAL WASHER ROSETTE DESIGN	ROSETTE RONDELLE SPÉCIALE DESI SPEZIELLE WASCHMASCHINE ROSETT	ARANDELA ESPECIAL ROSETA DISEÑ
24 55121015	ANELLO SEEGER X ALB D 25 RING SEEGER X ALB D 25	ANNEAU SEEGER X ALB D 25 SEEGER-RING FÜR WELLE D 25	ANILLO SEEGER X ALB D 25
25 97815244	MOLLA BOCCOLA SPRING BUSHING	BAGUE PRINTEMPS FRÜHLING-BUSHING	BUJE DE RESORTE
26 54302017	SPINA TUB ELAS D 4X12 ELASTIC HOSE PLUG D 4X12	GOUP. TUBE ELAST. D 4X12 SCHLAUCHSTECKER D 4X12	PASADOR TUB. ELÁS. D 4X12



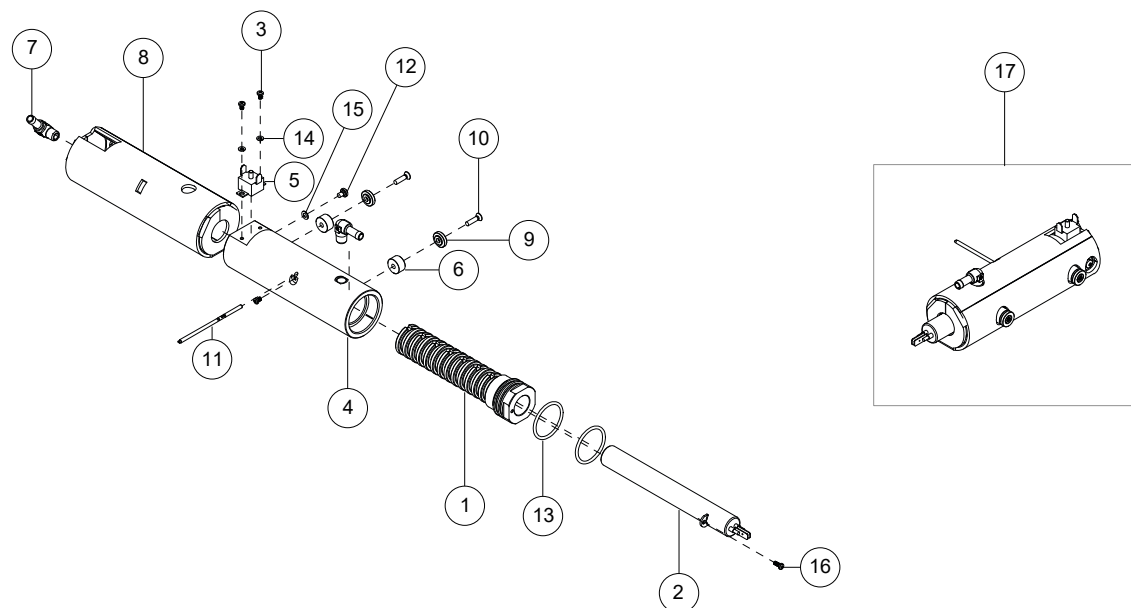


n. Code	Descrizione / Description	Description / Beschreibung	Descripción
1 99951400	PERNO MICRO PORTA PERNO MICRO PORTA	PERNO MICRO PORTA PERNO MICRO PORTA	PERNO MICRO PORTA
2 97815245	MOLLA MICRO MICRO SPRING	MICRO RESSORT MICRO-FRÜHLING	MICRO RESORTE
3 99951402	TESTINA TERMINALE PERNO AZION TESTINA TERMINALE PERNO AZION	TESTINA TERMINALE PERNO AZION TESTINA TERMINALE PERNO AZION	TESTINA TERMINALE PERNO AZION
4 51232019	VITE TCEI M10X20 8.8 SCREW TCEI M10X20 8.8	VIS TCEI M10X20 8.8 SCHRAUBE TCEI M10X20 8.8	TORNILLO TCEI M10X20 8.8
5 53104124	NON FORNIBILE NOT AVAILABLE	NON DISPONIBILE A LA VENDE NICHT LIEFERBAR	NO SUMINISTRABLE
6 99951547	LAMIERA SUPPORTO MICRO LAMIERA SUPPORTO MICRO	LAMIERA SUPPORTO MICRO LAMIERA SUPPORTO MICRO	LAMIERA SUPPORTO MICRO
7 51232130	VITE TCEI M3X14 8.8 M3X14 8.8 TCEI SCREW	VIS TCEI M3X14 8.8 SCHRAUBE TCEI M3X14 8.8	TORNILLO TCEI M3 X14 8.8
8 99951368	PIASTRINO RISC. MICRO MICRO HEATING PLATE	PLAQUE CHAUF. MICRO PLÄTTCHEN ERWÄRM. MIKRO	PLACA CALEF. MICRO
9 53113001	ROND ELAS GROWER X M3 ELAS GROWER WASHER X M3	RONDELLE ELAS GROWER X M3 BEILEGSCHIEBE ELAS GROWER X M3	ARANDELA ELAS GROWE X M3
10 97668137	MICROINTERRUTT.D3V-015-1C23 D3V-015-1C23 MICROSWITCH	MICROCONTACT D3V-015-1C23 MIKROSCHALTER D3V-015-1C23	MICROINTERRUPT D3V-015-1C23
11 99951401	PIASTRA MOTORIDUTTORE MOTOREDCER PLATE	MOTOREDCER PLATE MOTOREDCER PLATE	MOTOREDCER PLATE
12 51237028	VITE TC CROCE M4X10 4.8 M4X10 8.8 TC CROSS SCREW	VIS TC CROIX M4X10 8.8 M4X10 8.8 TC SCHRAUBE	TORNILLO TC CRUZ M4X10 8.8
13 99951548	LAMIERA ATTIVAZIONE MICRO LAMIERA ATTIVAZIONE MICRO	LAMIERA ATTIVAZIONE MICRO LAMIERA ATTIVAZIONE MICRO	LAMIERA ATTIVAZIONE MICRO
14 97217900	MOTORIDUTTORE GRUPPO CHIUSURA SEEFRID 634.019DCGM43T42 MOT	MOTEU.SEEFRID 634.019DCGM43T42 MOT. SEEFRID 634.019DCGM43T42	MOTOR SEEFRID 634.019DCGM43T42

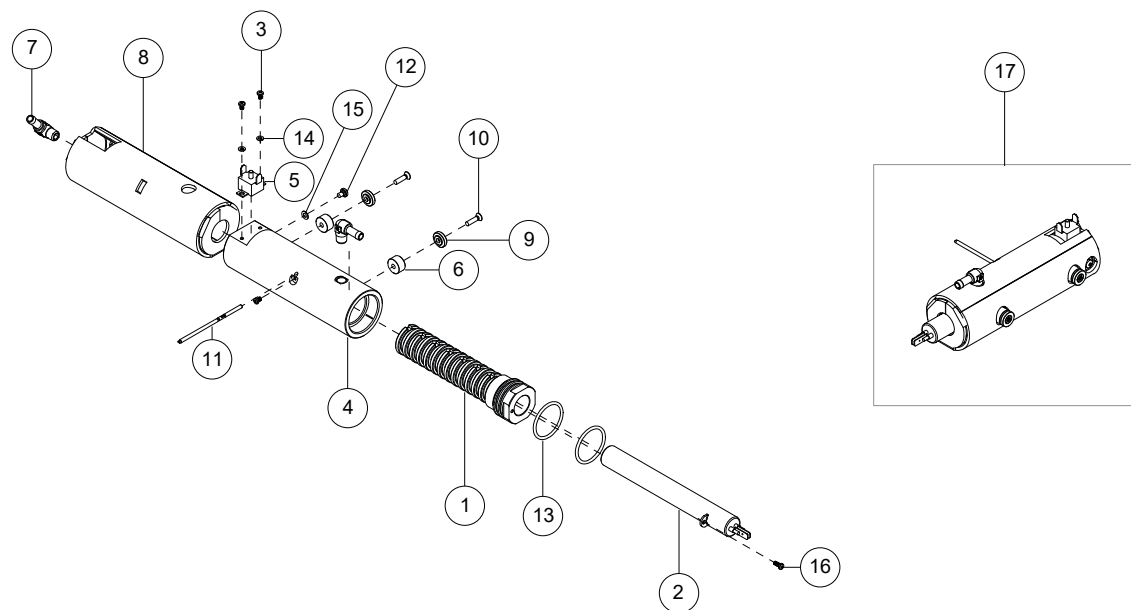




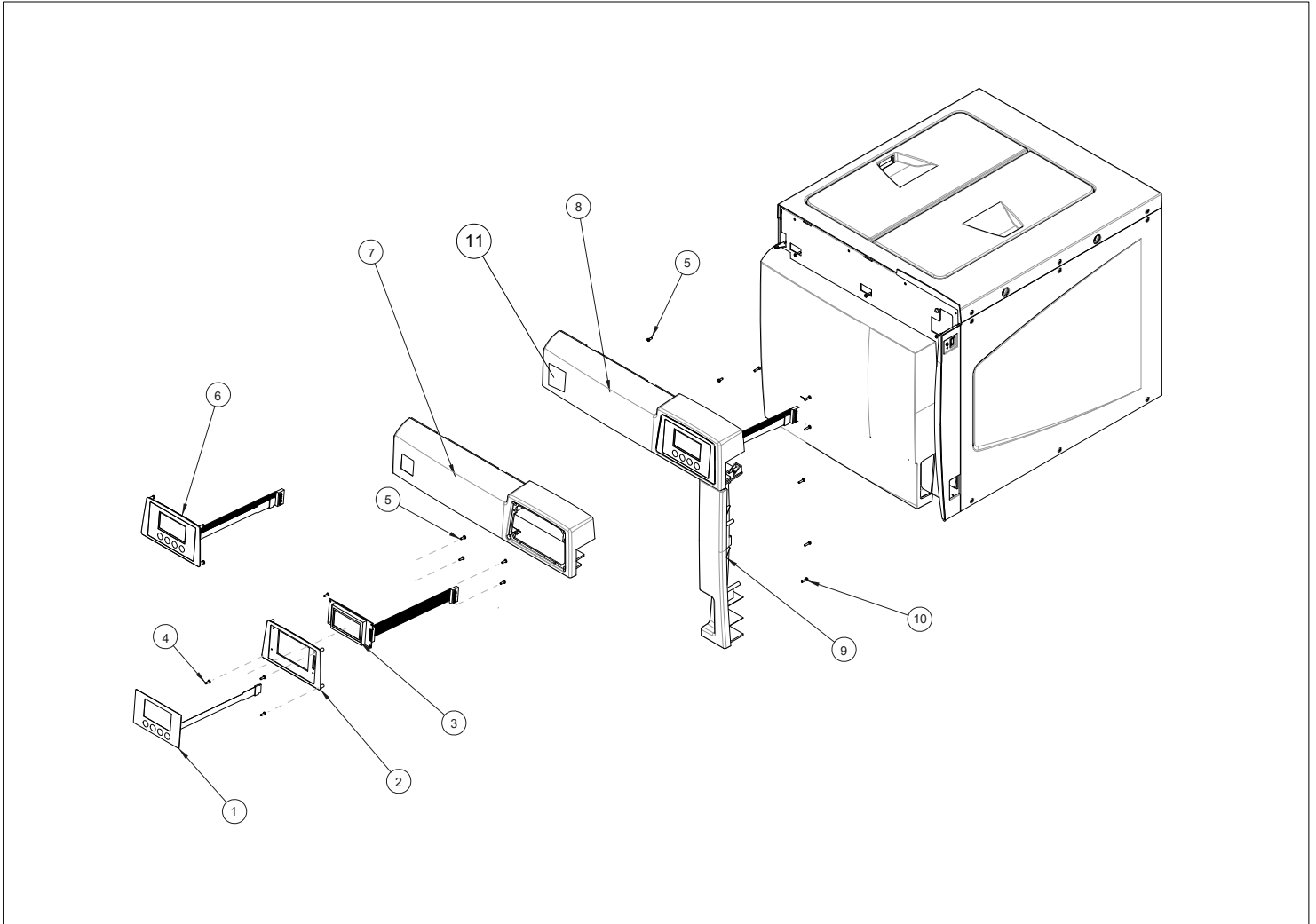
n. Code	Descrizione / Description	Description / Beschreibung	Descripción
15 99951398	GUIDA MOTORIDUTTORE MOTOREDCER GUIDE	GUIDE MOTOREDUCTEUR GETRIEBEMOTORENFUEHRUNG	GUIA MOTORREDUCTOR
16 99950975	ALBERO SCANALATO DIN 5481 SPLINED SHAFT DIN5481	ARBRE CANNELE' DIN5481 VERZAHNTE WELLE DIN5481	EJE ESTRIADO DIN5481
17 99951397	PERNO FILETTATO TR 16X3 16X3 TR THREADED PIN	PIVOT FILETAGE TR 16X3 GEWINDESTIFT TR 16X3	PERNO FILETE TR 16X3
19 99950966	ANELLO RING	ANNEAU RING	ANILLO
20 97815282	MOLLA SISTEMA DI AGGANCIO COUPLING SYSTEM SPRING	RESSORT SYSTEME D'ACCROCHAGE FEDER KUPPLUNGSSYSTEM	MUELLE SISTEMA DE ACOPLAMIENTO
21 55103004	ANELLO BENZIG RS7 RS7 BENZIG RING	ANNEAU BENZIG RS7 RS7 BENZIG RING	ANILLO BENZIN RS7
22 53113026	ROSETTA ELASTIC D=8 DIN137B ELASTIC WASHER D = 8 DIN137B	RONDELLE ÉLASTIQUE D = 8 DIN13 ELASTISCHE SCHEIBE D = 8 DIN13	ARANDELA ELÁSTICA D = 8 DIN137
23 97360800	OR 1,78x4,47 NBR 70 O RING 2018	JOINT OR 1,78X4,47 NBR 70 O-RING 2018	O ANILLO 2018
24 99951231	STAFFA SISTEMA CHIUSURA STAFFA SISTEMA CHIUSURA	STAFFA SISTEMA CHIUSURA STAFFA SISTEMA CHIUSURA	STAFFA SISTEMA CHIUSURA
27 95509151	ASSIEME RALLA SLEWING RING ASS.Y	GR.COURONNE D'ORIENTATION SCHEIBENGRUPPE	GR RANGUA
28 99951466	DISTANZIALE LATO CHIUSURA DISTANZIALE LATO CHIUSURA	DISTANZIALE LATO CHIUSURA DISTANZIALE LATO CHIUSURA	DISTANZIALE LATO CHIUSURA
29 51262070	VITE T/BOMB EI M4X10 INOX T/BOMB SCREW EI M4X10 INOX	VIS T.BOMBÉE EI M4X10 INOX LINSENKOPFSCHRAUBE EI M4X10 ED	TORNILLO C/ABOMB. EI M4X10 ACE
30 54601015	COPIGLIA INOX 3,2X20 3,2X20 INOX SPLIT PIN	GOUPILLE 3,2X20 INOX SPLINT EDELSTAHL 3,2X20	CHAVETA ACERO INOXIDABLE 3,2X2
31 95530817	ASS GRUPPO CHIUSURA A VITE SCREW CLOSING GROUP	GR. FERMETURE A VIS SCHRAUBENSCHLIESSGRUPPE	JUN.GR.CIERRE A TORNILLO



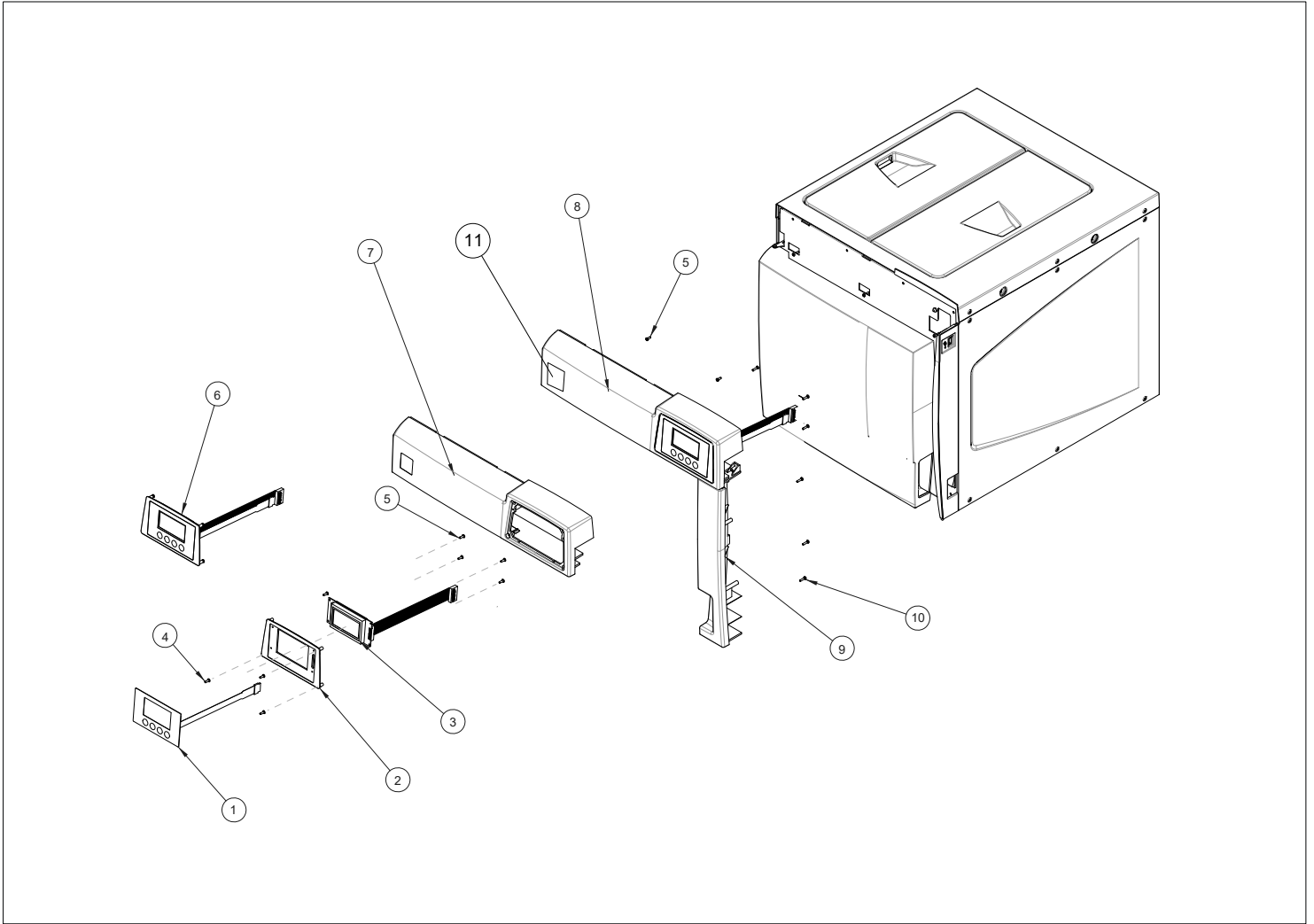
n. Code	Descrizione / Description	Description / Beschreibung	Descripción
1 99950992	CORPO INTERNO GENERATORE GENERATOR INSIDE BODY	CORPS INT. GÉNÉRATEUR INNENKÖRPER GENERATOR	CUERPO INTERNO GENERADOR
2 97650041	RESISTENZA 230V - 2000W RESISTANCE 230V - 200W	RESISTANCE 230V - 200W STANDFESTIGKEIT 230V - 200W	RESISTENCIA 230 V - 2000W
3 51237059	VITE TC CROCE M3X5 ZINC.BIANC SCREW TC CROCE M3X5 ZINC.BIANC	VIS TC CROCE M3X5 ZINC.BIANC KREUZKOPFSCHRAUBE M3X5 VERZINK	TORNILLO TC PHILLIPS M3X5 CINC
4 99950993	CORPO ESTERNO GENERATORE GENERATOR OUTSIDE BODY	CORPS EXT. GÉNÉRATEUR AUSSENKÖRPER GENERATOR	CUERPO ESTERNO GENERADOR
5 97730021	TERMOSTATO SICUREZZ 220°C NERO 220 DEGREES C SAFETY THERMO-SW	THERMOSTAT DE SÉCURITÉ 220°C SICHERHEITSTHERMOSTAT 220°C	TERMOSTATO SEGURIDAD 220°C
6 99950990	DISTANZIALE SPACER	ÉPAISSEUR ABSTANDSTÜCK	DISTANCIADOR
7 99950946	RACC. P.GOMMA ANG M G1/8 D7,9 M G1/8 D7.9 ANG HOSE CONNECTR	RACC.P.TUYAU COUDÉ M G1/8 D7,9 WINKELSCHL.ANSCHL. M G1/8 D7,9	CONEX PORTAG ANG M G1/8 D7,9
8 97901502	COPERTURA ISOLAN.GENERATORE GENERATOR INSULAT. COVER	CARTER ISOL.GÉNÉRATEUR ABDICHTUNG GENERATOR	COBERTURA AISLANTE GENERADOR
9 99950991	DISTANZIALE SPACER	ÉPAISSEUR ABSTANDSTÜCK	DISTANCIADOR
10 51247021	VITE TPS CROCE M4X16 A2 CSK CROSSHEAD SCR M4X16 A2	VIS TF PLATE CRUCIF.M4X16 A2 SENKSCHRAUBE M KREUZ. M4X16 A2	TORN C/PLANA AVELL CR M4X16 A2
11 97668139	SENSORE PT1000 GEN. VAPORE PT1000 STEAM GEN. SENSOR	CAPTEUR PT1000 GÉN. VAPEUR SENSOR PT1000 DAMPFGEN.	SENSOR PT1000 GEN VAPOR
12 99950001	VITE T.CIL.CROCE ZIGR.SOTT.4X6 SOCKET HEAD SCREW M4X6 A2	VIS TC CRUCIFORME M4X6 A2 KR-SCHLITZSCHRAUBE ZK M4X6 A2	TORNILLO C/CIL CRUZ M4X6 A2
13 97378400	OR 32,99X2,62 FKM 75SH OR PARKER P/N 2-125 V0747	JOINT TOR.PARKER P/N 2-125 V07 O-RING 32,99X2,62 FKM 75SH	OR 32,99X2,62 FKM 75SH
14 53113001	ROND ELAS GROWER X M3 ELAS GROWER WASHER X M3	RONDELLE ELAS GROWER X M3 BEILEGSCHIBE ELAS GROWER X M3	ARANDELA ELAS GROWE X M3



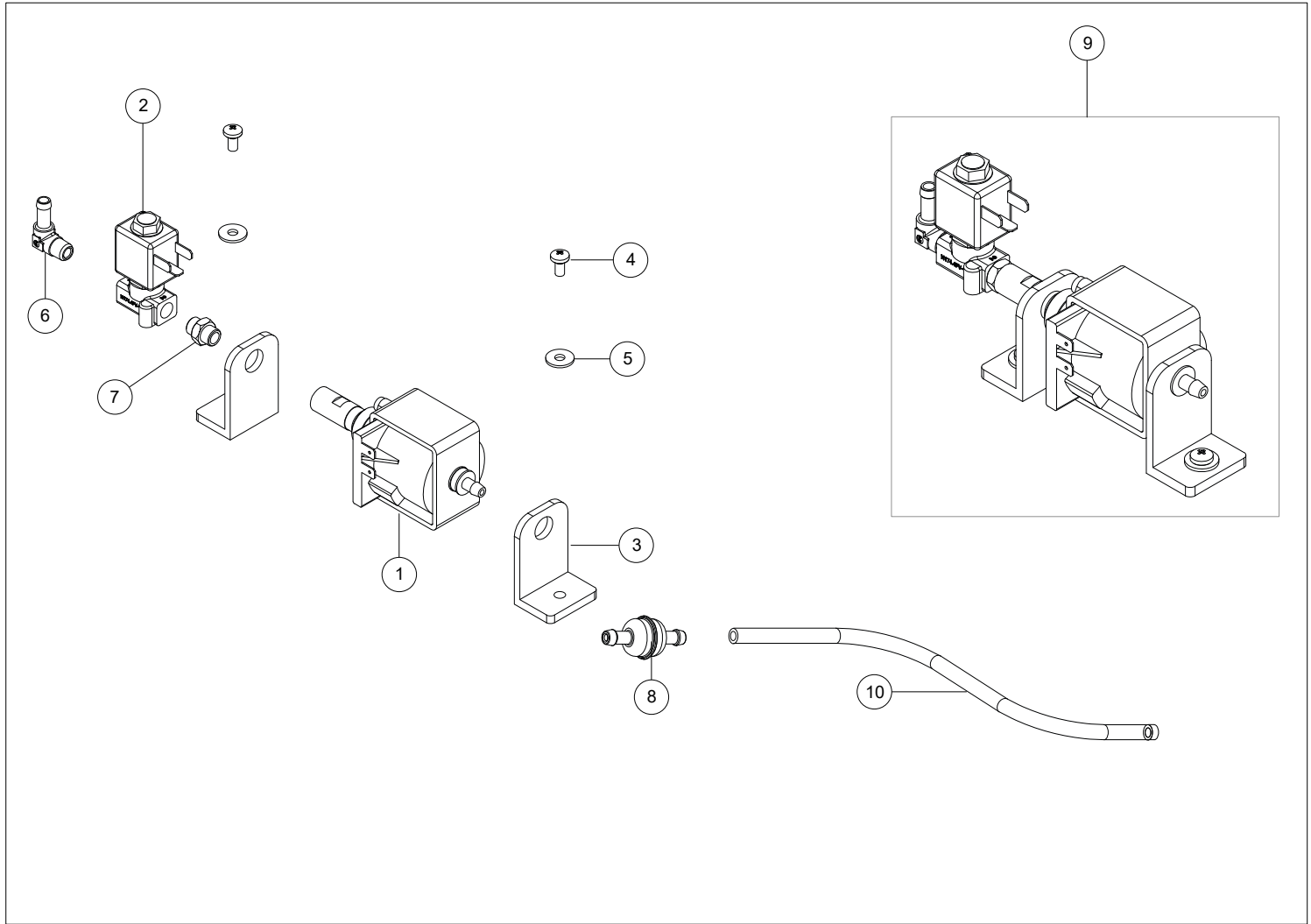
n. Code	Descrizione / Description	Description / Beschreibung	Descripción
15 53135028	ROND DENT EST D 4 Z.D.BIANCA INDENT.WASHER EST D 4 Z.D.WHIT	RONDELLE DENTELÉE EXT D 4 G.D. ZAHNSCHEIBE AUSS. D 4 Z.D.WEIS	ARAND. DENT. EXT. D 4 C.D. BLA
16 51237018	VITE TC CROCE M3X12 4.8 ZINC VITE TC CROCE M3X12 4.8 ZINC	VITE TC CROCE M3X12 4.8 ZINC VITE TC CROCE M3X12 4.8 ZINC	VITE TC CROCE M3X12 4.8 ZINC
17 95530803	ASS GENER. VAPORE 230V 50/60HZ STEAM GENERATOR GR. 230V	GR.GENERATEUR DE VAPEUR 230V DAMPFGENERATOR ASS	GR. GENERADOR DE VAPOR 230V
17 95530926	ASS GENER. VAPORE 120V 60HZ STEAM GENER. ASSY 120V 60HZ	ENS. GÉNÉR. VAPEUR 120V 60HZ ALLG. BAUGR. DAMPF 120V 60HZ	CONJ. GENER. VAPOR 120 V 60 HZ



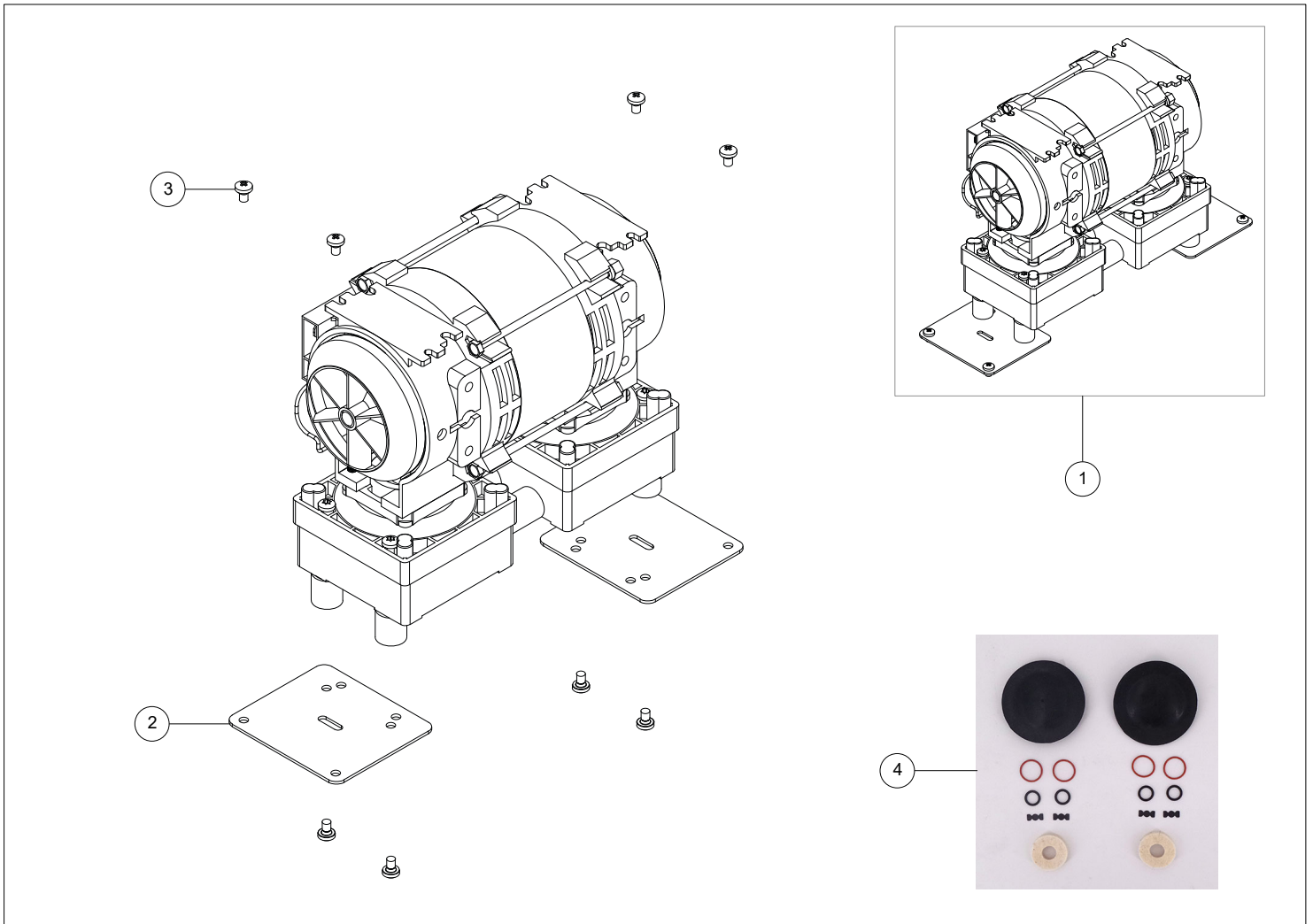
n. Code	Descrizione / Description	Description / Beschreibung	Descripción
1 97620343	PULSANTIERA CLASSIC MOCOM MOCOM CLASSIC KEYBOARD	CLAVIER CLASSIC MOCOM MOCOM CLASSIC DRUCKKNOPFSCHALT	BOTONERA CLASSIC MOCOM
2 97467129	CORNICE DISPLAY ENTRY ENTRY DISPLAY MOULDING	CADRE AFFICHEUR ENTRÉE/GAMME DISPLAYRAHMEN ENTRY	MARCO DISPLAY ENTRY LEVEL
3 97661272	LCD GRAFICO BLU CABLATO WIRED BLUE GRAPH. LCD	LCD GRAPHIQUE BLEU CÂBLÉ GRAFIK-LCD BLAU VERKABELT	LCD GRÁFICO AZUL CABLEADO
4 51537012	VITE A-P T/BOMB CRO D3SPX08 SCREW AUT TC CRO D3SPX8	VIS AUT TC CRO D3SPX8 SCHRAUBE AUT TC CRO D3SPX8	TORNILLO A-P T/BOM CRO D3SPX08
5 51437111	VITE AUT TC CRO #2.9X9.5 ST SCREW TC CRO #2.9X9.5	VIS AUTOT. TC CHRO #2,9X9,5 SELBSTS. KREUZKOPFSCHRAUBE #2.	TORNILLO AUT TC PHIL #2,9X9,5
6 95530430	ASS DISPLAY ENTRY ASS ENTRY DISPLAY	ASS AFFICHAGE ENTREE ASS EINTRAG ANZEIGEN	ASS PANTALLA ENTRADA
7 97467128	ASS FASCIA SUPERIORE UPPER COVER ASS	GR. CARTER SUPERIEUR GR. OBERE BLENDE	GR REGLETA SUPERIOR
8 95530441	ASS FASCIA SUPER BIANCA ASS CLASSIC UPPER WHITE STRIP	ASS CLASSIC BANDE BLANCHE SUPE ASS CLASSIC OBEREN WEISSEN STR	ASS CLASSIC FRANJA BLANCA SUPE
9 97467127	FASCIA LATERALE SIDE BAND	BANDE LATÉRALE SEITENANSICHT STIRNBAND	BANDA LATERAL
10 51467003	VITE AUT T/BOMB 3X12 A2 ROUND HEAD TAPPING SCR 3X12 A2	VIS AUTOT. TÊTE BOMBÉE 3X12 A2 LINSENKSCHEIDSCHRAUBE 3X12 A2	TORN AUT C/ABOMB 3X12 A2
11 97782591	ETICHETTA FRONT S CLASSIC-17 S CLASSIC-17 FRONT LABEL	ETIQUETTE FRONT. S CLASSIC-17 VORDERES S CLASSIC-17 SCHILD	PEGATINA FRONT. S CLASSIC-17
11 97782592	ETICHETTA FRONT S CLASSIC-22 S CLASSIC-22 FRONT LABEL	ETIQUETTE FRONT. S CLASSIC-22 VORDERES S CLASSIC-22 SCHILD	PEGATINA FRONT. S CLASSIC-22
11 97782593	ETICHETTA FRONT B CLASSIC-17 B CLASSIC-17 FRONT LABEL	ETIQUETTE FRONT.B CLASSIC-17 AUFKLEBER FRONT B CLASSIC-17	ETIQUETA FRONT.B CLASSIC-17
11 97782594	ETICHETTA FRONT B CLASSIC-22 B CLASSIC-22 FRONT LABEL	ETIQUETTE FRONT.B CLASSIC-22 AUFKLEBER FRONT B CLASSIC-22	ETIQUETA FRON.B CLASSIC-22



n. Code	Descrizione / Description	Description / Beschreibung	Descripción
11 97782595	ETICHETTA FRONT B CLASSIC-28 B CLASSIC-28 FRONT LABEL	ETIQUETTE FRONT.B CLASSIC-28 AUFKLEBER FRONT B CLASSIC-28	ETIQUETA FRONT.B CLASSIC-28

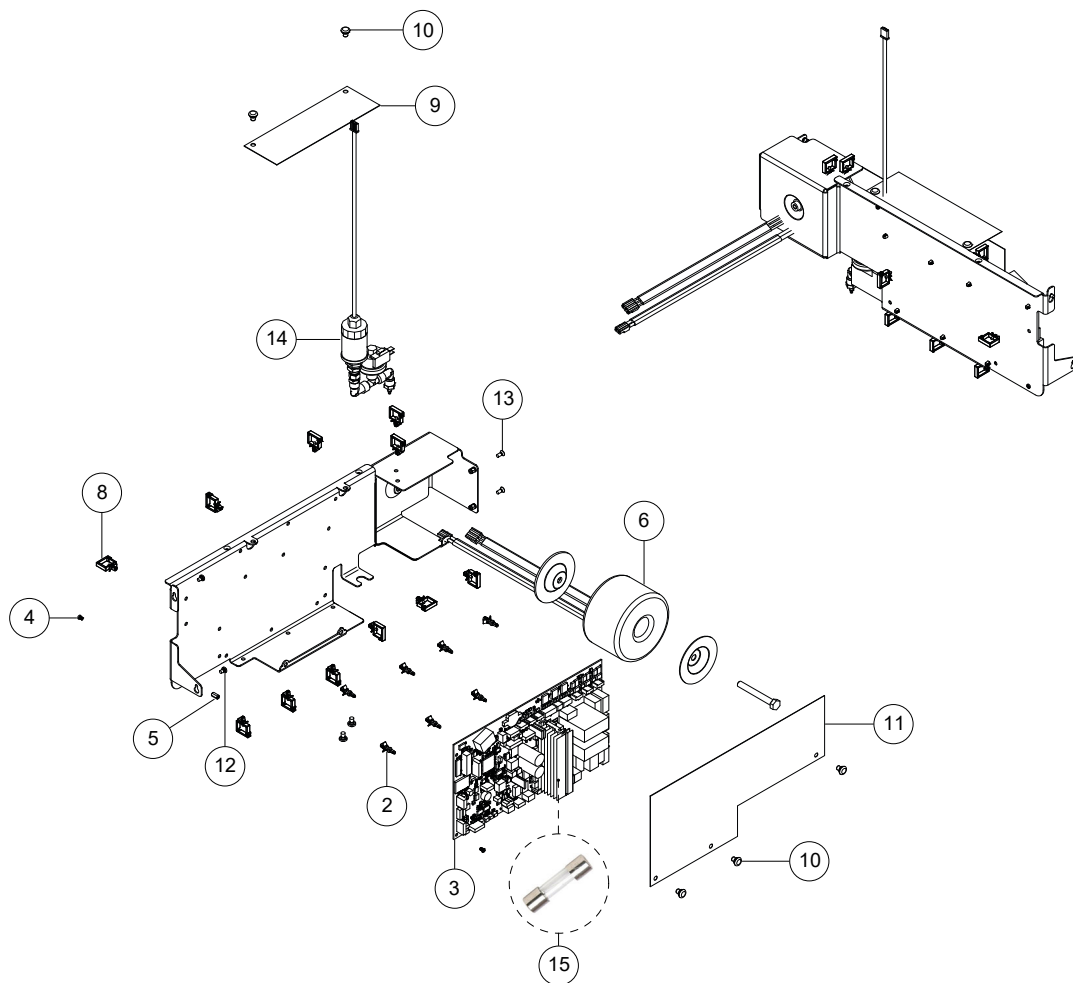


n. Code	Descrizione / Description	Description / Beschreibung	Descripción
1 97740151	POMPA VIBRAZ 24V-48W VIBRAT. PUMP 24V-48W	POMPE VIBRAT. 24V-48W VIBRATIONS PumPE 24V-48W	BOMBA VIBRAC 24V-48W
2 97720193	EV 2 VIE NC D=2.5 24VCC G1/8 2-WAY SV NC D=2.5 24VDC G1/8	EV 2 VOIES NF D=2.5 24VCC G1/8 EV 2 WEGE NC D=2.5 24VCC G1/8	EV 2 VIAS NC D=2.5 24VCC G1/8
3 97440043	SUPPORTO POMPA VIBRO VIBRO PUMP SUPPORT	SUPPORT DE POMPE DE VIBRO VIBRO-UNTERSTÜTZUNG FÜR FEUERL	VIBRO BOMBA SOPORTE
4 99950003	VITE T.CIL.CROCE ZIGR.SOT.5X10 CROSSHEAD SCREW M5X10 A2	VIS TC CRUCIFORME M5X10 A2 KR-SCHLITZSCHRAUBE ZK M5X10 A2	TORNILLO C/CIL CRUZ M5X10 A2
5 53104107	ROND D 6.6X18 S=2 ZINC WASHER D 6.6X18	RONDELLE D 6.6X18 SCHEIBE D 6.6X18	ARAND D 6.6X18
6 99950946	RACC. P.GOMMA ANG M G1/8 D7,9 M G1/8 D7.9 ANG HOSE CONNECTR	RACC.P.TUYAU COUDÉ M G1/8 D7,9 WINKELSCHL.ANSCHL. M G1/8 D7,9	CONEX PORTAG ANG M G1/8 D7,9
7 97960055	RACC NIPPO G1/8 L17 NIPPLE G1/8 L17	RACCORD NIPPLE G1/8 L17 NIPPELANSCHLUSS G1/8 L17	UNION NIPLE G1/8 L17
8 97290166	FILTRO ACQUA WATER FILTER	FILTRE A EAU WASSERFILTER	FILTRO AGUA
9 95530397	ASS POMPA VIBRO VIBRO PUMP ASS.	GR. POMPE VIBRO GR. PumPE VIBRO	GR BOMBA VIBRO
10 97340129	TUBO SILICONE 6X10 SILICONE PIPE 6 X 10	TUYAU SILICONE 6X10 SILIKONROHR 6X10	TUBO SILICONA 6X10



n. Code	Descrizione / Description	Description / Beschreibung	Descripción
1 95530937	ASS POMPA VUOTO HX10P3 50/60HZ HX10P3 50/60HZ VACUUM PUMP GRO	ENS.POMPE VIDE HX10P3 50/60HZ LEERE PUMPE GR. HX10P3 50/60HZ	JUN.BOMBA VAC.HX10P3 50/60HZ
2 99951474	PIASTRA FISSAGGIO POMPE PUMPS FIXING PLATE	PLAQUE FIX. POMPE BEFESTIGUNGSPLATTE PUMPEN	PLACA FIJ. BOMBA
3 99950001	VITE T.CIL.CROCE ZIGR.SOTT.4X6 SOCKET HEAD SCREW M4X6 A2	VIS TC CRUCIFORME M4X6 A2 KR-SCHLITZSCHRAUBE ZK M4X6 A2	TORNILLO C/CIL CRUZ M4X6 A2
4 95509215	KIT MAN. COMPLETO HX10P3 HX10P3 COMPLETE MANUAL KIT	KIT ENTR. COMPLET HX10P3 WART. KIT KOMPLETT HX10P3	KIT MAN. COMPLETO HX10P3

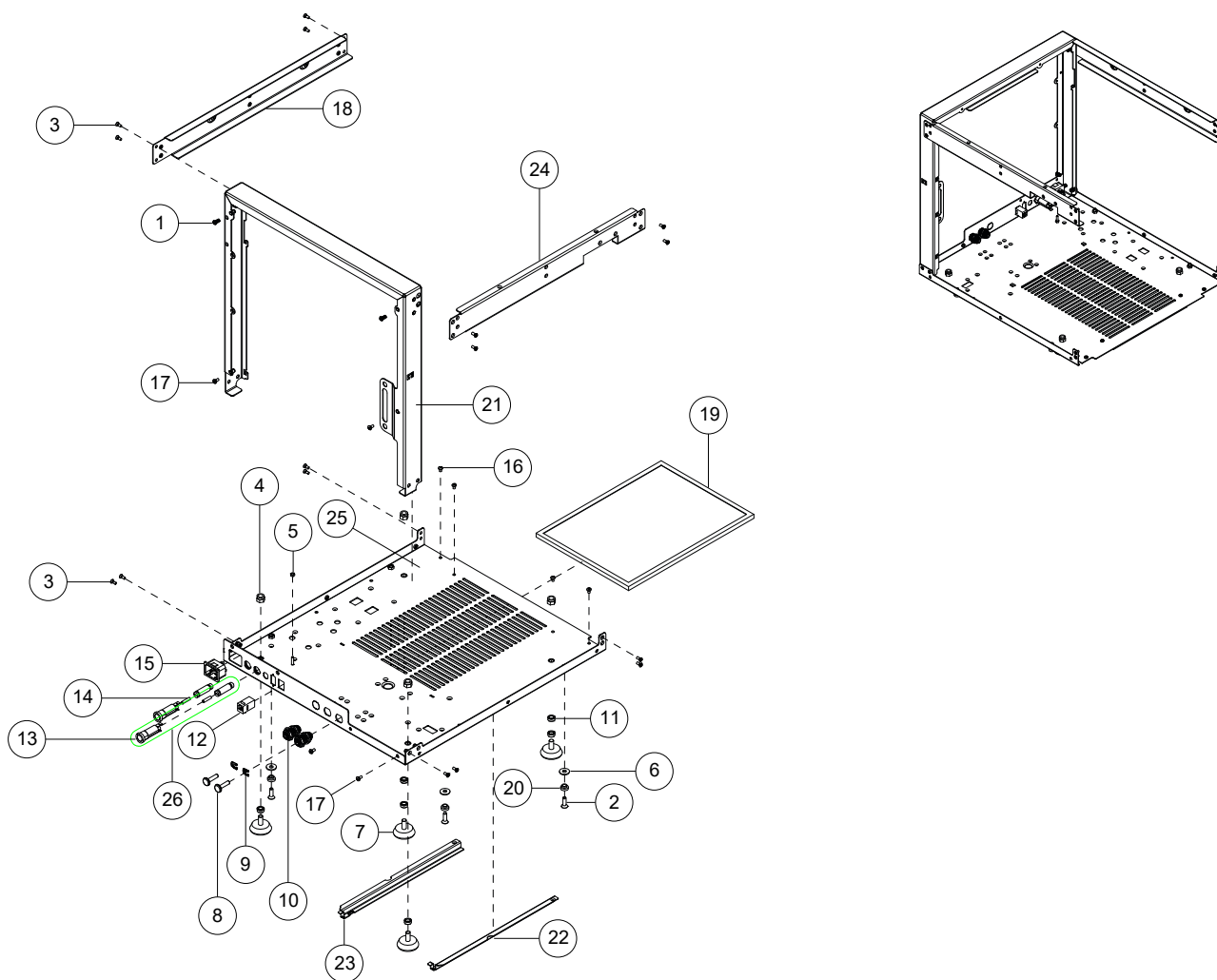




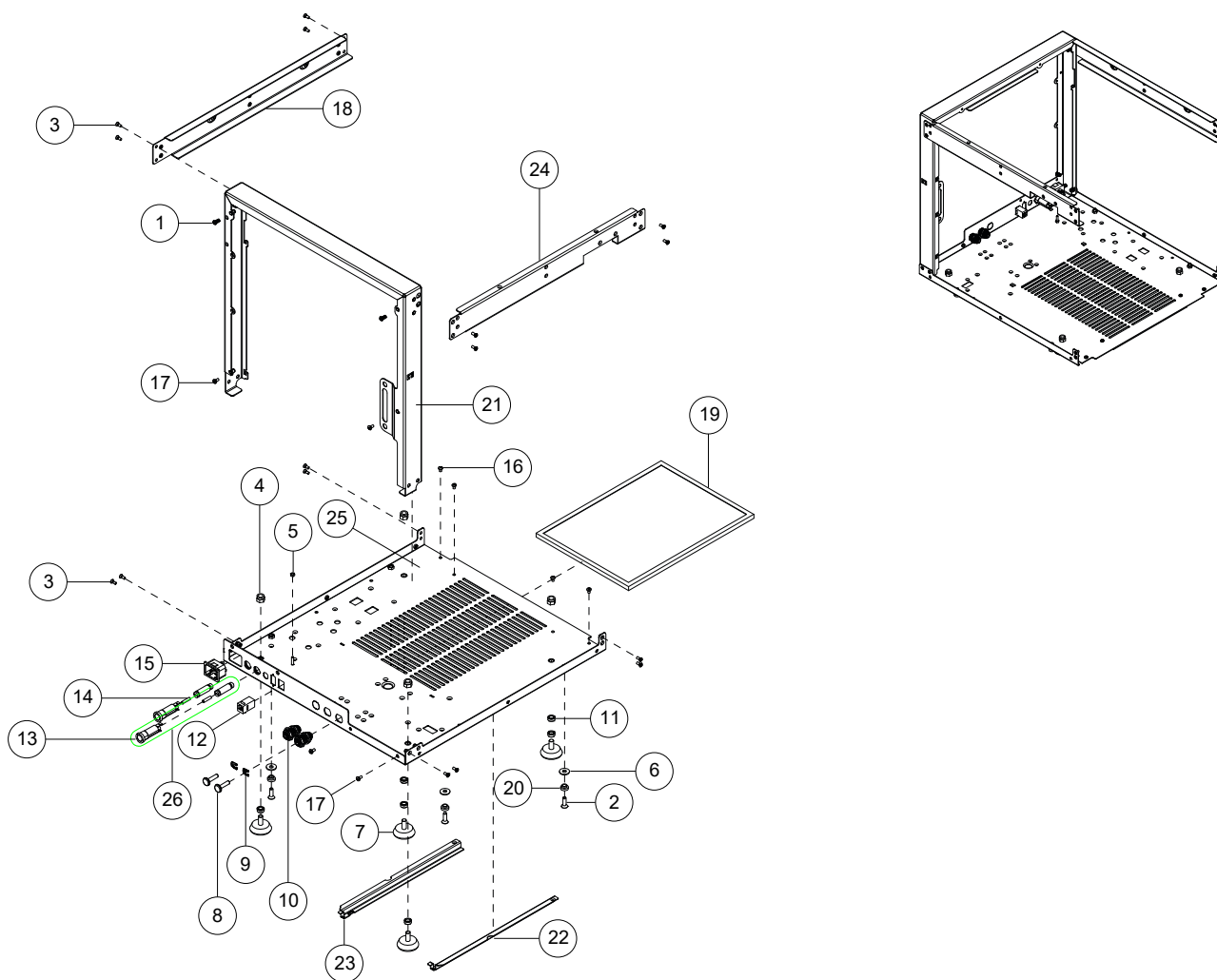
n. Code	Descrizione / Description	Description / Beschreibung	Descripción
2 97560149	SUPPORTO SCHEDA H9,5 CIRCUIT SUPPORT H9,5	SUPPORT PLATINE H9,5 PLATINE ABSTÜTZUNG H9,5	SOPORTE TARJ H9,5
3 97668177	SCHEDA DI PROCESSO AUTOCLAVE PROCESS BOARD	CARTE PROCESSUS AUTOCLAVE AUTOKLAVEN PROZESS-PLATINE	TARJETA PROCESO AUTOCLAVE
4 51237059	VITE TC CROCE M3X5 ZINC.BIANC SCREW TC CROCE M3X5 ZINC.BIANC	VIS TC CROCE M3X5 ZINC.BIANC KREUZKOPFSCHRAUBE M3X5 VERZINK	TORNILLO TC PHILLIPS M3X5 CINC
5 97560011	DISTANZ FF M3X10 SPACER FF M3X10	ENTRETOISE FF M3X10 DISTANZSTÜCK FF M3X10	DISTANC FF M3X10
6 97750185	TRASFORMATORE 0-120/220-240V TRANS.115/230V 220VA 50/60HZ	TRANSFORMATEUR 0-120/220-240V TRANSF.115/230V 220VA 50/60HZ	TRANS 115/230V 220VA 50/60HZ
7 51212219	VITE TE M8X65 ZINC 8.8 HEX HEAD SCREW M8X65 A2	VIS TH M8X65 A2 SECHSKANTSCHRAUBE M8X65 A2	TORN C/HEX M8X65 A2
8 97550103	FERMACAVO CABLE RETAINER	SERRE CABLE KABELSCHELLE	FIJACABLE
9 97400181	PROTEZIONE SCHEDA SUPERIORE TOP CARD PROTECTION	PROTECTION DE LA CARTE DU DESS OBERSTE KARTENSCHUTZ	PROTECCIÓN SUPERIOR DE LA TARJ
10 97550025	RIVETTO AUTOBLOCCANTE PLAST. CLIP	RIVET AUTOBLOQUANT SELBSTSICHERNDE NIETE	REMACHE AUTOBLOCANTE
11 97400182	PROTEZIONE SCHEDA INFERIORE LOWER BOARD PROTECT.	PROTECTION CARTE INFÉRIEURE UNTERE KARTENSCHUTZ	PROTECCIÓN INFERIOR DE LA TARJ
12 99950001	VITE T.CIL.CROCE ZIGR.SOTT.4X6 SOCKET HEAD SCREW M4X6 A2	VIS TC CRUCIFORME M4X6 A2 KR-SCHLITZSCHRAUBE ZK M4X6 A2	TORNILLO C/CIL CRUZ M4X6 A2
13 51247018	VITE TPS CROCE M4X10 A2 CSK CROSSHEAD SCR M4X10 A2	VIS TF PLATE CRUCIFOR.M4X10 A2 SENKSCHRAUBE M KREUZ. M4X10 A2	TORN C/PLANA AVELL CR M4X10 A2
14	Assieme trasduttore e pressostato Transducer and pressure switch assembly	Ensemble transducteur et pressostat Einheit Geber und Druckwächter	Conjunto transductor y presostato
15 FE2330315	FUSIBILE 5X20 RITARD.3,15 A DELAYED FUSE 5X20 3,15A	FUSIBILE RETARD. 5X20 3,15A TRÄGE SICHERUNG 5X20 3,15 A	FUSIBLE RETRAS. 5X20 3,15A



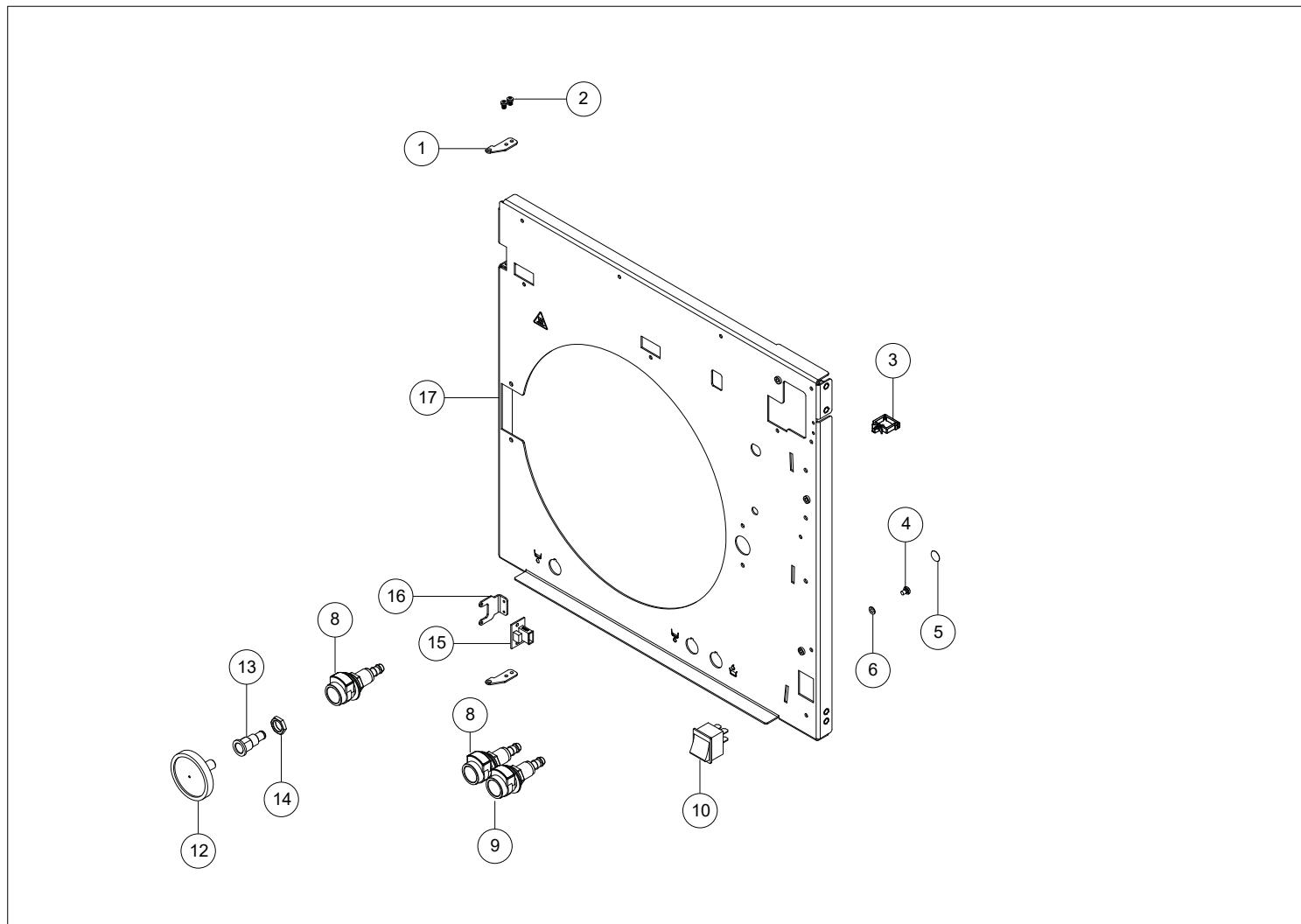
n. Code	Descrizione / Description	Description / Beschreibung	Descripción
1 95509231	TRASDUTTORE + O-RING TRANSDUCER + O-RING	TRANSDUCTEUR + O-RING GEBER + O-RING	TRANSDUCTOR + O-RING
8 95509230	PRESSOSTATO + O-RING PRESSURE SWITCH + O-RING	PRESSOSTAT + O-RING DRUCKWÄCHTER + O-RING	PRESOSTATO + O-RING
9 53113004	ROND ELAS GROWER X M6 M6 GROWER ELAST.WASHER	RONDELLE ELAST.GROWER X M6 M6 GROWER ELAST.SCHEIBE	ARAND ELÁS. GROWER X M6
10 95509232	GR.TRASDUTTORE+PRESSOSTATO TRANSDUCER+PRESSURE SWITCH GR.	GR.TRANSDUCT+PRESSOSTATE GR. GEBER+DRUCKWÄCHTER	GR.TRANSDUCT+PRESOSTATO
11 99924940	GHIERA PER TUBO PTFE 2,7X4MM PTFE 2,7X4MM TUBE FERRULE	BAGUE POUR TUYAU PTFE 2,7X4MM NUTMUT. F. PTFE-SCHL. 2,7X4 MM	CASQ PARA TUBO PTFE 2,7X4MM
12 95509245	COLL. CALDAIA_MPX TUBO TELATO REINF. HOSE MPX_BOILER CONN.	COLL. CHAUD_MPX TUYAU BACHÉ BUND KESSEL_MPX SCHL M. GEWEB.	COL. CALDERA_MPX TUBO DE LIENZ
17 95509238	GR.TUBO PTFE.GROWER.GHIERA RING NUT GROWER PTFE TUBE UNIT	GR. TUYAU PTFE. GROWER BAGUE GR.ROHR PTFE.ERZEUGER.RING	GR. TUBO PTFE. GROWER ANILLO



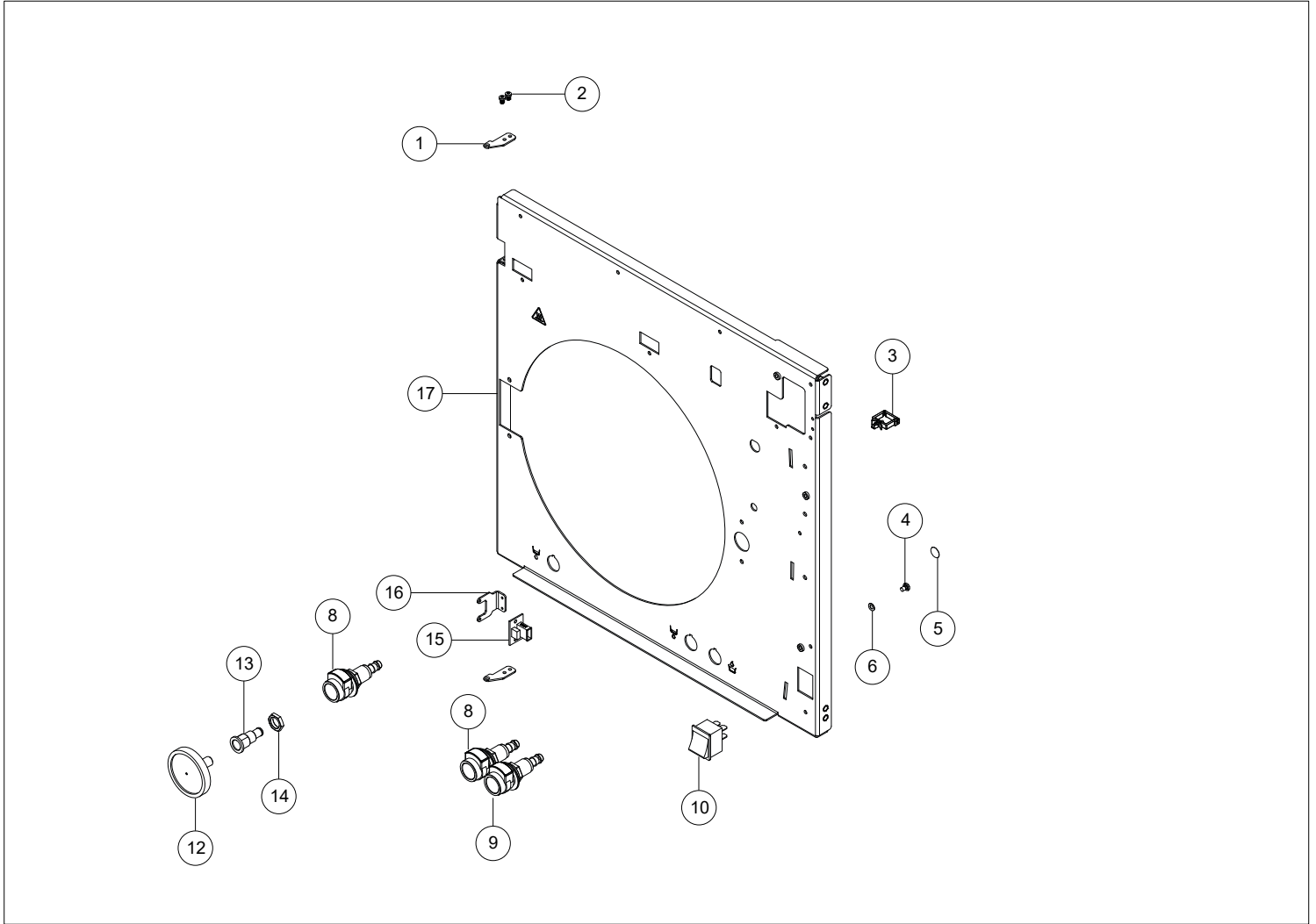
n. Code	Descrizione / Description	Description / Beschreibung	Descripción
1 51237028	VITE TC CROCE M4X10 4.8 M4X10 8.8 TC CROSS SCREW	VIS TC CROIX M4X10 8.8 M4X10 8.8 TC SCHRAUBE	TORNILLO TC CRUZ M4X10 8.8
2 51242012	VITE TPSEI M6X20 10.9 TPSEI M6X20 10.9 SCREW	VIS TPSEI M6X20 10.9 SCHRAUBE TPSEI M6X20 10.9	TORNILLO TPSEI M6X20 10.9
3 51247018	VITE TPS CROCE M4X10 A2 CSK CROSSHEAD SCR M4X10 A2	VIS TF PLATE CRUCIFOR.M4X10 A2 SENKSCHRAUBE M KREUZ. M4X10 A2	TORN C/PLANA AVELL CR M4X10 A2
4 52210014	DADO M8 ALTO 6S ZINC AUTOBLOCC SELF LOCK.HIGH ZINC NUT M8 6S	ECROU M8 HAUT 6S ZINC AUTOB. VERZ.H.SELBSTSIC.MUTTER M8 6S	TUERCA AUTOB M8 ALTA 6S ZINC
5 52220005	DADO M4 MEDIO 6S M4 6S NUT MEDIUM SIZE	ECROU M4 MOYEN 6S MUTTER M4 6S	DADO M4 MEDIO 6 S
6 53104107	ROND D 6.6X18 S=2 ZINC WASHER D 6.6X18	RONDELLE D 6.6X18 SCHEIBE D 6.6X18	ARAND D 6.6X18
7 97420246	PIEDE FISSO NYLON D40 M8X32 Z NYLON D40 M8X32 Z FIXED FOOT	PIED FIXE NYLON D40 M8X32 Z NYLON D40 M8X32 Z FIXIERT FUSS	PIE FIJO NYLON D40 M8X32 Z
8 97420133	TAPPO1/4 1/4 PP0808W JOHN GUEST PLUG	BOUCHON1/4 PP0808W JOHN GUEST VERSCHL 1/4 PP0808W JOHN GUEST	TAPÓN 1/4 PP0808W JOHN GUEST
9 97550086	CLIP BLOCCA PINZETTA 1/4" 1/4" PINCERS BLOCKING CLIP	CLIP BLOC PINCETTE 1/4" SAFETY CLIP -(THERMOPL.-POLYURE	CLIP BLOQUE PINZA 1/4"
10 95509195	GRUPPO RACC. PASSAPARETE 1/4 1/4 PASS THROUGH JUNCTION GR.	GR.RACC.PASSE-PAROIS 1/4 1/4 WAND ÜBERSCH. VERB. GR.	GR. CONEXION PASA PARED 1/4
11 97560103	DISTANZIALE IN PLASTIC PA66 PA66 PLASTIC SPACER	ENTRET. EN PLASTIQUE PA66 Distanzstück aus Kunststoff PA	DISTANCIAL DE PLASTICO PA66
12 97560151	PASSAPARETE RJ45 CAT5E BULKHEAD RJ45 CAT5E	PASSE PAROIS RJ45 CAT5E SCHOTT RJ45 CAT5E	PASAPARED RJ45 CAT5E
13 97760051	PORTAFUSIBILE 6,3X32 FUSE BOX 6,3X32	PORTE FUSIBLE 6,3X32 6,3X32 SICHERUNGSHALTER	PORTA FUSIBLE 6,3X32
14 97760053	FUSIBILE 6,3X32 T15 A FUSE 6,3X32 T15 A	FUSIBLE 6,3X32 T15 A 6,3X32 T15 A SICHERUNG	FUSIBLE 6,3X32 T15 A



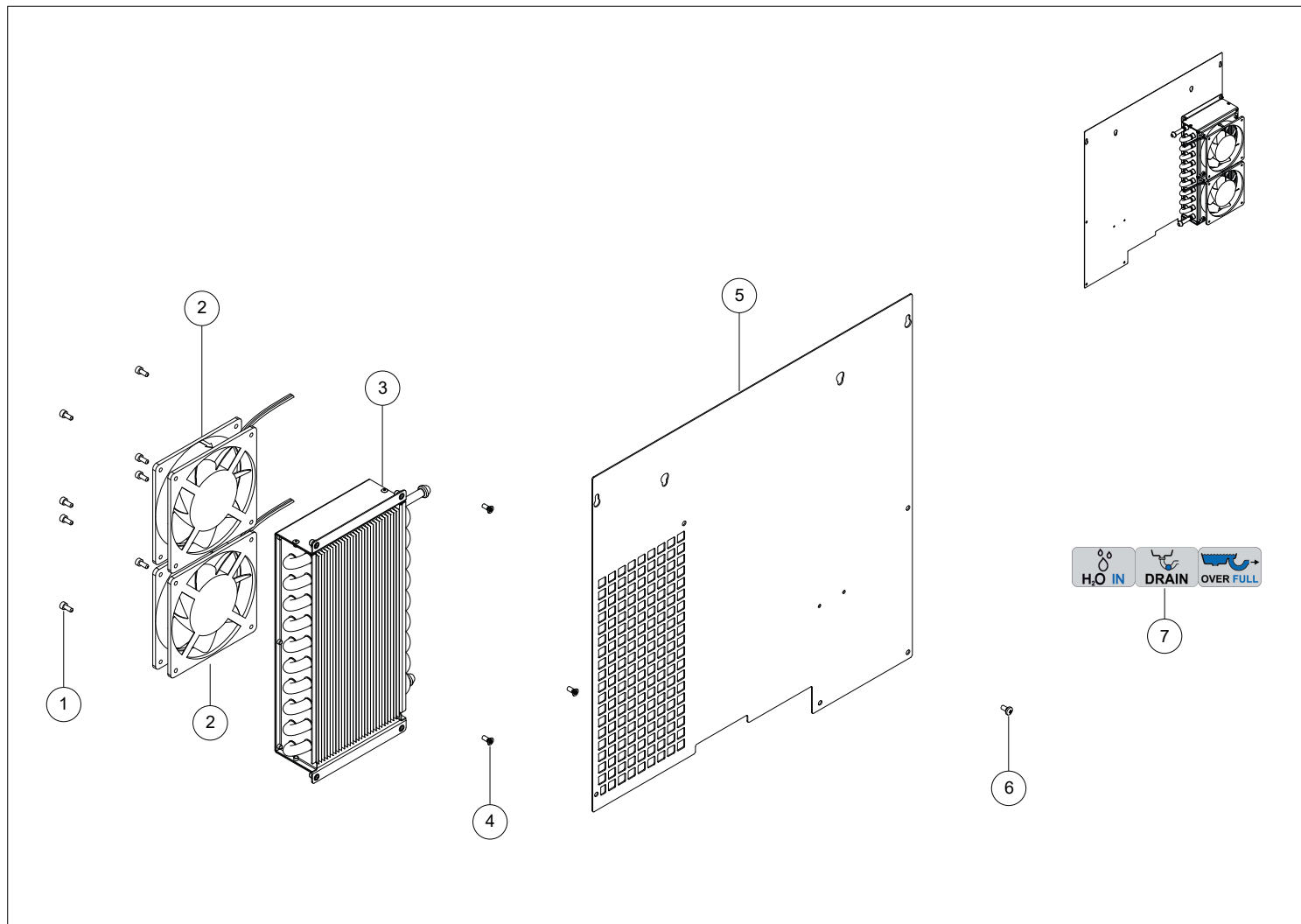
n. Code	Descrizione / Description	Description / Beschreibung	Descripción
15 97940114	VASCHETTA ALIMENTAZ IEC C20 IEC C20 SUPPLY TANK	BAC ALIMENTATION IEC C20 STROMANSCHLUSS IEC C20	CUBETA ALIM IEC C20
16 99950001	VITE T.CIL.CROCE ZIGR.SOTT.4X6 SOCKET HEAD SCREW M4X6 A2	VIS TC CRUCIFORME M4X6 A2 KR-SCHLITZSCHRAUBE ZK M4X6 A2	TORNILLO C/CIL CRUZ M4X6 A2
17 99950002	VITE T.CIL.CROCE ZIGR.SOTT.4X8 CROSSHEAD SCREW M4X8 A2	VIS TC CRUCIFORME M4X8 A2 KR-SCHLITZSCHRAUBE ZK M4X8 A2	TORNILLO C/CIL CRUZ M4X8 A2
18 99950954	TRAVERSA DX RIGHT CROSS BAR	TRAVERSE DROITE RICHTIGE CROSS BAR	BARRA TRANSVERSAL DERECHA
19 99951019	FILTRO ANTIPOLVERE ANTI DUST FILTER	FILTRE ANTI-POUSSIÈRE STAUBSCHUTZFILTER	FILTRO ANTIPOLVO
20 99951064	BOCCOLA AGGANCIO CINGHIA STRAP CONNECTION BUSH	DOUILLE FIXATION COURROIE BUCHSE RIEMENKOPPLUNG	COJINETE FIJACION BANDA
21 99951273	PORTALE PORTALE	PORTALE PORTALE	PORTALE
22 99951279	GUIDA SX FILTRO ANTIPOLVERE DUSTPROOF FILTER LEFT RUNNER	GUIDE GAUCHE FILTRE ANTIPOUS. FÜHRUNG LINKS STAUBSCHUTZFILTE	GUIA IZQ. FILTRO ANTIPOLVO
23 99951280	GUIDA DX FILTRO ANTIPOLVERE DUSTPROOF FILTER RIGHT RUNNER	GUIDE DROIT FILTRE ANTIPOUS. FÜHRUNG RECHTS STAUBSCHUTZFILT	GUIA DER. FILTRO ANTIPOLVO
24 99951406	TRAVERSA SX LH CROSSBAR	TRAVERSE GACHE QUERTRÄGER LI	TRAVESAÑO IZQ.
25 99951409	LAMIERA BASAMENTO BASE SHEET-METAL	TOLE BASE SOCKEL STAHLBLECH	CHAPA BASE
26 95509196	ASSIEME PORTA FUSIBILE FUSE HOLDER ASSEMBLY	GR., BOITE A FUSIBLES ZUSAM.SCHMELZSICH.TRAEGER	KIT PORTA FUSIBLE



n. Code	Descrizione / Description	Description / Beschreibung	Descripción
1 99951200	STAFFA FULCRO HEAD BRACKET	ÉQUERRE TÊTE ANSCHWENKBÜGEL	SOPORTE FULCRO
2 51237059	VITE TC CROCE M3X5 ZINC.BIANC SCREW TC CROCE M3X5 ZINC.BIANC	VIS TC CROCE M3X5 ZINC.BIANC KREUZKOPFSCHRAUBE M3X5 VERZINK	TORNILLO TC PHILLIPS M3X5 CINC
3 97550103	FERMACAVO CABLE RETAINER	SERRE CABLE KABELSCHELLE	FIJACABLE
4 99950001	VITE T.CIL.CROCE ZIGR.SOTT.4X6 SOCKET HEAD SCREW M4X6 A2	VIS TC CRUCIFORME M4X6 A2 KR-SCHLITZSCHRAUBE ZK M4X6 A2	TORNILLO C/CIL CRUZ M4X6 A2
5 97780158	TARGA MASSA D=10MM FONDO GROUND PLATE D=10MM	PLAQUE MASSE D=10MM SCHILD ERDUNG	PLACA MASA
6 53135028	ROND DENT EST D 4 Z.D.BIANCA INDENT.WASHER EST D 4 Z.D.WHIT	RONDELLE DENTELÉE EXT D 4 G.D. ZAHNSCHEIBE AUSS. D 4 Z.D.WEIS	ARAND. DENT. EXT. D 4 C.D. BLA
8 97560105	RACC.RAP. SCARICO FRONT.GRIGIO GREY FRNT DRAIN QUICK COUPL.	RACC.RAP. ÉVACUAT. FRONT.GRIS SCHNELLAN. FRONT.AUSLASS GRAU	CONEX RÁP DESCARGA FRONT GRIS
9 97560106	RACC.RAP. CARICO FRONT. BLU BLUE FRONT LOAD QUICK COUPLING	RACC.RAP. REMPLISS.FRONT. BLEU SCHN.ANSCHL. FR.EINLASS BLAU	CONEX RÁP CARGA FRONT AZUL
10 97600131	INTERRUTTORE A BASCULA TOGGLE SWITCH	INTERRUPTEUR Á BASCULE KIPPSCHALTER	INTERRUPTOR BASCULANTE
12 97290160	FILTRO BATTERIOLOG 0.2 0.2 BACTERIOLOGICAL FILTER	FILTRE BACTERIOLOG. 0.2 BAKTERIOLOGISCHER FILTER 0.2	FILTRO BACTERIOLOGICO 0.2
13 99950960	RACC FILTRO BATTERIOLOGICO BACTERIOLOGICAL FILTER FITTING	FILTRE BACTÉRIOLOGIQUE RACCORD MONTAGE BAKTERIOLOGISCHE FILTE	FILTRO BACTERIOLÓGICO GUARNICI
14 99950017	RACC DADO FILTRO BATT M14X1 BACT.FILTER NUT FITTING M14X1	RACC. ÉCROU FILTRE BACT.M14X1 ANSCHL. MUTTER BAKT.FIL M14X1	UNION TUERCA FILTRO BACT M14X1
15 97668134	SCHEDA USB USB BOARD	CARTE USB USB-KARTE	TARJETA USB
16 99950956	STAFFA USB USB BRACKET	SUPPORT DE L'USB USB-KLAMMER	SOPORTE USB

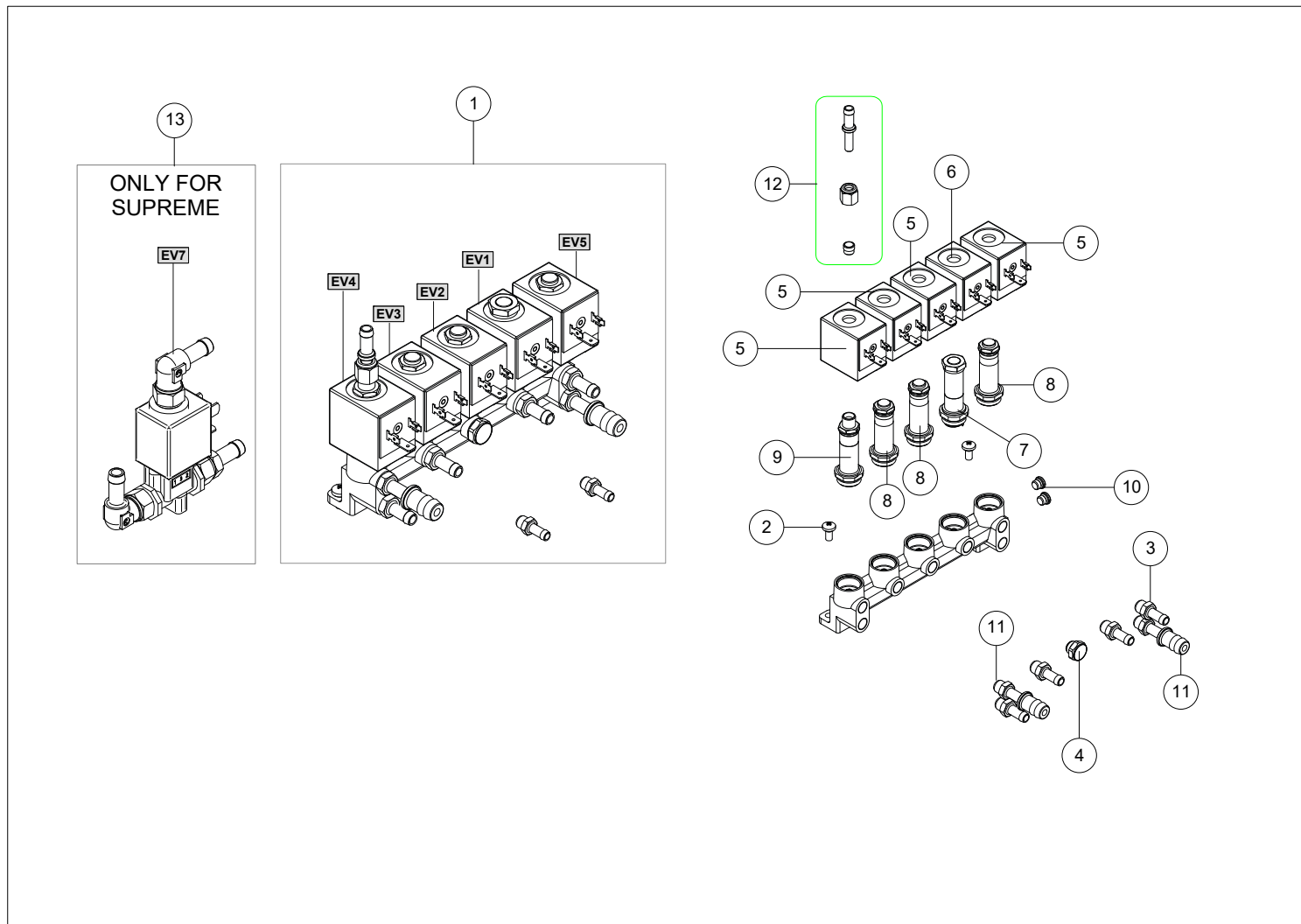


n. Code	Descrizione / Description	Description / Beschreibung	Descripción
17 99951745	PANNELLO FRONT. 17-22L 17-22L FRONT PANEL	PANNEAU FRONT. 17-22L FRONTPLATTE 17-22L	PANEL DELANT. 17-22L

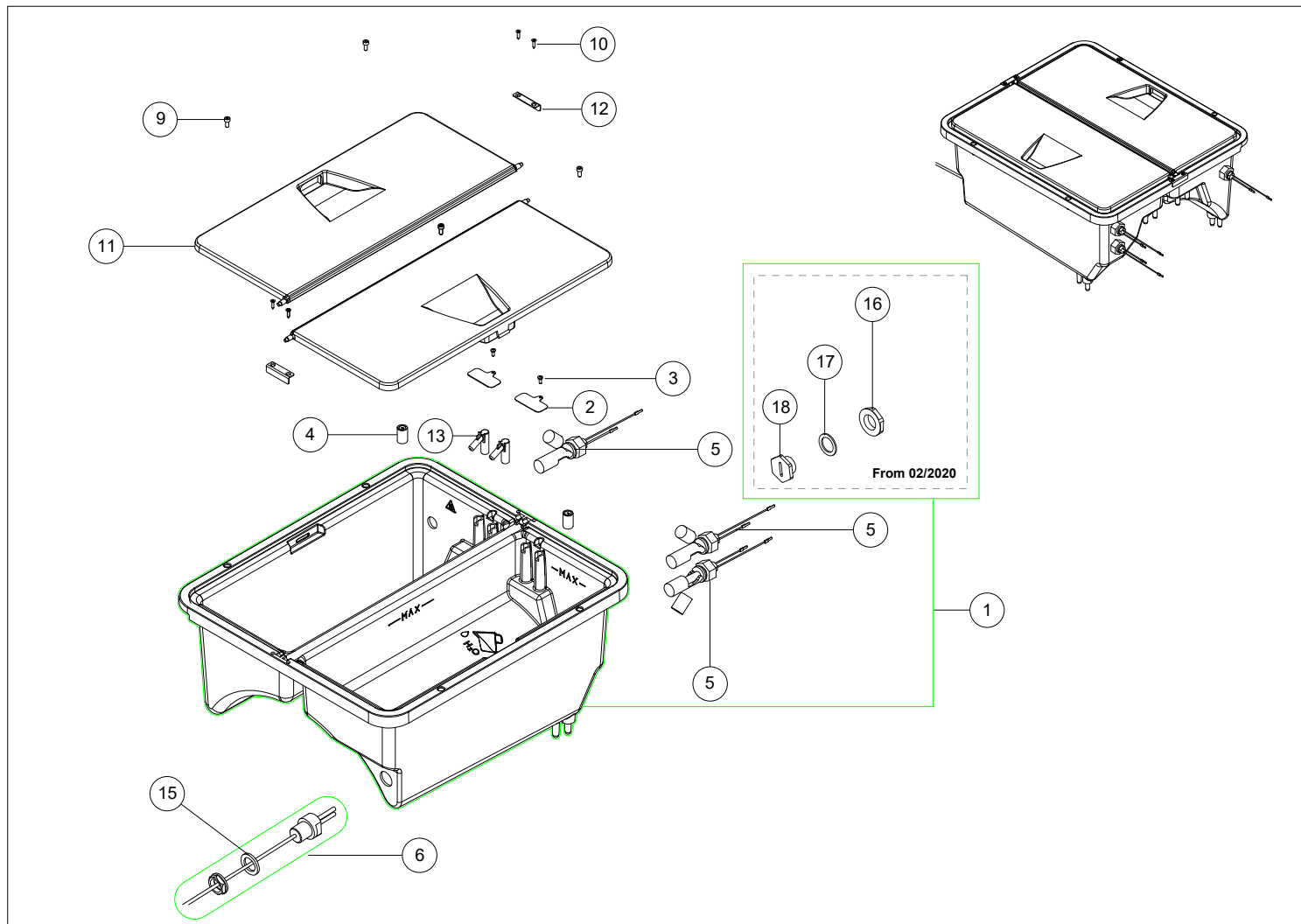


n. Code	Descrizione / Description	Description / Beschreibung	Descripción
1 51232039	VITE TCEI M4X10 SCREW TCEI M4X10	VIS TCEI M4X10 SCHRAUBE TCEI M4X10	TORNILLO TCEI M4 X 10
2 97250036	VENTILATORE 120X120X25 24V 120X120X25 24V FAN	VENTILATEUR 120X120X25 24V VENTILATOR 120X120X25 24V	VENTILADOR 120X120X25 24V
3 99951457	SCAMBIATORE DI CALORE HEAT EXCHANGER	ECHANGEUR DE CHALEUR WÄRMETAUSCHER	INTERCAMBIADOR DE CALOR
4 51247018	VITE TPS GROCE M4X10 A2 CSK CROSSHEAD SCR M4X10 A2	VIS TF PLATE CRUCIFOR.M4X10 A2 SENKSCHRAUBE M KREUZ. M4X10 A2	TORN C/PLANA AVELL CR M4X10 A2
5 99951407	CARTER POSTERIORE REAR CARTER	CARTER POSTERIEUR HINTERE ABDECKUNG	CARTER POSTERIOR
6 99950002	VITE T.CIL.CROCE ZIGR.SOTT.4X8 CROSSHEAD SCREW M4X8 A2	VIS TC CRUCIFORME M4X8 A2 KR-SCHLITZSCHRAUBE ZK M4X8 A2	TORNILLO C/CIL CRUZ M4X8 A2
7 97782065	ETICHETTA H2OIN/DRAIN/OVERFULL H2O IN / DRAIN LABEL	ETIQUETTE H2O ENTREE/DRAINAGE ETIKETT H2O E/DRAIN.	ETIQUETA H2O INGRESO/DRENAJE

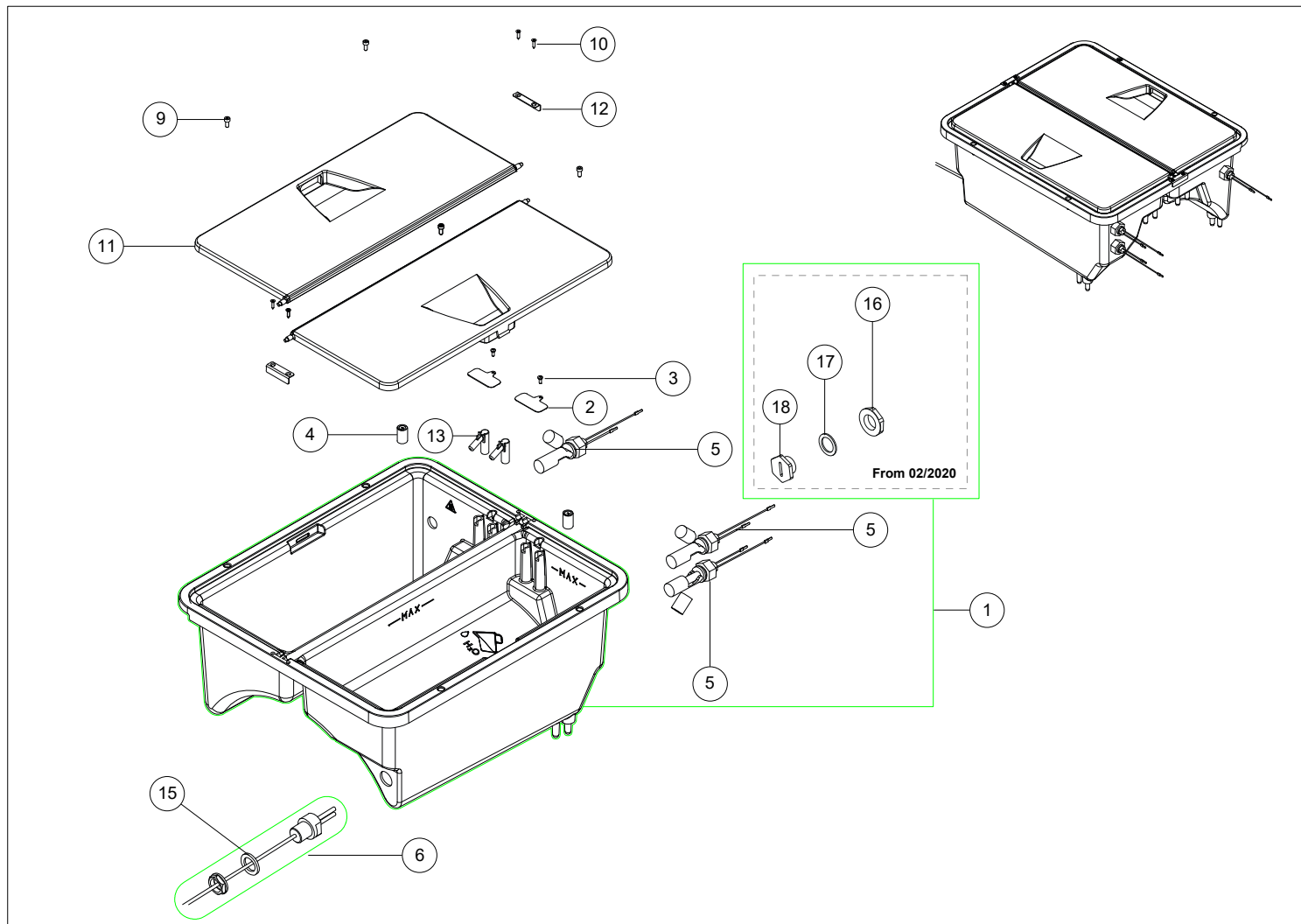




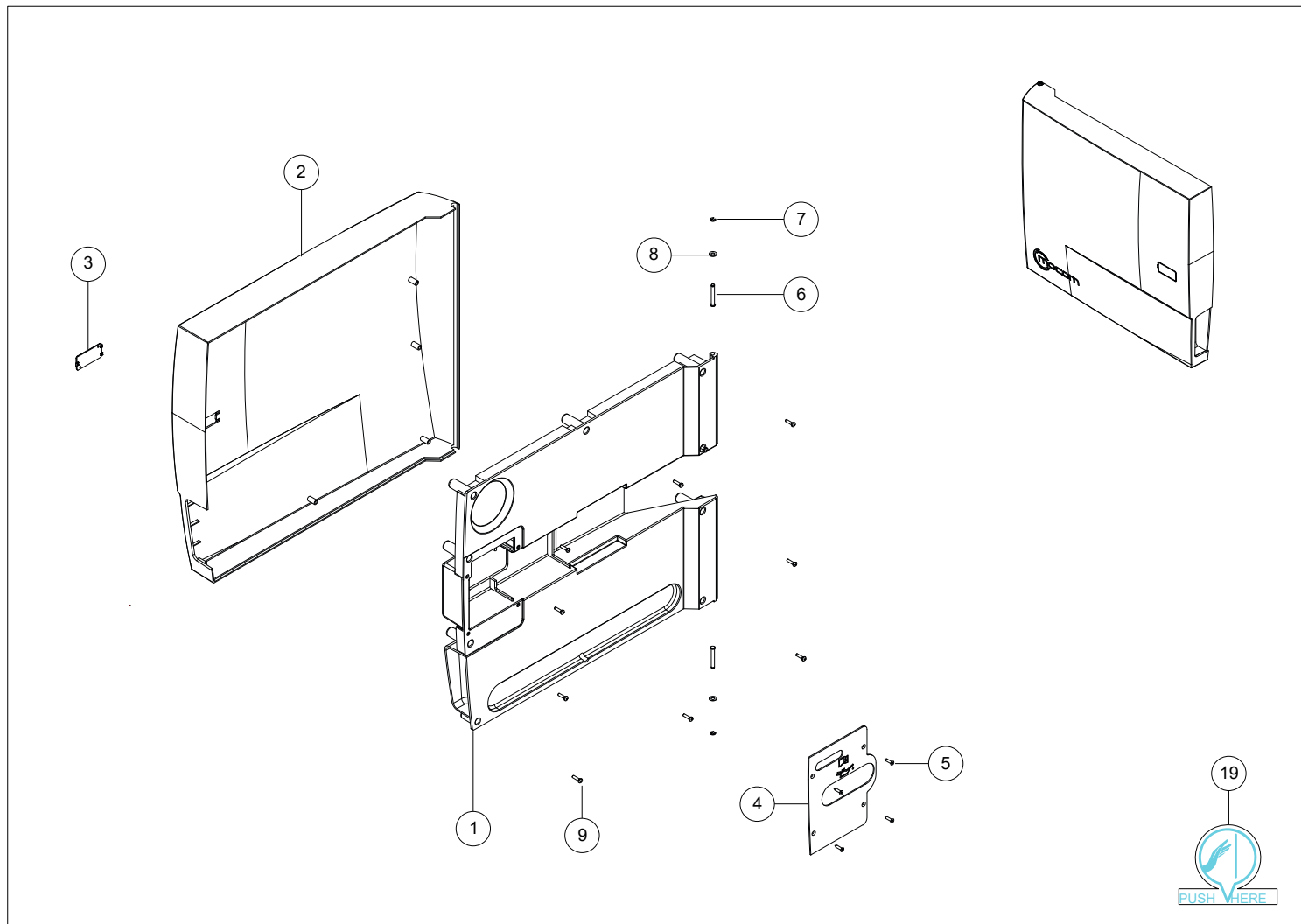
n. Code	Descrizione / Description	Description / Beschreibung	Descripción
1 95509218	ASSIEME MANIFOLD MANIFOLD ASSEMBLY	MANIFOLD CAMOZZI CAMOZZI MANIFOLD	MANIFOLD CAMOZZI
2 99950003	VITE T.CIL.CROCE ZIGR.SOT.5X10 CROSSHEAD SCREW M5X10 A2	VIS TC CRUCIFORME M5X10 A2 KR-SCHLITZSCHRAUBE ZK M5X10 A2	TORNILLO C/CIL CRUZ M5X10 A2
3 99950948	RACC. P.GOMMA DIR M G1/8 D7,9 M G1/8 D7.9 STR HOSE CONNECTR	RACC.P.-TUYAU DR.M G1/8 D7,9 GER. SCHL.ANSCHL. M G1/8 D7,9	CONEX PORTAG RECT M G1/8 D7,9
4 97986300	RACCORDO FILTRO FILTER FITTING	RACCORD FILTRE FILTER-MONTAGE	GUARNICIÓN FILTRO
5 97720214	BOBINA SOLENOID	BOBINE SPULE	BOBINA
6 97720213	BOBINA PER NA COIL FOR NA (NORMALLY OPEN)	BOBINE POUR NA (OUVRIR NORMALE SPULE FÜR NA (SCHLIESSER)	BOBINA PARA NA (NORMALMENTE AB
7 97720215	PORTAC+CURSORE EV1 HOLDER + EV1 CURSOR	PORTE CURSEUR + EV1 CURSEUR HALTER + EV1 CURSOR	PUERTA CURSOR + EV1 CURSOR
8 97720216	PORTAC+CURSORE EV2-EV3-EV5 HOLDER + CURSOR EV2-EV3-EV5	PORTE + CURSEUR EV2-EV3-EV5 HALTER + CURSOR EV2-EV3-EV5	PUERTA CURSOR + CURSOR EV2-EV3
9 97720217	PORTAC+CURSORE 3 VIE EV4 HOLDER + 3-WAY CURSOR EV4	PORTE + 3 VOIES CURSEUR EV4 HALTER + 3-WEGE-CURSOR EV4	PUERTA CURSOR + 3 VÍAS CURSOR
10 97420143	TAPPO MANIFOLD MANIFOLD PLUG	BOUCHON COLLECTEUR VERTEILERVERSCHLUSS	TAPÓN COLECTOR
11 97960088	RACCORDO MANDATA / RITORNO DELIVERY / RETURN CONNECTOR	RACCORD ALLER / RETOUR VORLAUF-/RÜCKLAUFANSCHLUSS	CONEXION IDA / VUELTA
12 97987800	RACCORDO A OGIVA OGIVE FITTING	RACCORD À OLIVE WIDERHAKENANSCHLUSS	UNIÓN DE COMPRESIÓN
13 95530868	ASS ELETTROVALVOLA SERBATOI TANKS SOLENOID VALVE GR.	ENS.ELECTROVANNE RESERVOIR TANKMAGNETVENTIL GR.	GR.ELECTROVALV. DEPOSITO



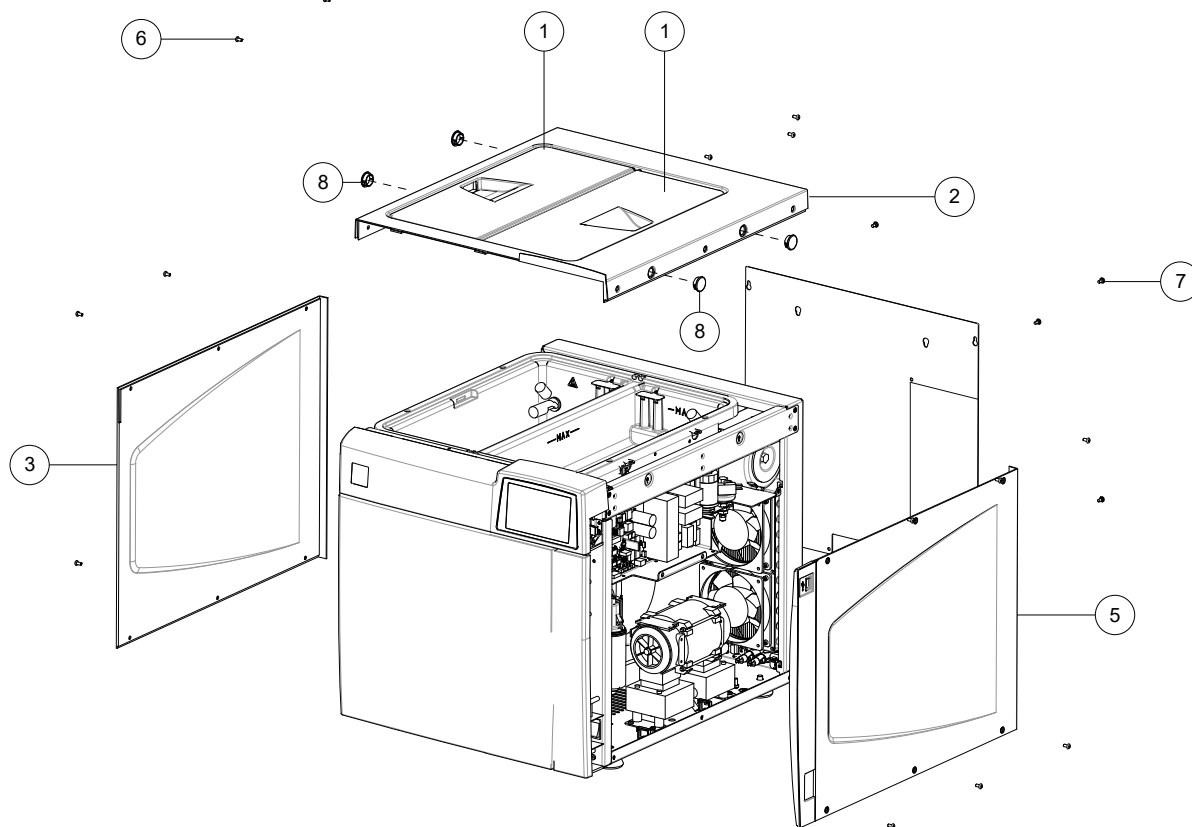
n. Code	Descrizione / Description	Description / Beschreibung	Descripción
1 95509224	SERBATOIO CON TAPPO TANK WITH CAP	RESERVOIR AVEC BOUCHON BEHÄLTER MIT VERSCHLUSS	DEPOSITO CON TAPA
2 99950995	PARASPRUZZI SPLASH GUARD	PARE-ÉCLABOUSSURES SPRITZSCHUTZ	PROTECCIÓN CONTRA SALPICADURAS
3 51467001	VITE AUT T/BOMB 3X8 A2 SCREW FOR PLAST.MAT. TCCR/Z UN	VIS FOR PLAST.MAT. TCCR/Z UN SELBSTS. LINSKOPFSCHRAUBE 3X	TORNILLO AUT C/ABOMB. 3X8 A2
4 97290210	FILTRO ASS SERBATOIO TANK WATER FILTER	FILTRE EAU RÉSERVOIR FILTER FÜR WASSER BEHÄLTER	FILTRO AGUA DEPÓSITO
5 97662424	SENSORE DI LIVELLO LEVEL SENSOR	CAPTEUR DE NIVEAU STANDSENSOR	CAPTADOR DE NIVEL
6 95509147	ASSIEME SENSORE CONDUCIBILITA' WATER CONDUCTIVITY SENSOR ASS.	GR. CAPTEUR CONDUCTIBILITÉ GR. LEITFÄHIGKEITSSENSOR	GRUPO SENSOR CONDUCTIBILIDAD
9 51232039	VITE TCEI M4X10 SCREW TCEI M4X10	VIS TCEI M4X10 SCHRAUBE TCEI M4X10	TORNILLO TCEI M4 X 10
10 51447093	VITE AUT TPS CRO 3X12 CSK CR.HD TAPPING SCR 3X12	VIS AUTOT. TF PLATE CHR. 3X12 SENKSCHNEIDSCHRAUBE KREUZ 3X12	TORN AUT C/PLANA AVELL CR 3X12
11 95530418	ASS COPERCHIO SERBATOIO TANK COVER ASSEMBLY	ENS.COUPER.RESERVOIR TANKABDECKUNG GR.	GR. TAPA DEPOSITO
12 99951056	STAFFA SPORTELLO SERBATOIO TANK DOOR BRACKET	BRIDE PORTE RÉSERVOIR KLAPPENBÜGEL BEHÄLTER	SOPORTE PUERTA DEPÓSITO
13 97467330	RACCORDO SERBATOIO RACCORDO SERBATOIO	RACCORDO SERBATOIO RACCORDO SERBATOIO	RACCORDO SERBATOIO
15 97400179	GUARNIZIONE D30X20X3 EPDM D30X20X3 EPDM GASKET	GARNIT. D30X20X3 EPDM DICHTUNG D30X20X3 EPDM	FORRO D30X20X3 EPDM
16 97420041	GHIERA PG9 GRIGIA PG9 GRAY RING	EMBOUT PG9 GRIS MUTTER PG9 GRIGIA	VIROLA PG9 GRIS
17 97388500	GUARNIZIONE 20X13,9X1,2 20X13,9X1,2 GASKET	JIONT 20X13X1,2 DICHTUNG 20X13,9X1,2	JUNTA 20X13X1,2



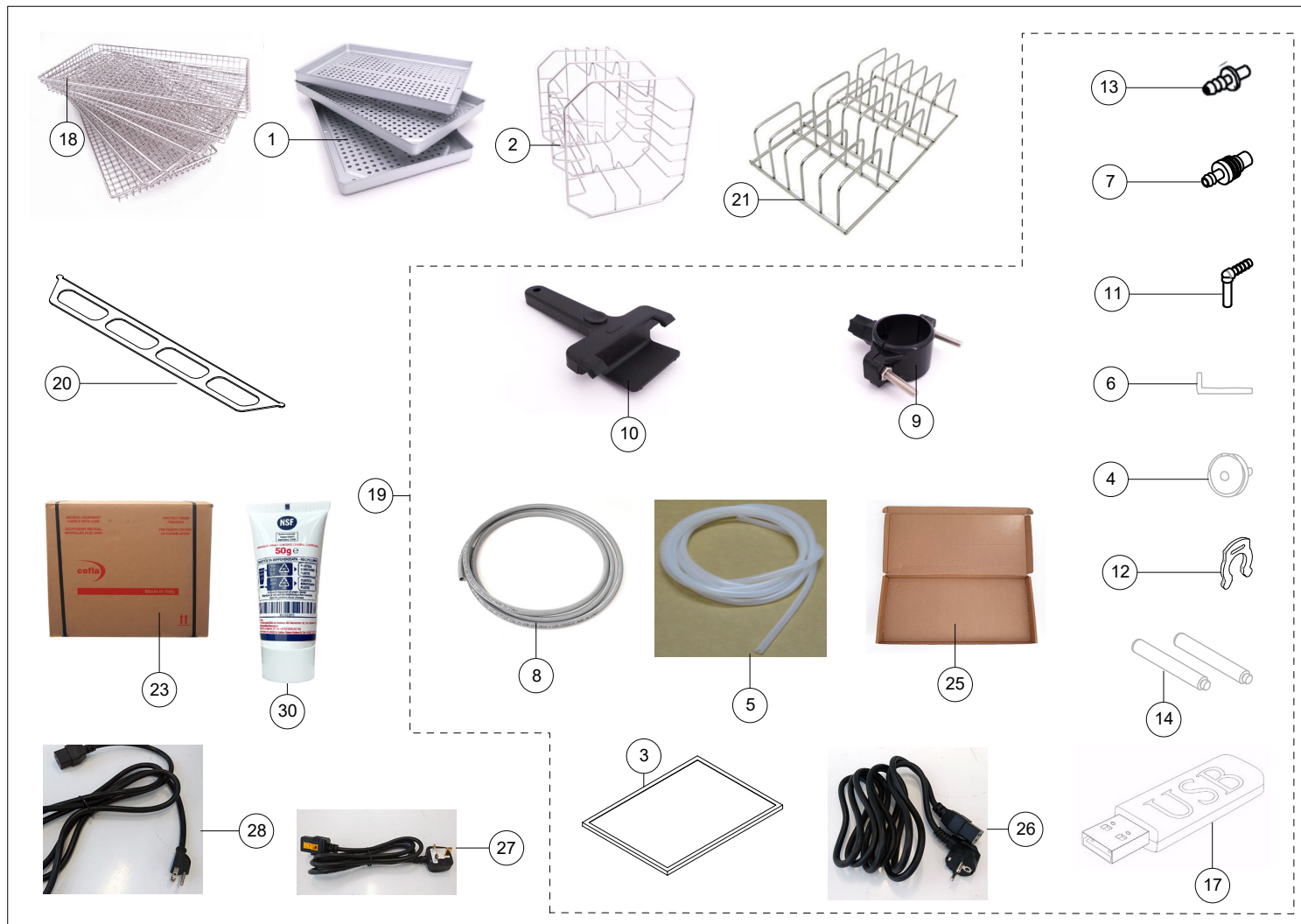
n. Code	Descrizione / Description	Description / Beschreibung	Descripción
18 97420236	TAPPO PG9 PG9 CAP	BOUCHON PG9 VERSCHLUSS PG9	TAPA PG9



n. Code	Descrizione / Description	Description / Beschreibung	Descripción
1 97467126	CONTROSPORTELLLO INTERNAL DOOR	CONTRE PORTE GEGEN TÜR	CONTRA-PUERTA
2 97467144	SPORTELLLO MOCOM MOCOM DOOR	MOCOM PORTE MOCOM TÜR	MOCOM PUERTA
3 97467124	TAPPO MOCOM MOCOM PLUG	BOUCHON MOCOM VERSCHL. MOCOM	TAPÓN MOCOM
4 99951479	LAMIERA COPERTURA COVER PLATE	TOLE COUVERTURE ABDECK.SBLECH	CHAPA COBERTURA
5 51447093	VITE AUT TPS CRO 3X12 CSK CR.HD TAPPING SCR 3X12	VIS AUTOT. TF PLATE CHR. 3X12 SENKSCHEIDSCHRAUBE KREUZ 3X12	TORN AUT C/PLANA AVELL CR 3X12
6 99951201	PERNO SPORTELLLO DOOR PIN	PIVOT PORTE BOLZEN FÜR KLAPPE	PERNO PUERTA
7 55103002	ANELLO BENZIG RS3.2 BENZIG RS3.2 RING	BAGUE BENZIG RS3.2 RING BENZIG RS 3.2	ANILLO BENZING RS3.2
8 53107004	ROND D=4,3X9 S=0,8 NYLON WASHER D=4,3X9 S=0,8 NYLON	RONDELLE D=4,3X9 S=0,8 NYLON UNTERLEGS. D=4,3X9 S=0,8 NYLON	ARAND. D=4,3X9 S=0,8 NYLON
9 51467003	VITE AUT T/BOMB 3X12 A2 ROUND HEAD TAPPING SCR 3X12 A2	VIS AUTOT. TÊTE BOMBÉE 3X12 A2 LINSENKSCHEIDSCHRAUBE 3X12 A2	TORN AUT C/ABOMB 3X12 A2
19 97783239			

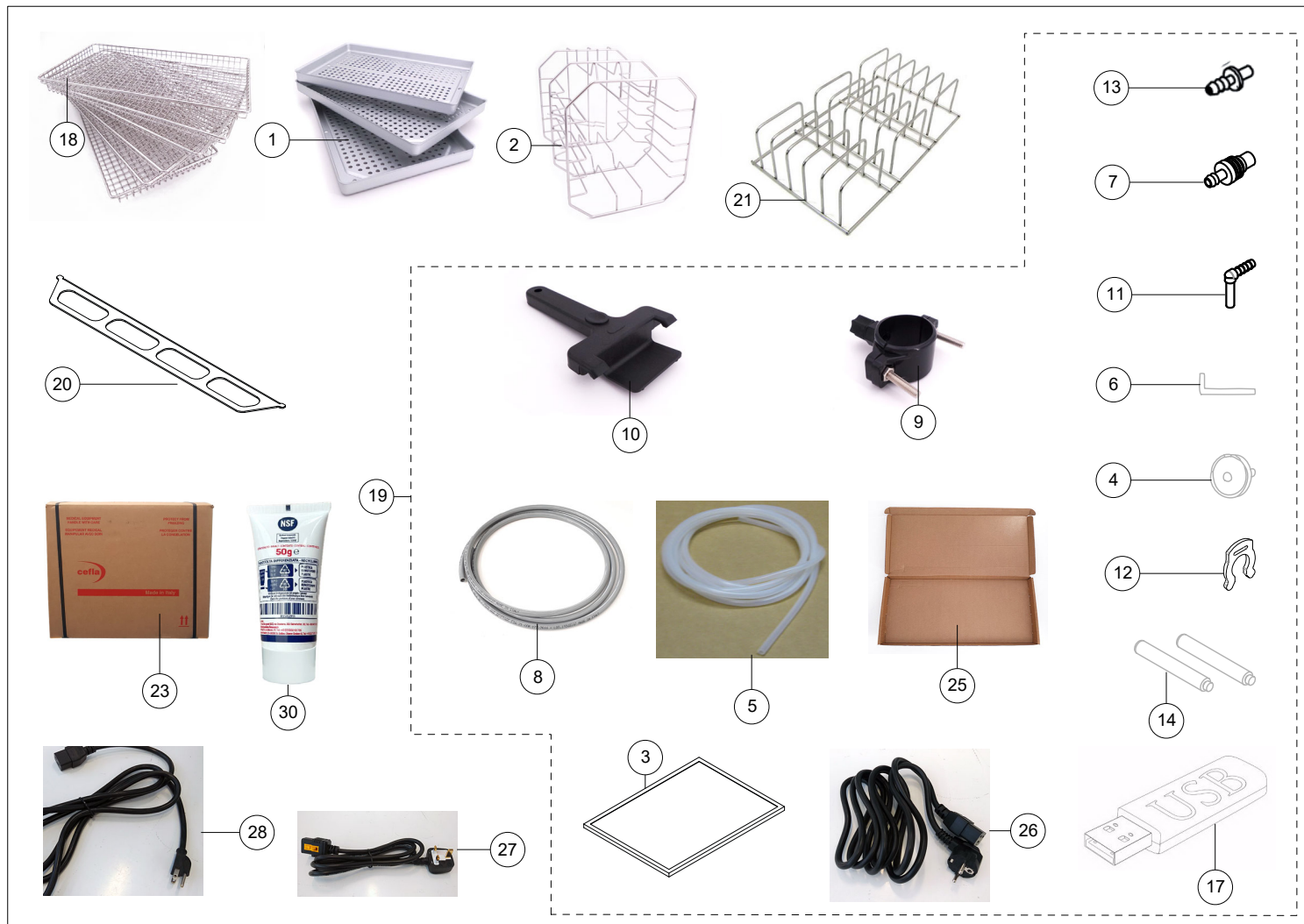


n. Code	Descrizione / Description	Description / Beschreibung	Descripción
1 95530418	ASS COPERCHIO SERBATOIO TANK COVER ASSEMBLY	ENS.COUPER.RESERVOIR TANKABDECKUNG GR.	GR. TAPA DEPOSITO
2 97467136	COPERTURA SUPERIORE TOP COVER	CARTER SUPÉRIEUR OBERE ABDECKUNG	COBERTURA SUPERIOR
3 97467135	COPERTURA LATERALE SX LH SIDE COVER	CARTER LATÉRAL GAUCHE SEITLICHE ABDECKUNG LINKS	COBERTURA LATERAL IZDA
5 97467134	COPERTURA LATERALE DX RIGHT SIDE COVER	CARTER LATÉRAL DROIT ABDECKUNG RECHTS SEITLICH	CUBIERTA LATERAL DERECHA
6 51262010	VITE T/BOMB EI M4X8 10.9 T/BOMB SCREW EI M4X8 10.9	VIS T/BOMB EI M4X8 10.9 SCHRAUBE T/BOMB EI M4X8 10.9	TORNILLO T/BOMB EI M4X8 10.9
7 99950002	VITE T.CIL.CROCE ZIGR.SOTT.4X8 CROSSHEAD SCREW M4X8 A2	VIS TC CRUCIFORME M4X8 A2 KR-SCHLITZSCHRAUBE ZK M4X8 A2	TORNILLO C/CIL CRUZ M4X8 A2
8 97460388	TAPPO CIL D 14 BIANCO LUC GLOSS WHITE PLUG - D=14 MM	BOUCHON BLANC BRILLANT - D = 1 VERSCHLUSS WEISS GLÄNZEND - D	TAPÓN BLANCO BRILLANTE - D=14



n. Code	Descrizione / Description	Description / Beschreibung	Descripción
1 99951318	VASSOIO ALLUMINIO 22 LT 22LT ALUMIN. TRAY	PLATEAU ALUMINIUM 22 L TABLETT AUS ALUMINIUM 22 L	BANDEJA ALUMINIO 22 L
2 99950317	PORTATRAYS 22 LT TRAY HOLDER 22 LT	PORTE-PLATEAUX 22 LT TRAYHALTER 22 LT	PORTABANDEJAS 22LT
3 99951019	FILTRO ANTIPOLVERE ANTI DUST FILTER	FILTRE ANTI-POUSSIÈRE STAUBSCHUTZFILTER	FILTRO ANTIPOLVO
4 97290160	FILTRO BATTERIOLOG 0.2 0.2 BACTERIOLOGICAL FILTER	FILTRE BACTERIOLOG. 0.2 BAKTERIOLOGISCHER FILTER 0.2	FILTRO BACTERIOLOGICO 0.2
5 97340129	TUBO SILICONE 6X10 SILICONE PIPE 6 X 10	TUYAU SILICONE 6X10 SILIKONROHR 6X10	TUBO SILICONA 6X10
6 58008036	CHIAVE BRUGOLA S5 S5 HEX WRENCH	CLE MALES S5 INBUSSCHLÜSSEL S5	LLAVE 5S
7 97550099	INNESTO PIPU80-PG8 PIPU80-PG8 PLUG-IN	JOINT PIPU80-PG8 GRAFT PIPU80-PG8	CONEXION PIPU80-PG8
8 97340232	TUBO POLIURETANO 6X8 GRIGIO POLYURETHAN 6X8 GREY TUBE	TUYAU POLYURETHANE 6X8 GRIS POLYURETHAN-SCHLAUCH 6X8 GRAU	TUBO POLIURETANO 6X8 GRIS
9 97560045	RACC SCAR CONCENTR/TUBO1/4 DISCH CONCENTR/TUBE1/4 CONNECT	RACCORD SCAR CONC/TUYAU1/4 KONZENT. ABLAUFST/SCHLAUCH 1/4	CONEX. SCAR CONC/TUBO1/4
10 97467066	ESTRATTORE VASSOI TRAYS EJECTOR	EJECTEUR PLATEAU ENTNAHMEVORRICHTUNG TRAYS	EXTRACTOR BANDEJA
11 97440049	COD.PORTAGOMMA GOM.1/4X1/4 1/4X1/4 RUB HOSE ADAPT CONNECT	EMBOUT P.-TUYAU COUDÉ 1/4X1/4 WINKEL-SCHL.ANSCHL. 1/4X1/4	MANGO PORTAGOMA CODO 1/4X1/4
12 97550086	CLIP BLOCCA PINZETTA 1/4" 1/4" PINCERS BLOCKING CLIP	CLIP BLOC PINCETTE 1/4" SAFETY CLIP -(THERMOPL-POLYURE	CLIP BLOQUE PINZA 1/4"
13 97960068	RACC P.GOMMA CODOLO TUBO 1/4 TUBE 1/4 SHANK HOSE ADAPT CONN	CONEC.GOMME QUEUE 1/4 SCHL.ANSCHLUSS SCHL.ENDST. 1/4	CONEC.GOMA ESPIGA 1/4
14 99950961	DISTANZIALE POSTERIORE REAR SPACER	ECARTEMENT POSTERIEUR HINTEN SPACER	DISTANCIADOR TRASERO





n. Code	Descrizione / Description	Description / Beschreibung	Descripción
17 97668162	USB PEN 2.0 8GB USB PEN 4GB	CLÉ USB 2.0 8GB USB-STICK 2.0 8GB	MEMORIA USB 2.0 8 GB
18 99950314	VASSOIO IN FILO 22 LT WIRE TRAY TYPE 22L	PLATEAU EN FIL TYPE 22L DRAHTTABLETT TYPE 22L	BANDEJA ALAMBRE TYPE 22L
19 95509242	DOTAZIONE AUTOCLAVE AUTOCLAVE EQUIPMENT	OUTILS AUTOCLAVE AUSST. AUTOKLAV	DOTACION AUTOCLAVE
20 99951363	MENSOLA PORTATRAY 22/28L 22/28L TRAY HOLDER SHELF	ETAGERE PORTETRAY 22/28L BRETT TRAYTABLETT 22/28L	ESTANTE PORTATRAY 22/28L
21 99950394	PORTABUSTE SLEEVES HOLDER	PORTE-SACS BEUTELHALTER	PORTA-BOLSOS
23 95530404	ASS IMBALLO PACKAGING ASSY	ENS EMBALLAGE EINH. VERPACKUNG	CONJ. EMBALAJE
25 97920807	SCATOLA ACCESSORI (550X270X40) ACCESSORY BOX (550X270X40)	BOITE ACCESS. (550X270X40) ZUBEHOERKASTEN (550X270X40)	CAJA ACCES. (550X270X40)
26 97526185	CAVO ALIM 3X1,5 C19-SCHUKO C19-SCHUKO CHARGER CABLE 3X1,5	CABLE ALIM.3X1,5 C19-SCHUKO VERSORG.KABEL 3X1,5 C19-SCHUKO	CABLE ALIM.3X1,5 C19-SCHUKO
27 97526202	CAVO ALIM3X1,5 C19-BS1363UK C19-BS1363UK CHARG CABLE 3X1,5	CABLE ALIM.3X1,5 C19-BS1363UK VERSORGUNGSKABEL 3X1,5 C19-BS1	CABLE ALIM.3X1,5 C19-BS1363UK
28 97526215	CAVO ALIM SJTW 3XAWG14 C19-NEM SJTW 3XAWG14 C19-NEM CHAR CABL	CABLE ALIM.SJTW 3XAWG14 C19NEM VERSORGUNGSKABEL SJTW 3XAWG14	CABLE ALIM.SJTW 3XAWG14 C19NEM
30 97850038	TUBETTO GRASSO NILEX EP1 50GR NILEX EP1 50GR GREASE TUBE	TUYAU GRAISSE NILEX EP1 50GR SCHMIERETUBE NILEX WP1 50GR	TUBO GRASA NILEX EP1 50GR





1



4



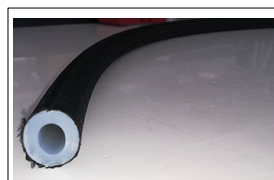
2



5



3



8

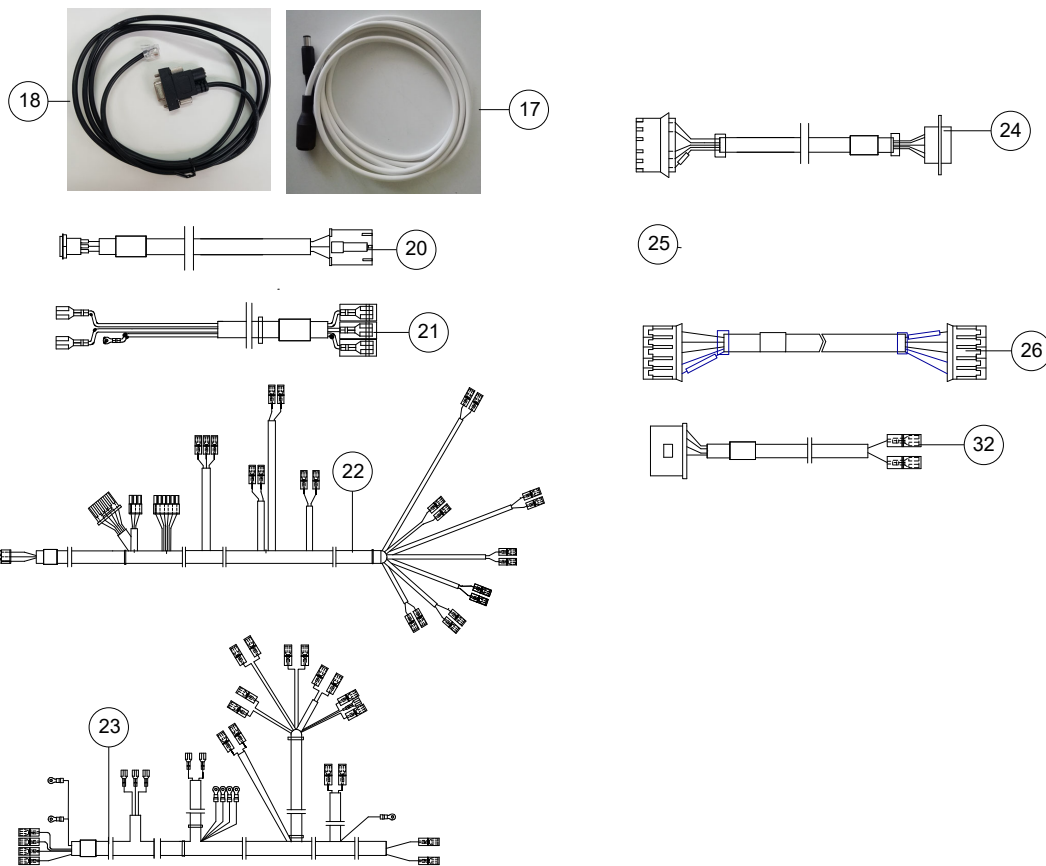


6



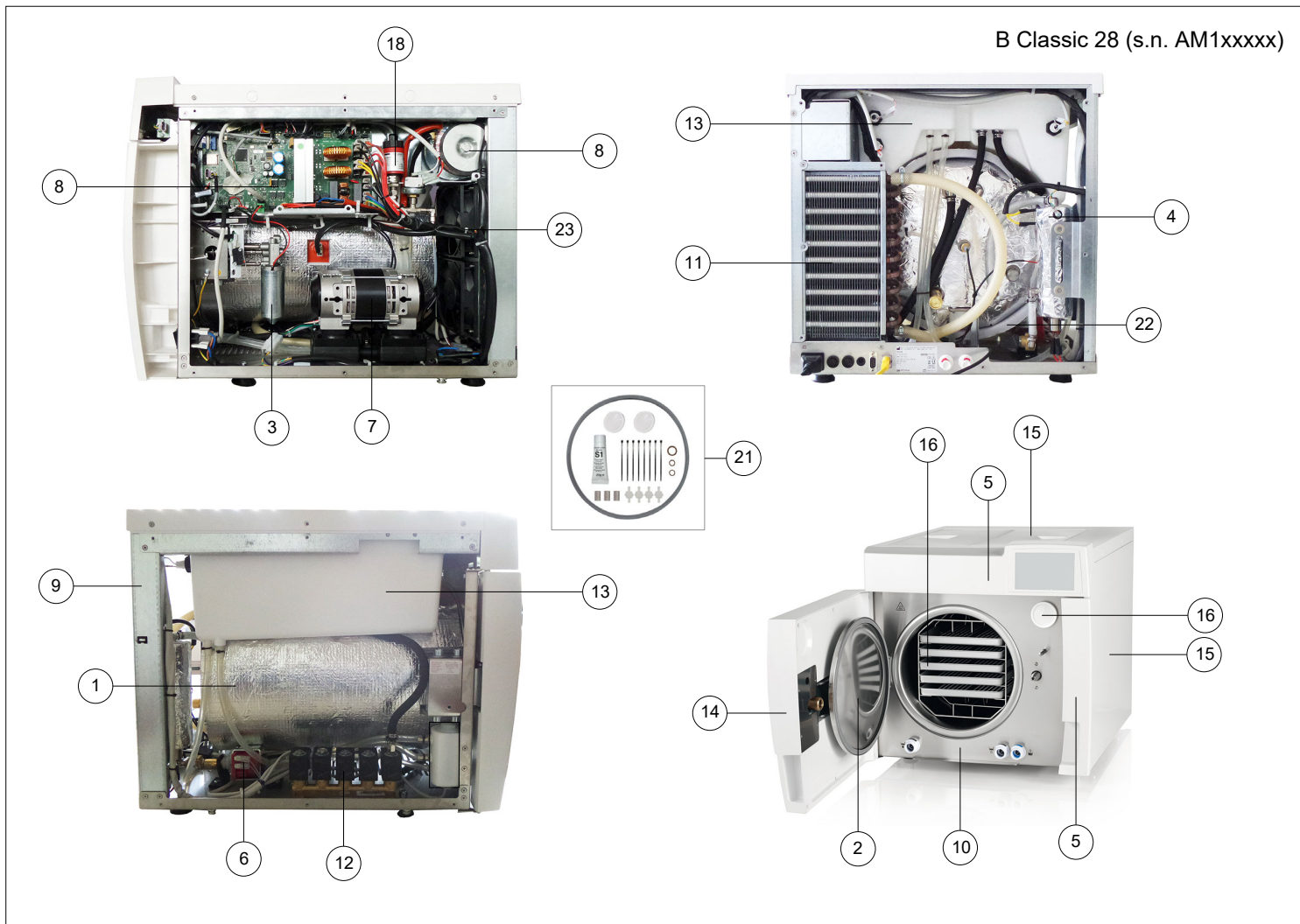
9

n. Code	Descrizione / Description	Description / Beschreibung	Descripción
1 97340142	TUBO 4X2.5 FEP 140 Teflon pipe FEP 140 4x2.5 mm.	Teflon pipe FEP 140 4x2.5 mm. Teflon pipe FEP 140 4x2.5 mm.	Teflon pipe FEP 140 4x2.5 mm.
2 97340129	TUBO SILICONE 6X10 SILICONE PIPE 6 X 10	TUYAU SILICONE 6X10 SILIKONROHR 6X10	TUBO SILICONA 6X10
3 97340131	TUBO SILICONE D=6X12 CALZ NERO SILICONE PIPE 6X12	TUYAU SILICONE 6X12 SILIKONROHR 6X12	TUBO SILICONA 6X12
4 97340232	TUBO POLIURETANO 6X8 GRIGIO POLYURETHAN 6X8 GREY TUBE	TUYAU POLYURETHANE 6X8 GRIS POLYURETHAN-SCHLAUCH 6X8 GRAU	TUBO POLIURETANO 6X8 GRIS
5 97340141	TUBO SILIC 6X13 GRIGIO-NERO SILIC.TUBE 6X12 GREY-BLACK	TUYAU SILIC. 6X12 GRIS-NOIR SILIKONSCHL. 6X12 GRAU-SCHWARZ	TUBO SILIC 6X12 GRIS-NEGRO
6 97150006	FASCETTA CLIC 66-120 CLIC STRIP 66-120	BANDE CLIC 66-120 BAND CLIC 66-120	ABRAZADERA CLIC 66-120
8 97340224	TUBO SILICONE 10X20 TRECCIATO BRAIDED 10X20 SILICON TUBE	TUYAU SILICONE 10X20 TRESSE SILIKONSCHLAUCH 10X20 VERDRILL	TUBO SILICONA 10X20 TRENZADO
9 97815296	MOLLA BIFILARE BIFM202059 BIFM202059 TWO WIRE SPRING	RESSORT BIFILAIRE BIFM202059 ZWEIFÄDIGE FEDER BIFM202059	MUELLE BIFILAR BIFM202059



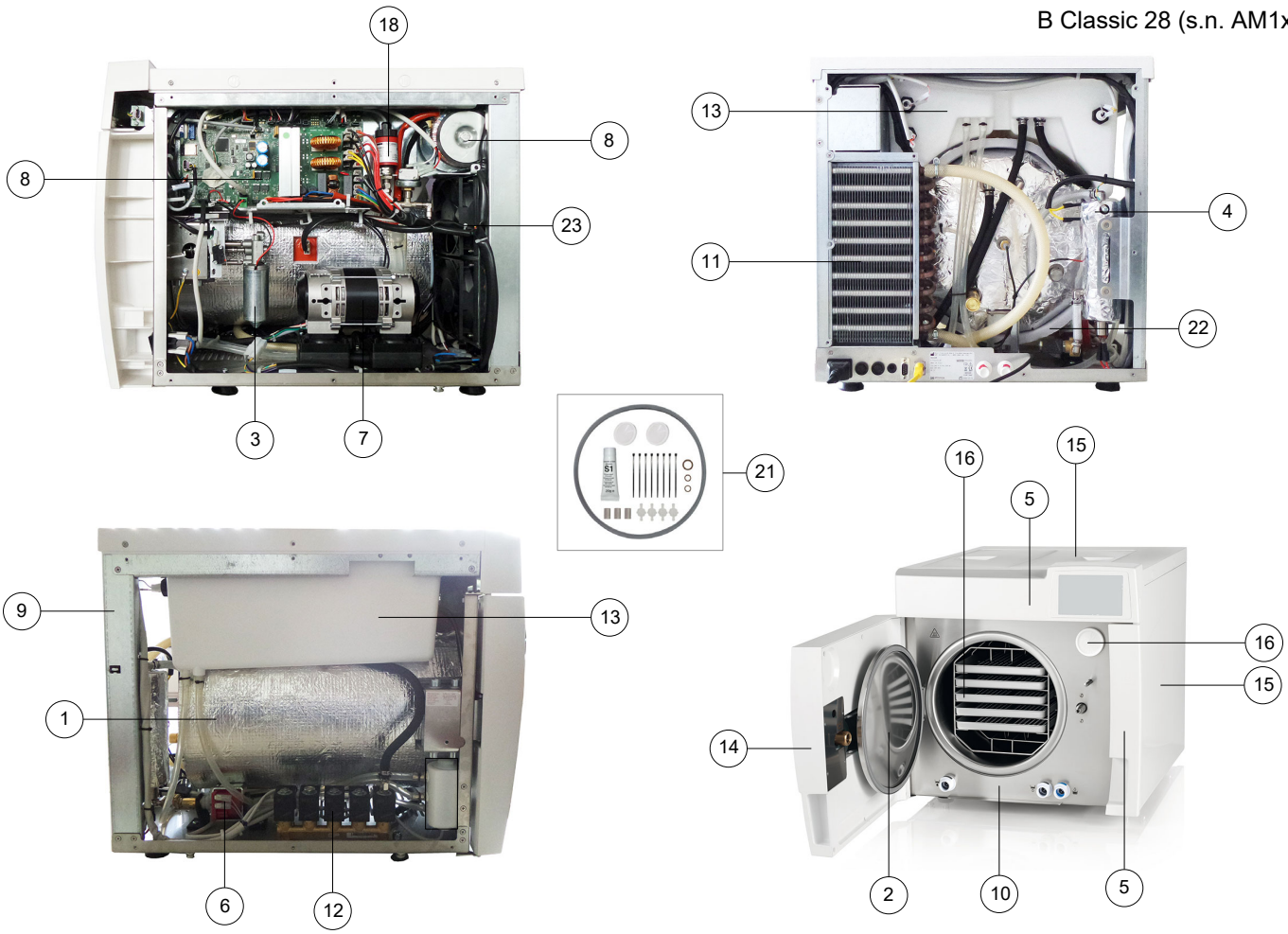
n. Code	Descrizione / Description	Description / Beschreibung	Descripción
17 97526232	PROLUNGA POMPA DI CARICO LOADING PUMP EXTENSION	RALLONGE POMPE DE CHARGEMENT LADEN VERLAENGERUNGSPUMPE	EXTEN.BOMBA DE CARGA
18 97526245	CABL. AUTOCLAVE-STAMPANTE STD STD PRINTER-AUTOCLAVE CABLE	CABLE AUTOCLAVE-IMPRIMANTE STD AUTOKLAVEN/DRUCKER STD. KABEL	CABLE AUTOCLAVE-IMPRESORA STD
20 97526188	CABLAGGIO SISTEMI DI CARICO CHARGING SYSTEM WIRING	CABL. SIST. DE CHARG. VERKABELUNG BEFÜLLUNGSSYSTEME	CABL. SISTEMA DE DESCARGA
21 97526186	CABLAGGIO FUSIBILI FUSES WIRING	CABL. FUSIBLE VERKABELUNG SICHERUNGEN	CABL. FUSIBLES
22 97526187	CABLAGGIO BASSA TENSIONE LOW VOLT.WIRING	CABL. BAISSSE TENSION VERKABELUNG NIEDERSpannung	CABL. BAJA TENSION
32 97526286	IMP. EL. MICROSWITCH DOOR MICROSWITCH DOOR EL. SYS.	IMP. EL. MICROSWITCH PORTE#N/D ELEKTR. ANL. TÜRMIKROSCHALTER	IMP.EL.MICROSWITCH PUERTA#N/D
23 97526193	CABLAGGIO ALIMENTAZIONE POWER SUPPLY WIRING	CABL. ALIMENTATION VERSORGUNGSVERKABELUNG	CABL. ALIMENTACION
24 97526190	CABLAGGIO PORTA SERIALE SERIAL PORT CABLE	CÂBLE DE PORT SÉRIE SERIELLE KABEL	CABLE DE PUERTO SERIAL
26 97526184	CABLAGGIO USB USB WIRING	CABLAGE USB USB-VERKABELUNG	CABL. USB
25 97526192	CAVO STP SCH X RETI CAT.5E 8PO CAT.5E 8PO NET BOARD STP CABLE	CÂBLE STP BLIN. P/RÉSEAUX CAT. KABEL STP NETZWERKPLAT. KAT.5E	CABLE STP TARJ. PARA REDES CAT

B Classic 28 (s.n. AM1xxxxx)



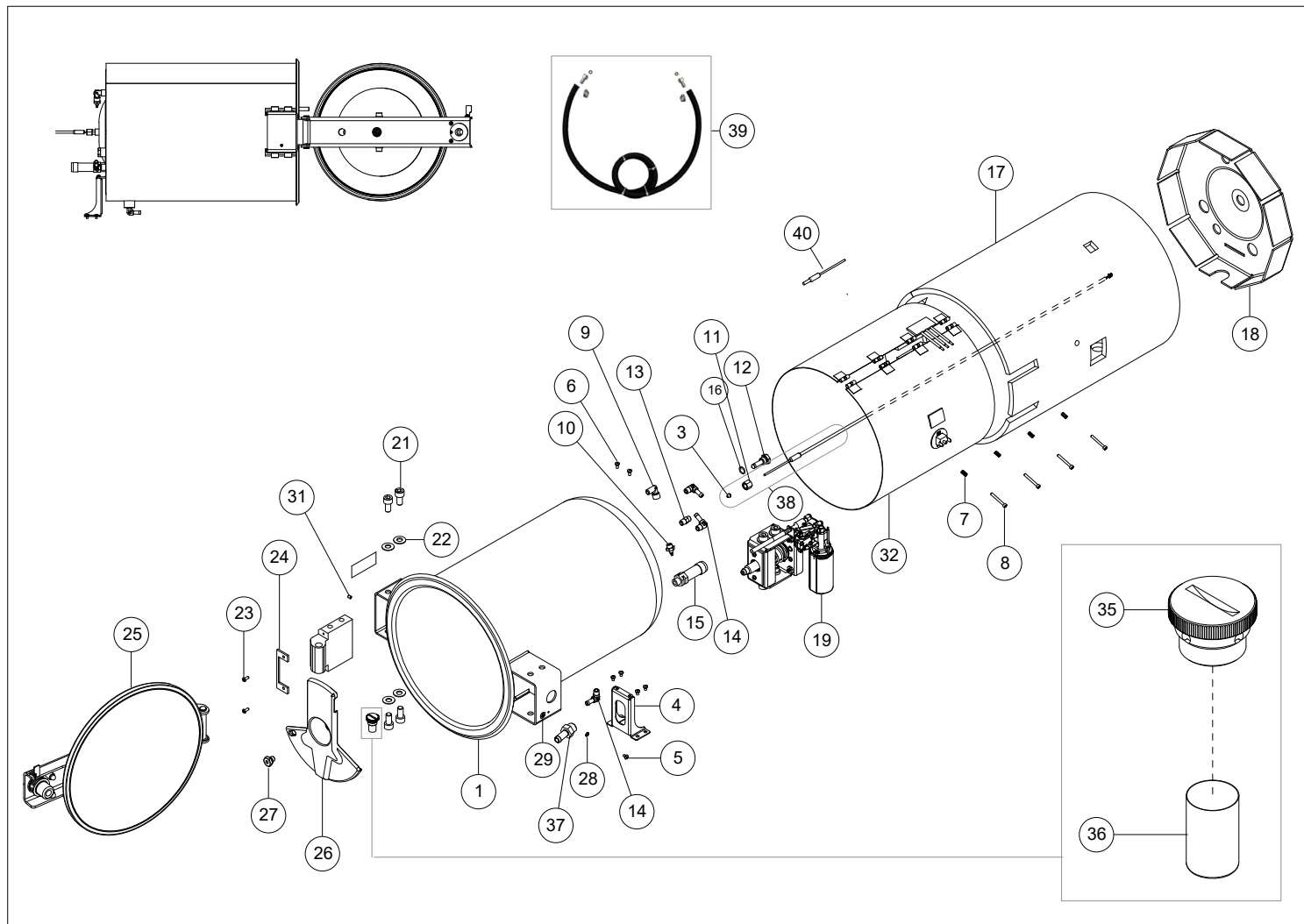
n. Code	Descrizione / Description	Description / Beschreibung	Descripción
1	Assieme caldaia 28lt Boiler assembly 28 l	Ensemble chaudière 28 l Aggregat Kessel 28 l	Conjunto caldera 28lt
2	Assieme oblò 28lt Port assembly 28 l	Ensemble hublot 28 l Tür-Aggregat 28 l	Conjunto ventana 28lt
3	Assieme sistema di chiusura Locking system assembly	Ensemble système de fermeture Aggregat Verriegelungssystem	Conjunto sistema de cierre
4	Assieme generatore di vapore 230V 230V Steam generator assembly	Ensemble générateur de vapeur 230V 230V Dampfgenerator-Aggregat	Conjunto generador de vapor 230V
5	Fascia laterale / cornice frontale / display Classic Side panel / front frame / Classic display	Bande latérale / cadre frontal / afficheur Classic Seitliche Verkleidung / Rahmen vorne / Display Classic	Banda lateral / marco frontal / pantalla Classic
6	Assieme pompa a vibrazione (generatore di vapore) Vibration pump assembly (steam generator)	Ensemble pompe à vibrations (générateur de vapeur) Vibrationspumpen-Aggregat (Dampfgenerator)	Conjunto bomba de vibración (generador de vapor)
7	Assieme pompa a vuoto HX10P3 Vacuum pump assembly HX10P3	Ensemble pompe à vide HX10P3 Vakuumpumpen-Aggregat HX10P3	Conjunto bomba de vacío HX10P3
8	Assieme scheda Board assembly	Ensemble carte Aggregat Platine	Conjunto tarjeta
9	Traverse e portale Crosspieces and frame	Traverses et portail Querträger und Rahmen	Travesaños y portal
10	Chassis varie Chassis, various components	Châssis divers Chassis, verschiedene Teile	Chasis varias
11	Scambiatore di calore Heat exchanger	Échangeur de chaleur Wärmeaustauscher	Intercambiador de calor
12	Assieme manifold Manifold assembly	Ensemble manifold Manifold-Aggregat	Conjunto manifold
13	Assieme serbatoio carico / scarico Filling/drain tank assembly	Ensemble réservoir de chargement / vidange Aggregat Befülltank / Ablassstank	Conjunto depósito de carga / descarga
14	Assieme sportello Mocom Mocom Door assembly	Ensemble trappe Mocom Aggregat Mocom Türklappe	Conjunto puerta Mocom

B Classic 28 (s.n. AM1xxxxx)

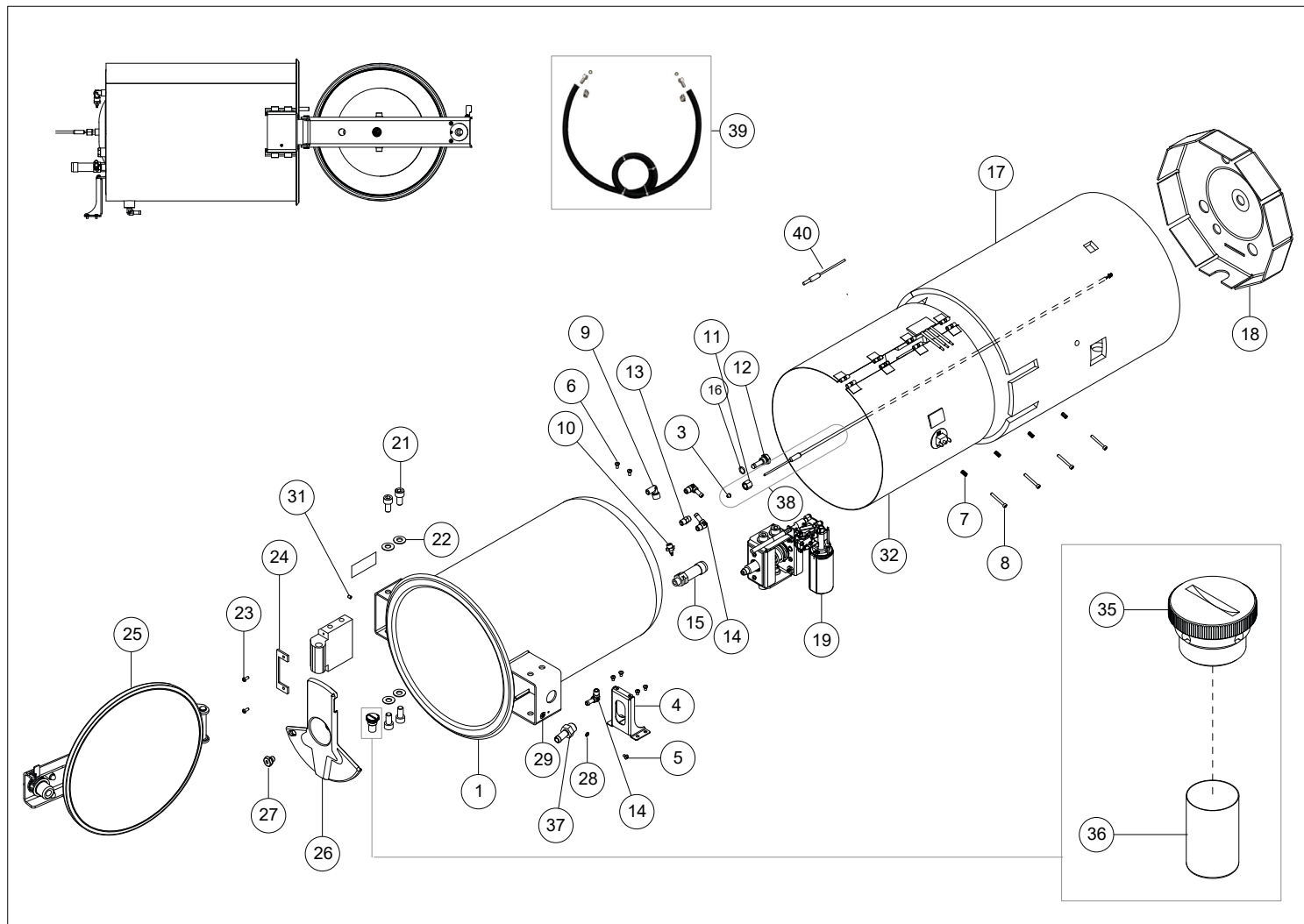


n. Code	Descrizione / Description	Description / Beschreibung	Descripción
15	Coperture Covers	Couvertures Abdeckungen	Coberturas
16	Dotazione (Classic) Equipment (Classic)	Dotation (Classic) Ausstattung (Classic)	Equipamiento (Classic)
18	Assieme trasduttore e pressostato Transducer and pressure switch assembly	Ensemble transducteur et pressostat Einheit Geber und Druckwächter	Conjunto transductor y presostato
21	<b>95509168</b> KIT MANUTENZ. ANNUALE 28 LT ANNUAL MAINTENANCE KIT 28LT	KIT ENTRETIEN ANNUEL 28 LT KIT JÄHRLICHE WARTUNG 28 L	KIT MANTENIMIENTO ANUAL 28LT
22	Tubazioni - Cablaggi Piping - Wiring	Tuyauteries - Cabalges Rohrleitungen - Kabel	Tuberías - Cableados
23	Cablaggi Wiring	Cabalges Kabel	Cableados

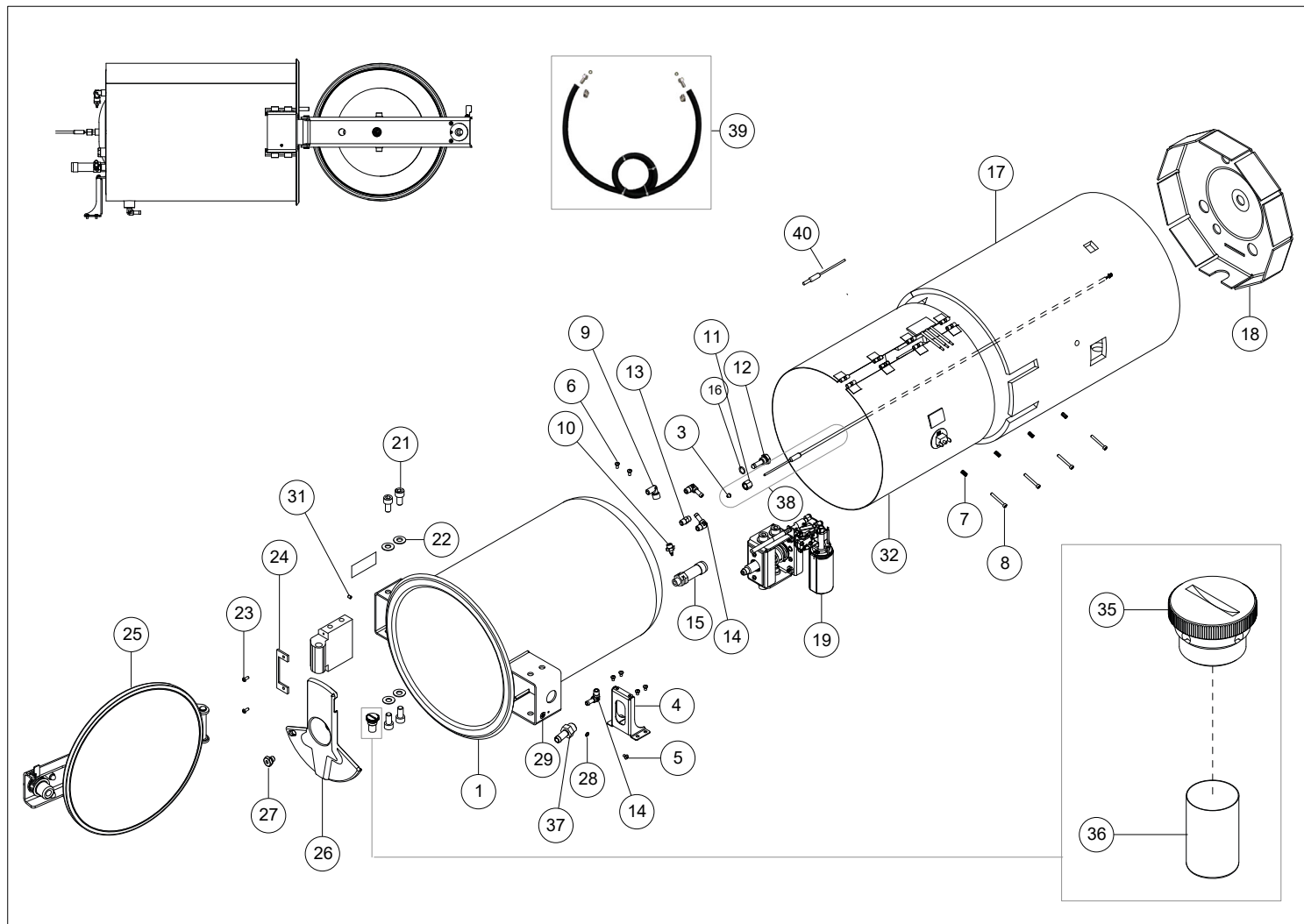




n. Code	Descrizione / Description	Description / Beschreibung	Descripción
1	99951887		
3	99950030 RACC SONDA PROBE FITTING	RACCORD SONDE SONDENANSCHLUSS	EMP SONDA
4	99950989 STAFFA SUPPORTO CALDAIA BOILER SUPPORT BRACKET	SUPPORT DE CHAUDIÈRE KESSEL-HILFS-KLAMMER	SOPORTE DE CALDERA
5	99950001 VITE T.CIL.CROCE ZIGR.SOTT.4X6 SOCKET HEAD SCREW M4X6 A2	VIS TC CRUCIFORME M4X6 A2 KR-SCHLITZSCHRAUBE ZK M4X6 A2	TORNILLO C/CIL CRUZ M4X6 A2
6	99950002 VITE T.CIL.CROCE ZIGR.SOTT.4X8 CROSSHEAD SCREW M4X8 A2	VIS TC CRUCIFORME M4X8 A2 KR-SCHLITZSCHRAUBE ZK M4X8 A2	TORNILLO C/CIL CRUZ M4X8 A2
7	97815248 MOLLA C D7,3 DF 1 LF10 D7.3 DF 1 LF10 C SPRING	RESSORT C D7,3 DF 1 LF10 FEDER C D7,3 DF 1 LF10	MUELLE C D7,3 DF 1 LF10
8	FM111C440 VITE TCEI M4X40 ZINC TCEI SCREW M4X40 GALV	VIS TCHC M4X40 ZING SCHRAUBE TCEI M4X40 VERZ	TORNILLO TCEI M4X40 CINC
9	97960028 RACC ANG FM G1/8 ANG FITTING FM G1/8	RACC. ANG. FM G1/8 WINKEL-ANSCHLUSS FM G1/8	UNION ANG FM G1/8
10	97988600 RACC DIRITTO MASC. 1/8 + RESCA STRAIGHT FITTING 1/8 MALE	RACCORD DROIT 1/8 MÂLE CANNELÉ GERADER ANSCHLUSS MÄNNL. 1/8 +	UNIÓN RECTA MACHO 1/8 + ESPIGA
11	99950028 DADO RACC SONDA 12X11.5 PROBE FITTING NUT 12X11.5	ÉCROU RACCORD SONDE 12X11.5 MUTTER F SONDENANSCHL 12X11.5	TUERCA EMP SONDA 12X11.5
12	99951447 RACC. TAPPO CON FERMO BRAKE CAP CONNECTOR	CONEC. BOUCH. AVEC ARRET ANSCHL. DECKEL MIT VERSCHLUSS	CONEX. TAPA CON TOPE
13	99950031 RACC SONDA ESAG G1/8 G1/8 HEX PROBE FITTING G1/8 G1/8	RACC. SONDE HEXAG. G1/8 G1/8 SECHSKANTVER. SONDE G1/8	UNION SONDA ESAG G1/8 G1/8
14	99950946 RACC. P.GOMMA ANG M G1/8 D7,9 M G1/8 D7.9 ANG HOSE CONNECTR	RACC.P.TUYAU COUDÉ M G1/8 D7,9 WINKELSCHL.ANSCHL. M G1/8 D7,9	CONEX PORTAG ANG M G1/8 D7,9
15	97290156 VALVOLA SIC.TUVV 1/4" T2.4 BAR SAFETY VALVE 1/4-T 2.4 BAR"	CLAPET/SÛRETÉ 1/4-T 2.4 BAR" SICHERHEITSV. 1/4-T 2.4 BAR"	VALVULA SIC 1/4-T 2.4 BAR"

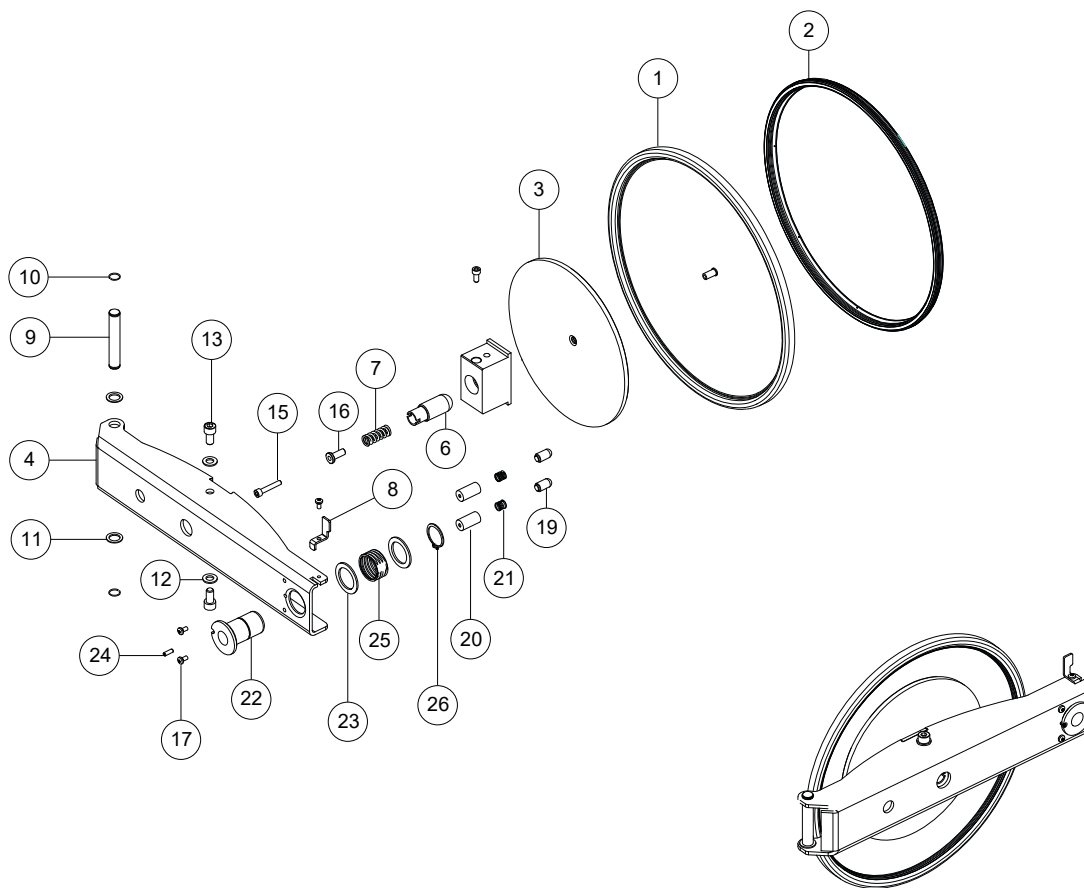


n. Code	Descrizione / Description	Description / Beschreibung	Descripción
16 97360013	OR 1,78X11,11 VITON 75 SHA OR 1.78X11.11	JOINT TORIQUE 1,78X11,11 O-RING 1,78X11,11	OR 1,78X11,11
17 99951033	PANNELLO TERMOISOL.28 THERMO-INSULATING PANEL.28	PANNEAU THERMOISOL.28 WÄRMEISOL. PLATTE28	PANEL TERMOAISL. 28
18 99951034	PANNELLO TERMOIS.POST.28 REAR HEAT INSULATING PANEL 28	PANNEAU THERMOIS.ARR.28 HINT. WÄRMEISOL. PLATTE28	PANEL TERMOAISL. TRAS. 28
19 95530817	ASS GRUPPO CHIUSURA A VITE SCREW CLOSING GROUP	GR. FERMETURE A VIS SCHRAUBENSCHLISSGRUPPE	JUN.GR.CIERRE A TORNILLO
20 99951476	STAFFA FULCRO PIVOT BRACKET	ETRIER CENTRE ANSCHWENKBÜGEL	SOPORTE FULCRO
21 51232019	VITE TCEI M10X20 8.8 SCREW TCEI M10X20 8.8	VIS TCEI M10X20 8.8 SCHRAUBE TCEI M10X20 8.8	TORNILLO TCEI M10X20 8.8
22 53104124	NON FORNIBILE NOT AVAILABLE	NON DISPONIBILE A LA VENTE NICHT LIEFERBAR	NO SUMINISTRABLE
23 51262070	VITE T/BOMB EI M4X10 INOX T/BOMB SCREW EI M4X10 INOX	VIS T.BOMBÉE EI M4X10 INOX LINSENKOPFSCHRAUBE EI M4X10 ED	TORNILLO C/ABOMB. EI M4X10 ACE
24 99951467	DISTANZIALE LATO CERNIERA HINGE SIDE SPACER	ENTRETOISE COTE CHARNIERE DISTANZST. SCHARNIERSEITE	DISTANCIADOR LADO CREMALLERA
25 95530846	ASS GRUPPO CALDAIA 28 L ASS GRUPPO CALDAIA 28 L	ASS GRUPPO CALDAIA 28 L ASS GRUPPO CALDAIA 28 L	ASS GRUPPO CALDAIA 28 L
26 97467185	COPERTURA CONNETTORI CONNECTORS COVER	COUVERTURE CONNECTEURS ABDECKUNG STECKVERBINDER	COBERTURA CONECTORES
27 99951446	DADO FISS. DIFFUSORE DIFFUSER FIXING NUT	VIS FISS. DIFFUSEUR BEF.MUTTER STREUSCHEIBE	TORN. FIJ. DIFUSOR
28 53135028	ROND DENT EST D 4 Z.D.BIANCA INDENT.WASHER EST D 4 Z.D.WHIT	RONDELLE DENTELÉE EXT D 4 G.D. ZAHNSCHEIBE AUSS. D 4 Z.D.WEIS	ARAND. DENT. EXT. D 4 C.D. BLA
29 97780158	TARGA MASSA D=10MM FONDO GROUND PLATE D=10MM	PLAQUE MASSE D=10MM SCHILD ERDUNG	PLACA MASA

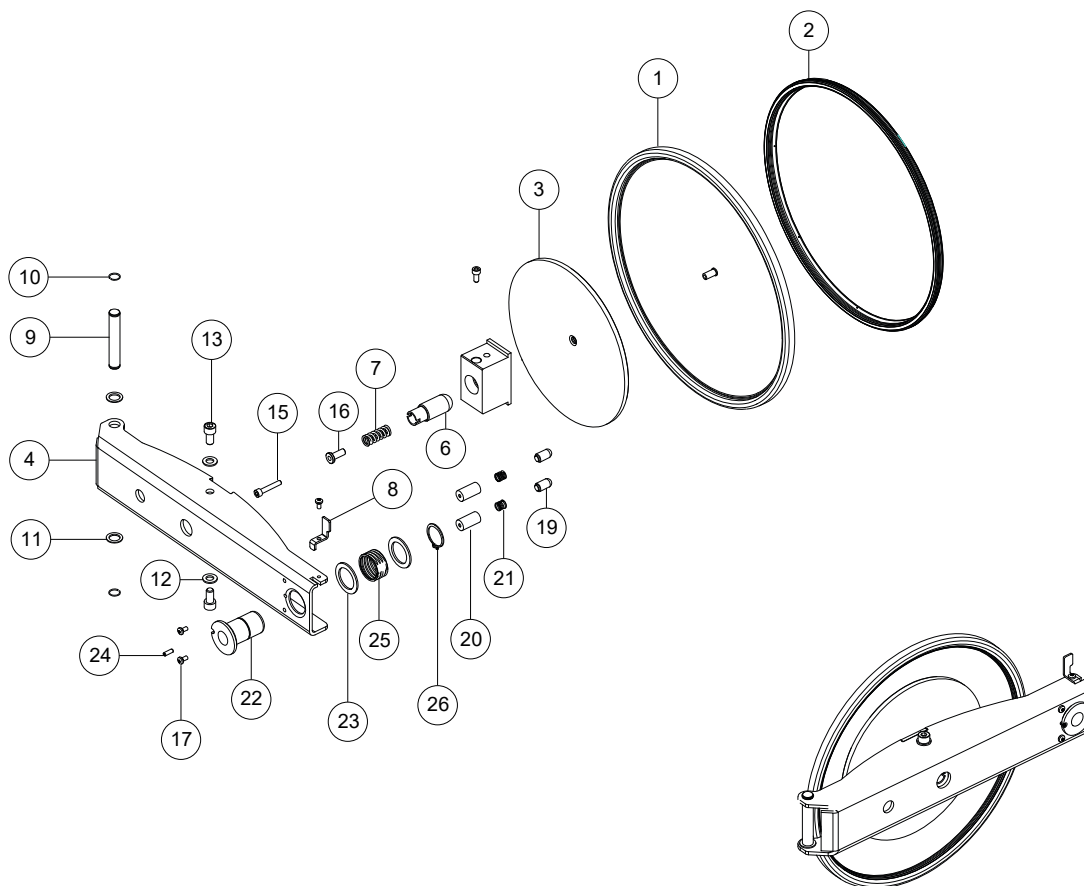


n. Code	Descrizione / Description	Description / Beschreibung	Descripción
31 51272004	GRANO EI M5X6 PI 12.9 GRUB SCREW EI M5X6 PI 12.9	VIS. EI M5X6 PI 12.9 GEWINDESTIFT EI M5X6 PI 12.9	TORN. EI M5X6 PI 12.9
32 97650044	ETCHED FOIL 28LT 115+115V 28L BAND RESISTOR WITH PT3/SAF	ETCHED FOIL 28 L 115+115 V ETCHED FOIL 28LT 115+115V	LÁMINA GRABADA 28 L 115+115 V
35 99950987	RACC PORTAFILTRO CON INTAGL FILTER CARRIER COUPL W/CUTTING	RACC.PORTE-FILTRE AVEC CRÉNEAU ANSCHL. FILTERHALTER MIT NUT	CONEX PORTAFILTRO CON CORTE
36 97290210	FILTRO ASS SERBATOIO TANK WATER FILTER	FILTRE EAU RÉSERVOIR FILTER FÜR WASSER BEHÄLTER	FILTRO AGUA DEPÓSITO
37 99950948	RACC. P.GOMMA DIR M G1/8 D7,9 M G1/8 D7.9 STR HOSE CONNECTR	RACC.P.-TUYAU DR.M G1/8 D7,9 GER. SCHL.ANSCHL. M G1/8 D7,9	CONEX PORTAG RECT M G1/8 D7,9
38 95509175	KIT RICAMBIO PT1000 PT100 SPAREPART KIT	KIT RECHANGE PT1000 ERSATZKIT PT100	KIT RECAMBIO PT1000
39 95509245	COLL. CALDAIA_MPX TUBO TELATO REINF. HOSE MPX_BOILER CONN.	COLL. CHAUD_MPX TUYAU BACHÉ BUND KESSEL_MPX SCHL M. GEWEB.	COL. CALDERA_MPX TUBO DE LIENZ
40 97668171	SONDA PT1000 D.4X50 (PT3) PT1000 D.4X50 (PT3) PROBE	SONDE PT1000 D.4X50 (PT3) PROBE PT1000 D.4X50 (PT3)	SONDA PT1000 D.4X50 (PT3)

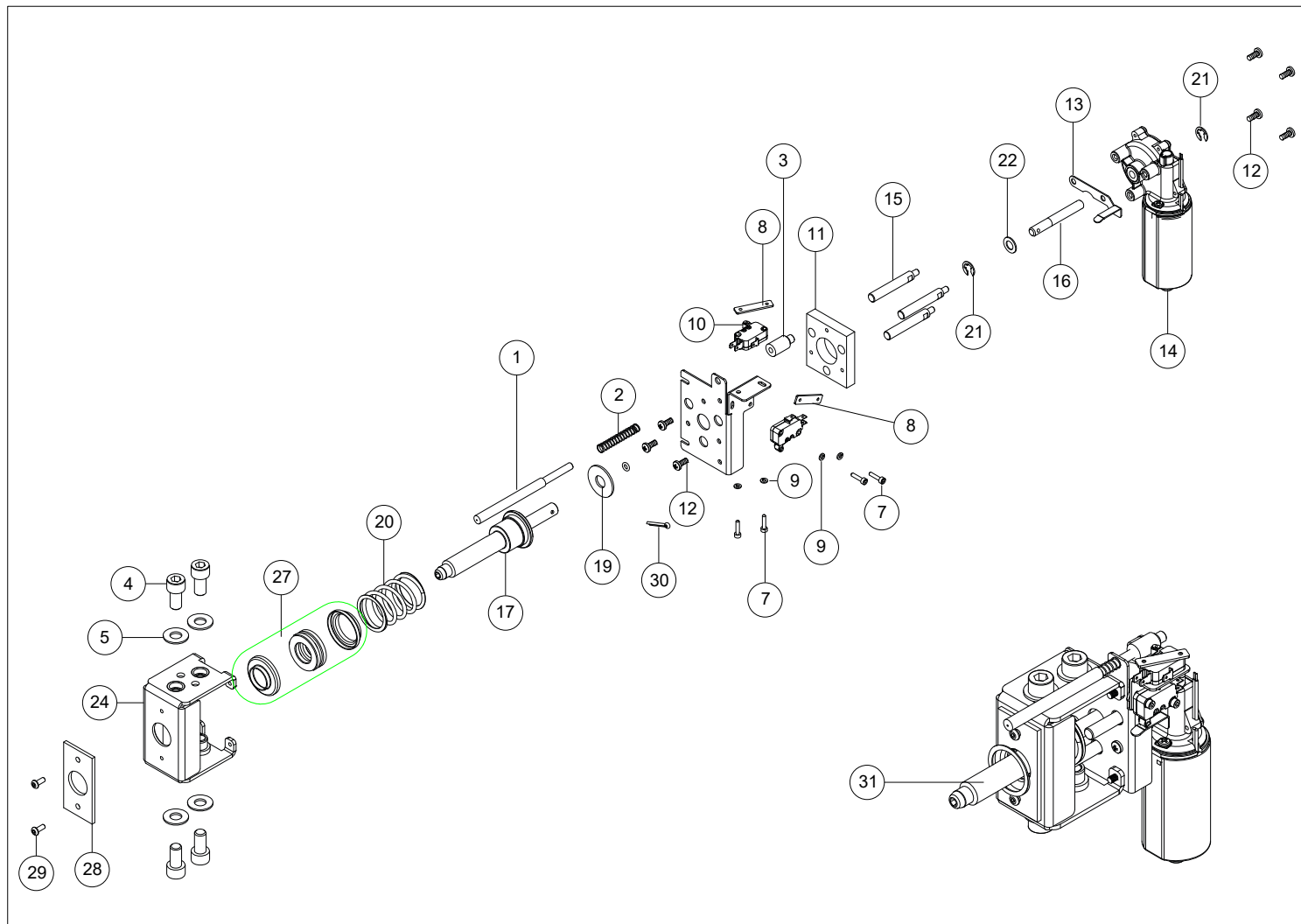




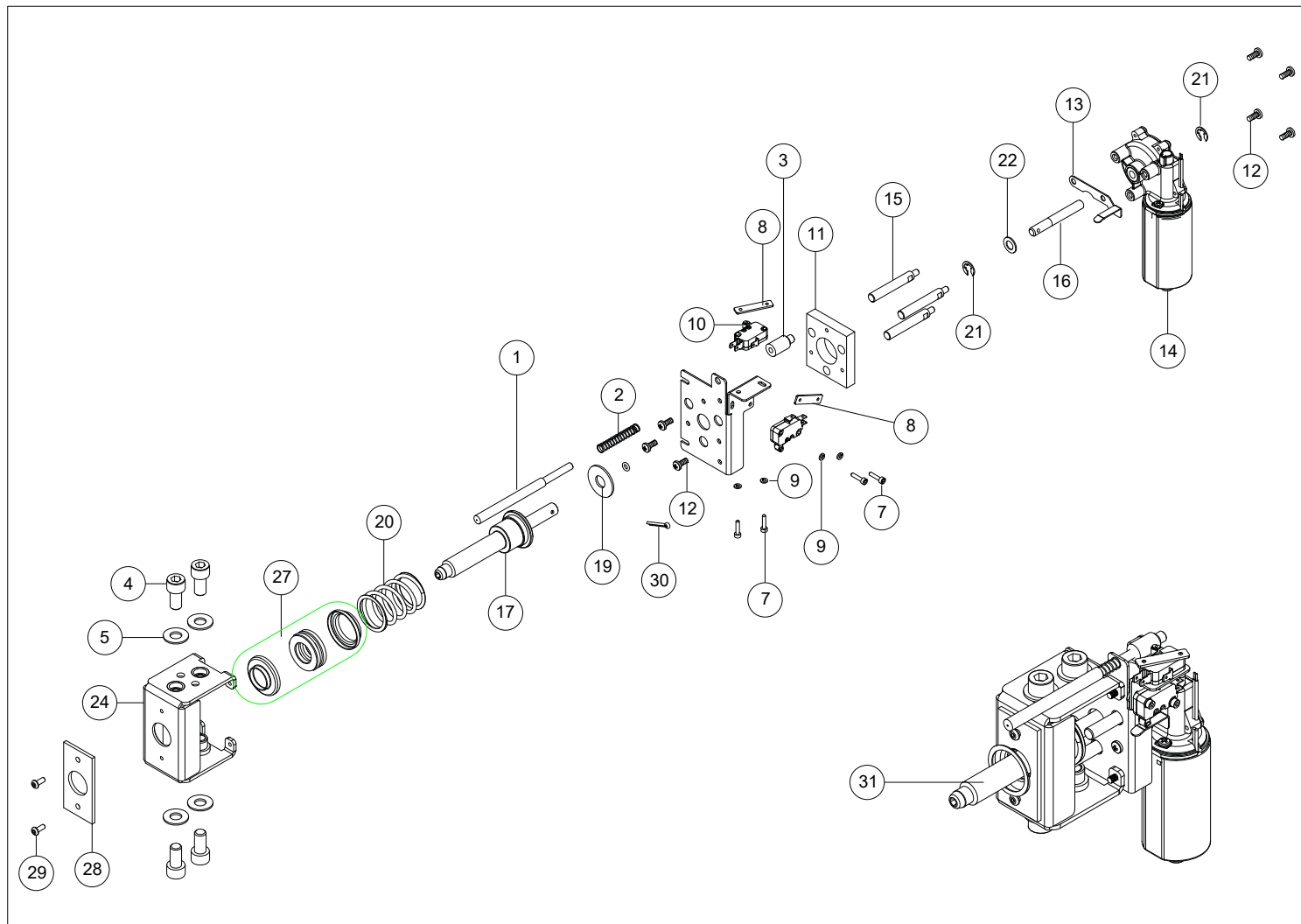
n. Code	Descrizione / Description	Description / Beschreibung	Descripción
1 99951896			
2 97467471	GUARNIZIONE 28LT GUARNIZIONE 28LT	GUARNIZIONE 28LT GUARNIZIONE 28LT	GUARNIZIONE 28LT
3 99951178	FLANGIA (CALDAIA LT.28) FLANGE(WATER HEATER LT28)	BRIDE (CHAUDIÈRE 28 L) FLANSCH (KESSEL 28 L)	BRIDA (CALDERA L 28)
4 99951032	TRAV.CHIUS. VITE CALDAIA 28 SCREW CLOSING CROSS BAR 28	TRAVERSE FERMETURE VIS CHAUDIÈ TRAVERSE VERSCHL. SCHRAUBE KES	TRAV. CERR. TORNILLO CALDERA 2
6 99951219	INSERTO SFERICO SPHERICAL INSERT	INSERT SPHERIQUE KUGELEINSATZ	INSERTO ESFERICO
7 97815262	MOLLA PER OBLO' WINDOW SPRING	RESSORT SPHERE FENSTERFEDER	RESORTE PARA VENTANILLA
8 99950984	ANGOLARE ANGULAR BRACKET	SUPPORT ANGULAIRE ECKIGE KLAMMER	SOPORTE ANGULAR
9 99950986	PERNO CERNIERA HINGE PIN	AXE DE CHARNIÈRE KUPPLUNGSSTAB	PASADOR DE LA BISAGRA
10 97200197	ANELLO ARRESTO ALBERO D=12 STOPPING SHAFT RING D=12	ARRET ARBRE BAGUE D=12 STOPPING RING WELLE D=12	DETENER EL EJE DE ANILLO D=12
11 53104137	RONDELLE D'APPOGGIO TIPO SS SUPPORT WASHERS TYPE SS	APPUI RONDELLES TYPE SS UNTERSTÜTZUNG WASCHMASCHINEN T	ARANDELAS DE APOYO TIPO SS
12 53104015	ROND D8.4X16 S1.6 R40 WASHER 8.4X17 S 1.6 R40	RONDELLE 8.4X17 S 1.6 R40 BEILEGSCHIBE 8.4X17 S 1.6	ARAND. D8,4X16 S1,6 R40
13 51232089	VITE TCEI M8X16 8.8 M8X16 8.8 TCEI SCREW	VIS TCEI M8X16 8.8 SCHRAUBE TCEI M8X16 8.8	TORNILLO TCEI M8X16 8.8
15 51232535	NON FORNIBILE NON FORNIBILE	NON FORNIBILE NON FORNIBILE	NON FORNIBILE
16 99951221	BOCCOLA BOCCOLA	BOCCOLA BOCCOLA	BOCCOLA



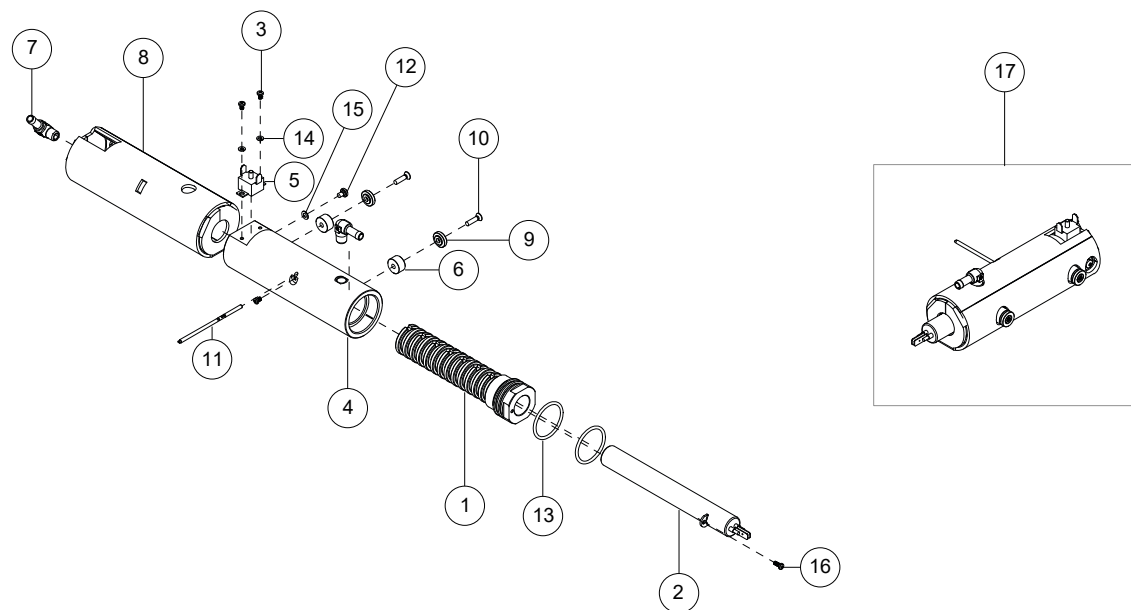
n. Code	Descrizione / Description	Description / Beschreibung	Descripción
17 99950002	VITE T.CIL.CROCE ZIGR.SOTT.4X8 CROSSHEAD SCREW M4X8 A2	VIS TC CRUCIFORME M4X8 A2 KR-SCHLITZSCHRAUBE ZK M4X8 A2	TORNILLO C/CIL CRUZ M4X8 A2
19 99951043	SPINTORE PUSHER	POUSSOIR SCHIEBER	EMPUJADOR
20 99951044	SUPPORTO SPINTORE SUPPORT PUSHER	POUSSOIR DE SOUTIEN UNTERSTÜTZUNG-SCHIEBER	EMPUJADOR DE APOYO
21 97815199	MOLLA GUIDA CINGHIA BELT GUIDE SPRING	CEINTURE GUIDE RESSORT GÜRTEL-GUIDE-FRÜHLING	CORREA GUÍA DE PRIMAVERA
22 99950963	BOCCOLA TR 16X3 BUSHING TR 16X3	BAGUE TR 16X3 STECKHÜLSE-TR 16X3	BUJE TR 16X3
23 53107027	ROSETTA DI 26.1 DE 36.8 SP 2 SPECIAL WASHER ROSETTE DESIGN	ROSETTE RONDELLE SPÉCIALE DESI SPEZIELLE WASCHMASCHINE ROSETT	ARANDELA ESPECIAL ROSETA DISEÑ
24 54302017	SPINA TUB ELAS D 4X12 ELASTIC HOSE PLUG D 4X12	GOUP. TUBE ELAST. D 4X12 SCHLAUCHSTECKER D 4X12	PASADOR TUB. ELÁS. D 4X12
25 97815244	MOLLA BOCCOLA SPRING BUSHING	BAGUE PRINTEMPS FRÜHLING-BUSHING	BUJE DE RESORTE
26 55121015	ANELLO SEEGER X ALB D 25 RING SEEGER X ALB D 25	ANNEAU SEEGER X ALB D 25 SEEGER-RING FÜR WELLE D 25	ANILLO SEEGER X ALB D 25



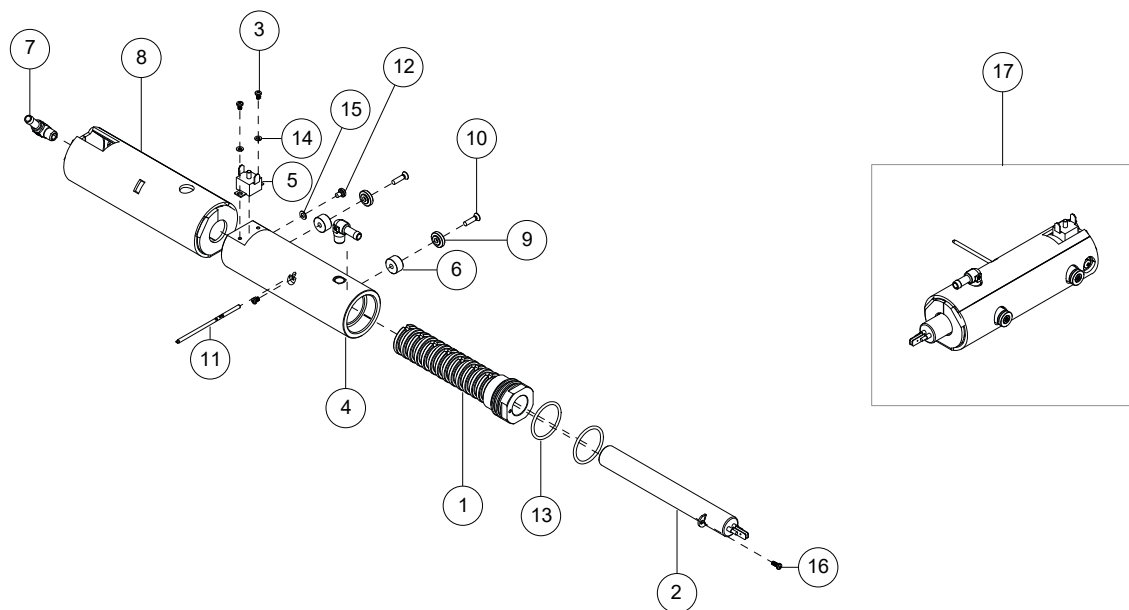
n. Code	Descrizione / Description	Description / Beschreibung	Descripción
1 99951400	PERNO MICRO PORTA PERNO MICRO PORTA	PERNO MICRO PORTA PERNO MICRO PORTA	PERNO MICRO PORTA
2 97815245	MOLLA MICRO MICRO SPRING	MICRO RESSORT MICRO-FRÜHLING	MICRO RESORTE
3 99951402	TESTINA TERMINALE PERNO AZION TESTINA TERMINALE PERNO AZION	TESTINA TERMINALE PERNO AZION TESTINA TERMINALE PERNO AZION	TESTINA TERMINALE PERNO AZION
4 51232019	VITE TCEI M10X20 8.8 SCREW TCEI M10X20 8.8	VIS TCEI M10X20 8.8 SCHRAUBE TCEI M10X20 8.8	TORNILLO TCEI M10X20 8.8
5 53104124	NON FORNIBILE NOT AVAILABLE	NON DISPONIBILE A LA VENDE NICHT LIEFERBAR	NO SUMINISTRABLE
6 99951547	LAMIERA SUPPORTO MICRO LAMIERA SUPPORTO MICRO	LAMIERA SUPPORTO MICRO LAMIERA SUPPORTO MICRO	LAMIERA SUPPORTO MICRO
7 51232130	VITE TCEI M3X14 8.8 M3X14 8.8 TCEI SCREW	VIS TCEI M3X14 8.8 SCHRAUBE TCEI M3X14 8.8	TORNILLO TCEI M3 X14 8.8
8 99951368	PIASTRINO RISC. MICRO MICRO HEATING PLATE	PLAQUE CHAUF. MICRO PLÄTTCHEN ERWÄRM. MIKRO	PLACA CALEF. MICRO
9 53113001	ROND ELAS GROWER X M3 ELAS GROWER WASHER X M3	RONDELLE ELAS GROWER X M3 BEILEGSCHIEBE ELAS GROWER X M3	ARANDELA ELAS GROWE X M3
10 97668137	MICROINTERRUTT.D3V-015-1C23 D3V-015-1C23 MICROSWITCH	MICROCONTACT D3V-015-1C23 MIKROSCHALTER D3V-015-1C23	MICROINTERRUPT D3V-015-1C23
11 99951401	PIASTRA MOTORIDUTTORE MOTOREDCER PLATE	MOTOREDCER PLATE MOTOREDCER PLATE	MOTOREDCER PLATE
12 51237028	VITE TC CROCE M4X10 4.8 M4X10 8.8 TC CROSS SCREW	VIS TC CROIX M4X10 8.8 M4X10 8.8 TC SCHRAUBE	TORNILLO TC CRUZ M4X10 8.8
13 99951548	LAMIERA ATTIVAZIONE MICRO LAMIERA ATTIVAZIONE MICRO	LAMIERA ATTIVAZIONE MICRO LAMIERA ATTIVAZIONE MICRO	LAMIERA ATTIVAZIONE MICRO
14 97217900	MOTORIDUTTORE GRUPPO CHIUSURA SEEFRIID 634.019DCGM43T42 MOT	MOTEU.SEEFRID 634.019DCGM43T42 MOT. SEEFRIID 634.019DCGM43T42	MOTOR SEEFRIID 634.019DCGM43T42



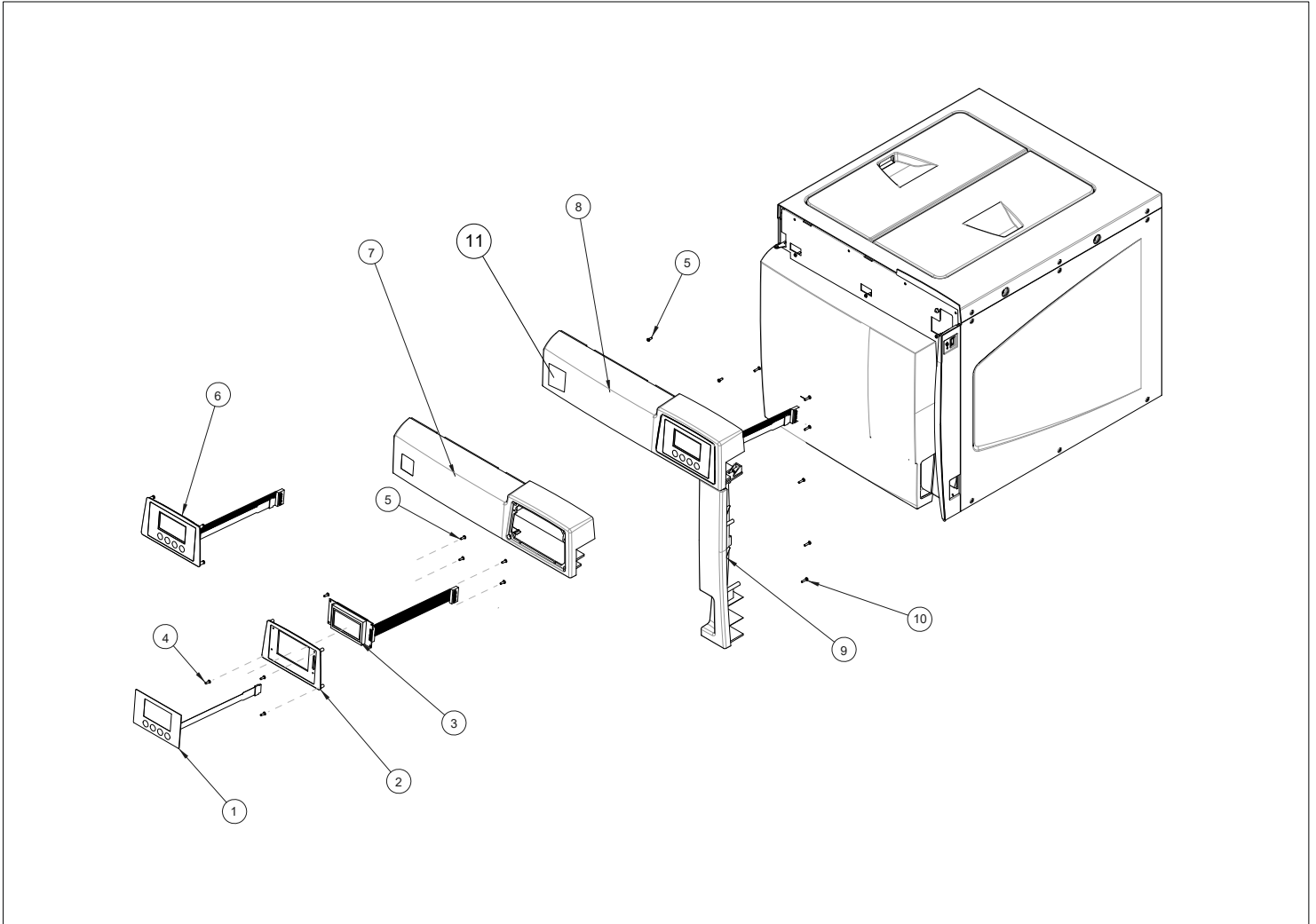
n. Code	Descrizione / Description	Description / Beschreibung	Descripción
15 99951398	GUIDA MOTORIDUTTORE MOTOREDCER GUIDE	GUIDE MOTOREDUCTEUR GETRIEBEMOTORENFUEHRUNG	GUIA MOTORREDUCTOR
16 99950975	ALBERO SCANALATO DIN 5481 SPLINED SHAFT DIN5481	ARBRE CANNELE' DIN5481 VERZAHNTE WELLE DIN5481	EJE ESTRIADO DIN5481
17 99951397	PERNO FILETTATO TR 16X3 16X3 TR THREADED PIN	PIVOT FILETAGE TR 16X3 GEWINDESTIFT TR 16X3	PERNO FILETE TR 16X3
19 99950966	ANELLO RING	ANNEAU RING	ANILLO
20 97815282	MOLLA SISTEMA DI AGGANCIO COUPLING SYSTEM SPRING	RESSORT SYSTEME D'ACCROCHAGE FEDER KUPPLUNGSSYSTEM	MUELLE SISTEMA DE ACOPLAMIENTO
21 55103004	ANELLO BENZIG RS7 RS7 BENZIG RING	ANNEAU BENZIG RS7 RS7 BENZIG RING	ANILLO BENZIN RS7
22 53113026	ROSETTA ELASTIC D=8 DIN137B ELASTIC WASHER D = 8 DIN137B	RONDELLE ÉLASTIQUE D = 8 DIN13 ELASTISCHE SCHEIBE D = 8 DIN13	ARANDELA ELÁSTICA D = 8 DIN137
23 97360800	OR 1,78x4,47 NBR 70 O RING 2018	JOINT OR 1,78X4,47 NBR 70 O-RING 2018	O ANILLO 2018
24 99951231	STAFFA SISTEMA CHIUSURA STAFFA SISTEMA CHIUSURA	STAFFA SISTEMA CHIUSURA STAFFA SISTEMA CHIUSURA	STAFFA SISTEMA CHIUSURA
27 95509151	ASSIEME RALLA SLEWING RING ASS.Y	GR.COURONNE D'ORIENTATION SCHEIBENGRUPPE	GR RANGUA
28 99951466	DISTANZIALE LATO CHIUSURA DISTANZIALE LATO CHIUSURA	DISTANZIALE LATO CHIUSURA DISTANZIALE LATO CHIUSURA	DISTANZIALE LATO CHIUSURA
29 51262070	VITE T/BOMB EI M4X10 INOX T/BOMB SCREW EI M4X10 INOX	VIS T.BOMBÉE EI M4X10 INOX LINSENKOPFSCHRAUBE EI M4X10 ED	TORNILLO C/ABOMB. EI M4X10 ACE
30 54601015	COPIGLIA INOX 3,2X20 3,2X20 INOX SPLIT PIN	GOUPILLE 3,2X20 INOX SPLINT EDELSTAHL 3,2X20	CHAVETA ACERO INOXIDABLE 3,2X2
31 95530817	ASS GRUPPO CHIUSURA A VITE SCREW CLOSING GROUP	GR. FERMETURE A VIS SCHRAUBENSCHLIESSGRUPPE	JUN.GR.CIERRE A TORNILLO



n. Code	Descrizione / Description	Description / Beschreibung	Descripción
1 99950992	CORPO INTERNO GENERATORE GENERATOR INSIDE BODY	CORPS INT. GÉNÉRATEUR INNENKÖRPER GENERATOR	CUERPO INTERNO GENERADOR
2 97650041	RESISTENZA 230V - 2000W RESISTANCE 230V - 200W	RESISTANCE 230V - 200W STANDFESTIGKEIT 230V - 200W	RESISTENCIA 230 V - 2000W
3 51237059	VITE TC CROCE M3X5 ZINC.BIANC SCREW TC CROCE M3X5 ZINC.BIANC	VIS TC CROCE M3X5 ZINC.BIANC KREUZKOPFSCHRAUBE M3X5 VERZINK	TORNILLO TC PHILLIPS M3X5 CINC
4 99950993	CORPO ESTERNO GENERATORE GENERATOR OUTSIDE BODY	CORPS EXT. GÉNÉRATEUR AUSSENKÖRPER GENERATOR	CUERPO ESTERNO GENERADOR
5 97730021	TERMOSTATO SICUREZZ 220°C NERO 220 DEGREES C SAFETY THERMO-SW	THERMOSTAT DE SÉCURITÉ 220°C SICHERHEITSTHERMOSTAT 220°C	TERMOSTATO SEGURIDAD 220°C
6 99950990	DISTANZIALE SPACER	ÉPAISSEUR ABSTANDSTÜCK	DISTANCIADOR
7 99950946	RACC. P.GOMMA ANG M G1/8 D7,9 M G1/8 D7.9 ANG HOSE CONNECTR	RACC.P.TUYAU COUDÉ M G1/8 D7,9 WINKELSCHL.ANSCHL. M G1/8 D7,9	CONEX PORTAG ANG M G1/8 D7,9
8 97901502	COPERTURA ISOLAN.GENERATORE GENERATOR INSULAT. COVER	CARTER ISOL.GÉNÉRATEUR ABDICHTUNG GENERATOR	COBERTURA AISLANTE GENERADOR
9 99950991	DISTANZIALE SPACER	ÉPAISSEUR ABSTANDSTÜCK	DISTANCIADOR
10 51247021	VITE TPS CROCE M4X16 A2 CSK CROSSHEAD SCR M4X16 A2	VIS TF PLATE CRUCIF.M4X16 A2 SENKSCHRAUBE M KREUZ. M4X16 A2	TORN C/PLANA AVELL CR M4X16 A2
11 97668139	SENSORE PT1000 GEN. VAPORE PT1000 STEAM GEN. SENSOR	CAPTEUR PT1000 GÉN. VAPEUR SENSOR PT1000 DAMPFGEN.	SENSOR PT1000 GEN VAPOR
12 99950001	VITE T.CIL.CROCE ZIGR.SOTT.4X6 SOCKET HEAD SCREW M4X6 A2	VIS TC CRUCIFORME M4X6 A2 KR-SCHLITZSCHRAUBE ZK M4X6 A2	TORNILLO C/CIL CRUZ M4X6 A2
13 97378400	OR 32,99X2,62 FKM 75SH OR PARKER P/N 2-125 V0747	JOINT TOR.PARKER P/N 2-125 V07 O-RING 32,99X2,62 FKM 75SH	OR 32,99X2,62 FKM 75SH
14 53113001	ROND ELAS GROWER X M3 ELAS GROWER WASHER X M3	RONDELLE ELAS GROWER X M3 BEILEGSCHIBE ELAS GROWER X M3	ARANDELA ELAS GROWE X M3

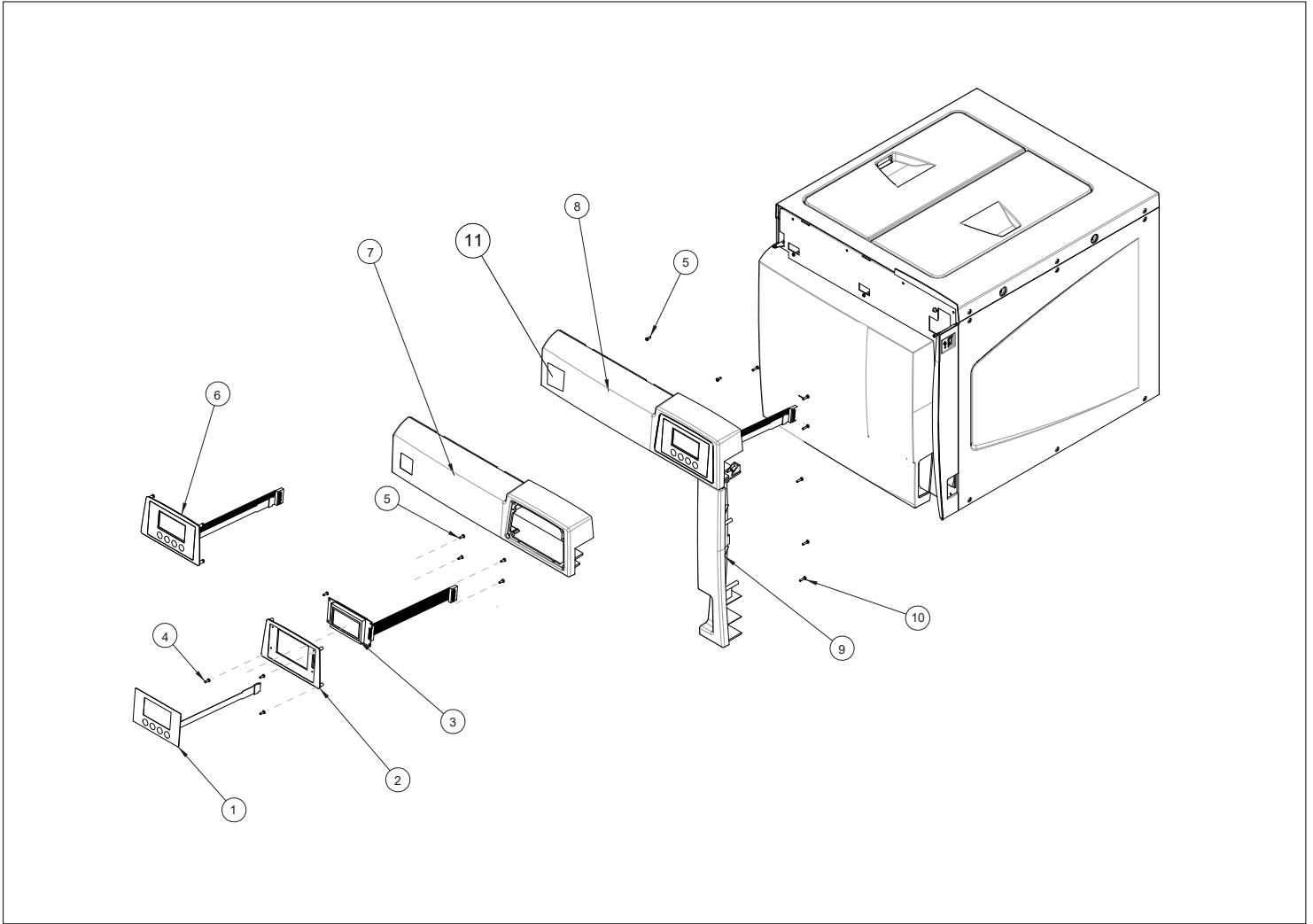


n. Code	Descrizione / Description	Description / Beschreibung	Descripción
15 53135028	ROND DENT EST D 4 Z.D.BIANCA INDENT.WASHER EST D 4 Z.D.WHIT	RONDELLE DENTELÉE EXT D 4 G.D. ZAHNSCHEIBE AUSS. D 4 Z.D.WEIS	ARAND. DENT. EXT. D 4 C.D. BLA
16 51237018	VITE TC CROCE M3X12 4.8 ZINC VITE TC CROCE M3X12 4.8 ZINC	VITE TC CROCE M3X12 4.8 ZINC VITE TC CROCE M3X12 4.8 ZINC	VITE TC CROCE M3X12 4.8 ZINC
17 95530803	ASS GENER. VAPORE 230V 50/60HZ STEAM GENERATOR GR. 230V	GR.GENERATEUR DE VAPEUR 230V DAMPFGENERATOR ASS	GR. GENERADOR DE VAPOR 230V
17 95530926	ASS GENER. VAPORE 120V 60HZ STEAM GENER. ASSY 120V 60HZ	ENS. GÉNÉR. VAPEUR 120V 60HZ ALLG. BAUGR. DAMPF 120V 60HZ	CONJ. GENER. VAPOR 120 V 60 HZ

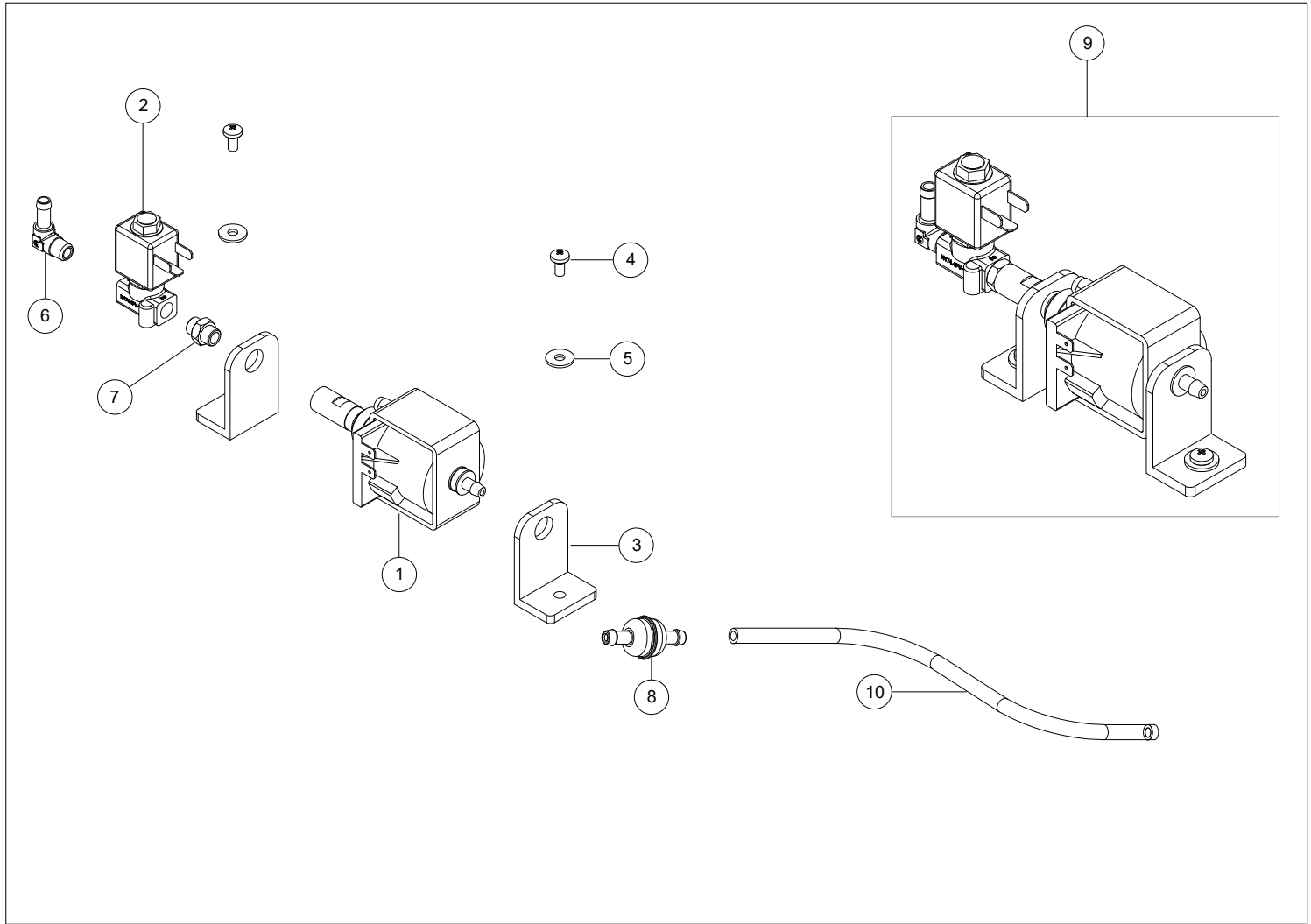


n. Code	Descrizione / Description	Description / Beschreibung	Descripción
1 97620343	PULSANTIERA CLASSIC MOCOM MOCOM CLASSIC KEYBOARD	CLAVIER CLASSIC MOCOM MOCOM CLASSIC DRUCKKNOPFSCHALT	BOTONERA CLASSIC MOCOM
2 97467129	CORNICE DISPLAY ENTRY ENTRY DISPLAY MOULDING	CADRE AFFICHEUR ENTRÉE/GAMME DISPLAYRAHMEN ENTRY	MARCO DISPLAY ENTRY LEVEL
3 97661272	LCD GRAFICO BLU CABLATO WIRED BLUE GRAPH. LCD	LCD GRAPHIQUE BLEU CÂBLÉ GRAFIK-LCD BLAU VERKABELT	LCD GRÁFICO AZUL CABLEADO
4 51537012	VITE A-P T/BOMB CRO D3SPX08 SCREW AUT TC CRO D3SPX8	VIS AUT TC CRO D3SPX8 SCHRAUBE AUT TC CRO D3SPX8	TORNILLO A-P T/BOM CRO D3SPX08
5 51437111	VITE AUT TC CRO #2.9X9.5 ST SCREW TC CRO #2.9X9.5	VIS AUTOT. TC CHRO #2,9X9,5 SELBSTS. KREUZKOPFSCHRAUBE #2.	TORNILLO AUT TC PHIL #2,9X9,5
6 95530430	ASS DISPLAY ENTRY ASS ENTRY DISPLAY	ASS AFFICHAGE ENTREE ASS EINTRAG ANZEIGEN	ASS PANTALLA ENTRADA
7 97467128	ASS FASCIA SUPERIORE UPPER COVER ASS	GR. CARTER SUPERIEUR GR. OBERE BLENDE	GR REGLETA SUPERIOR
8 95530441	ASS FASCIA SUPER BIANCA ASS CLASSIC UPPER WHITE STRIP	ASS CLASSIC BANDE BLANCHE SUPE ASS CLASSIC OBEREN WEISSEN STR	ASS CLASSIC FRANJA BLANCA SUPE
9 97467127	FASCIA LATERALE SIDE BAND	BANDE LATÉRALE SEITENANSICHT STIRNBAND	BANDA LATERAL
10 51467003	VITE AUT T/BOMB 3X12 A2 ROUND HEAD TAPPING SCR 3X12 A2	VIS AUTOT. TÊTE BOMBÉE 3X12 A2 LINSENKSCHEIDSCHRAUBE 3X12 A2	TORN AUT C/ABOMB 3X12 A2
11 97782591	ETICHETTA FRONT S CLASSIC-17 S CLASSIC-17 FRONT LABEL	ETIQUETTE FRONT. S CLASSIC-17 VORDERES S CLASSIC-17 SCHILD	PEGATINA FRONT. S CLASSIC-17
11 97782592	ETICHETTA FRONT S CLASSIC-22 S CLASSIC-22 FRONT LABEL	ETIQUETTE FRONT. S CLASSIC-22 VORDERES S CLASSIC-22 SCHILD	PEGATINA FRONT. S CLASSIC-22
11 97782593	ETICHETTA FRONT B CLASSIC-17 B CLASSIC-17 FRONT LABEL	ETIQUETTE FRONT.B CLASSIC-17 AUFKLEBER FRONT B CLASSIC-17	ETIQUETA FRONT.B CLASSIC-17
11 97782594	ETICHETTA FRONT B CLASSIC-22 B CLASSIC-22 FRONT LABEL	ETIQUETTE FRONT.B CLASSIC-22 AUFKLEBER FRONT B CLASSIC-22	ETIQUETA FRON.B CLASSIC-22

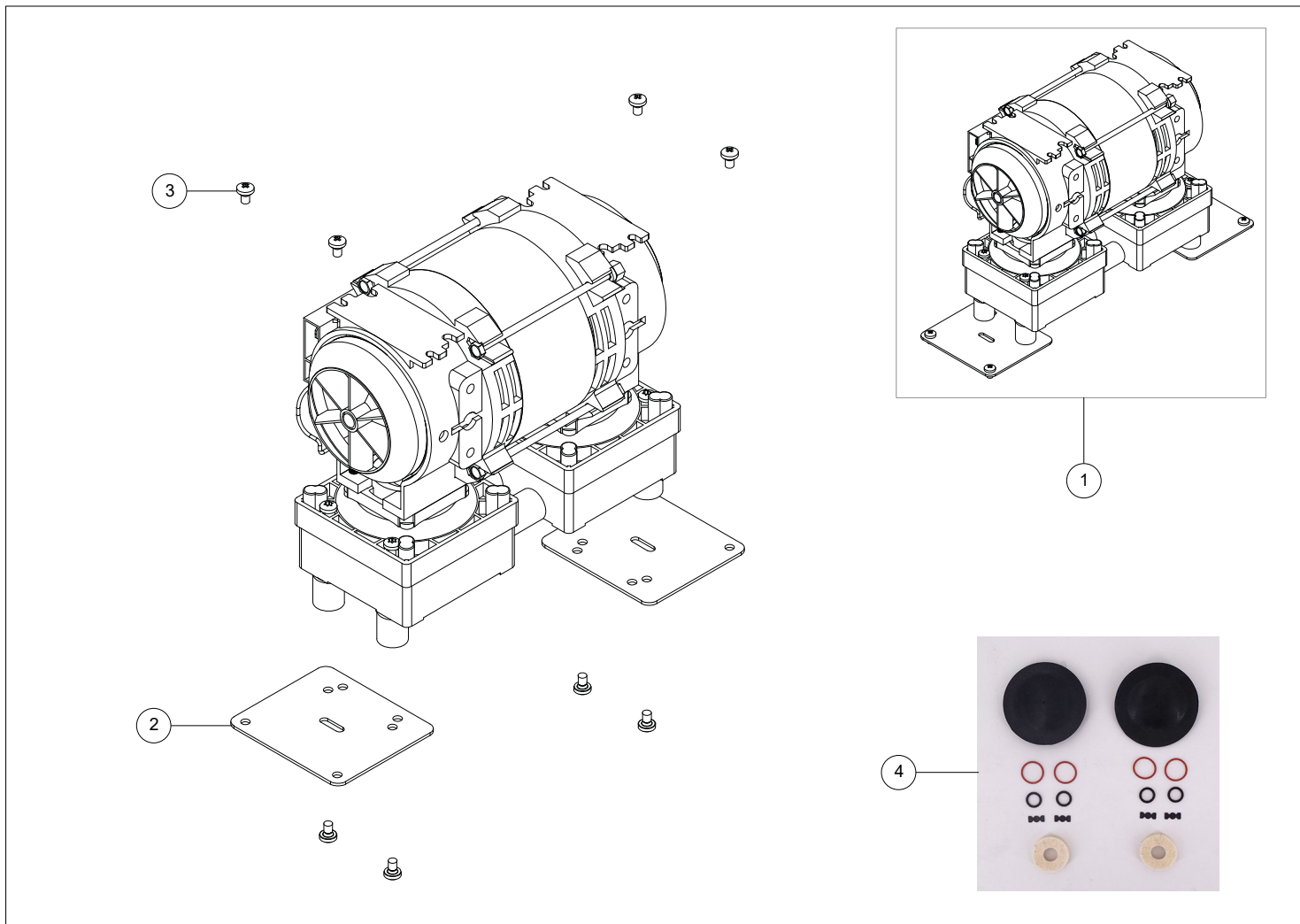




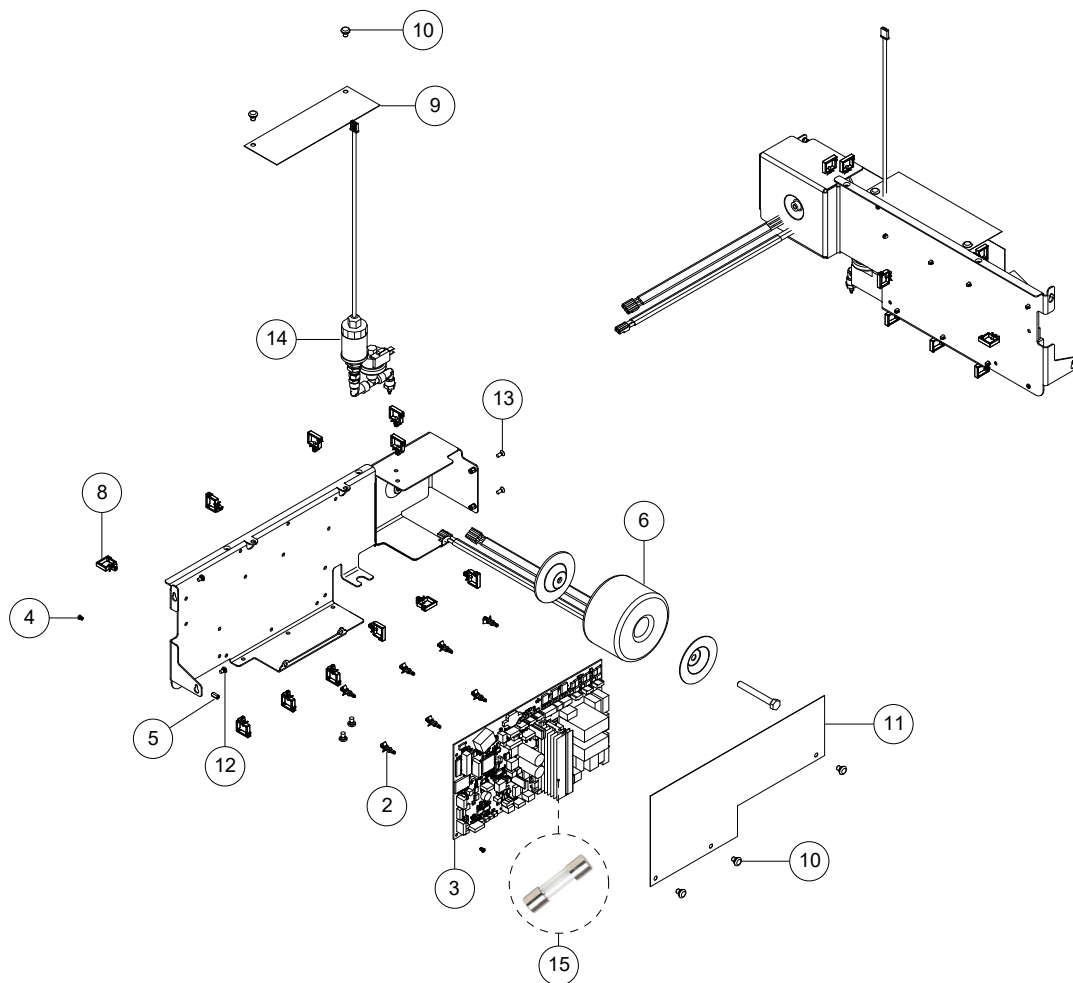
n. Code	Descrizione / Description	Description / Beschreibung	Descripción
11 97782595	ETICHETTA FRONT B CLASSIC-28 B CLASSIC-28 FRONT LABEL	ETIQUETTE FRONT.B CLASSIC-28 AUFKLEBER FRONT B CLASSIC-28	ETIQUETA FRONT.B CLASSIC-28



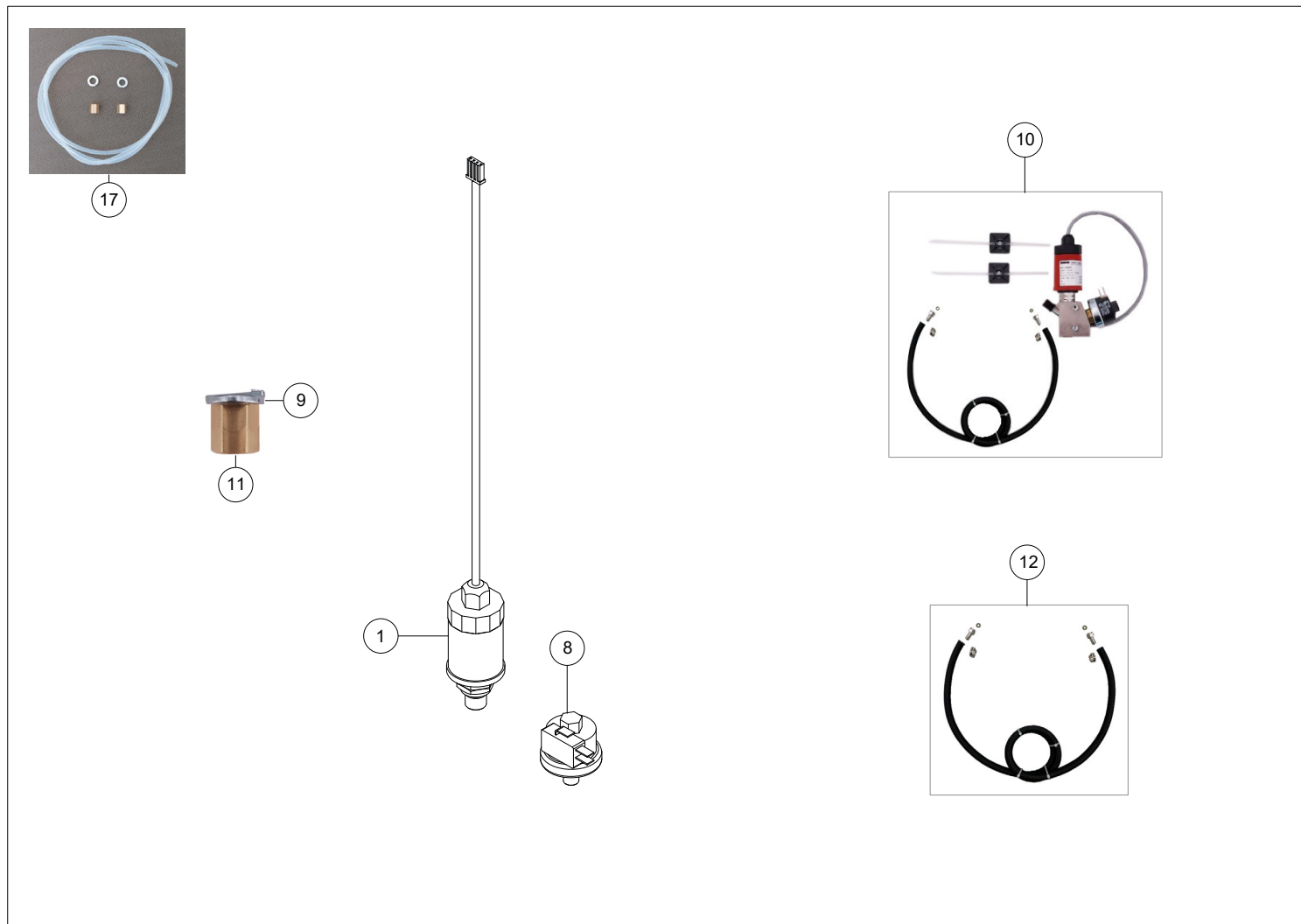
n. Code	Descrizione / Description	Description / Beschreibung	Descripción
1 97740151	POMPA VIBRAZ 24V-48W VIBRAT. PUMP 24V-48W	POMPE VIBRAT. 24V-48W VIBRATIONS PumPE 24V-48W	BOMBA VIBRAC 24V-48W
2 97720193	EV 2 VIE NC D=2.5 24VCC G1/8 2-WAY SV NC D=2.5 24VDC G1/8	EV 2 VOIES NF D=2.5 24VCC G1/8 EV 2 WEGE NC D=2.5 24VCC G1/8	EV 2 VIAS NC D=2.5 24VCC G1/8
3 97440043	SUPPORTO POMPA VIBRO VIBRO PUMP SUPPORT	SUPPORT DE POMPE DE VIBRO VIBRO-UNTERSTÜTZUNG FÜR FEUERL	VIBRO BOMBA SOPORTE
4 99950003	VITE T.CIL.CROCE ZIGR.SOT.5X10 CROSSHEAD SCREW M5X10 A2	VIS TC CRUCIFORME M5X10 A2 KR-SCHLITZSCHRAUBE ZK M5X10 A2	TORNILLO C/CIL CRUZ M5X10 A2
5 53104107	ROND D 6.6X18 S=2 ZINC WASHER D 6.6X18	RONDELLE D 6.6X18 SCHEIBE D 6.6X18	ARAND D 6.6X18
6 99950946	RACC. P.GOMMA ANG M G1/8 D7,9 M G1/8 D7.9 ANG HOSE CONNECTR	RACC.P.TUYAU COUDÉ M G1/8 D7,9 WINKELSCHL.ANSCHL. M G1/8 D7,9	CONEX PORTAG ANG M G1/8 D7,9
7 97960055	RACC NIPPLIO G1/8 L17 NIPPLE G1/8 L17	RACCORD NIPPLE G1/8 L17 NIPPELANSCHLUSS G1/8 L17	UNION NIPLE G1/8 L17
8 97290166	FILTRO ACQUA WATER FILTER	FILTRE A EAU WASSERFILTER	FILTRO AGUA
9 95530397	ASS POMPA VIBRO VIBRO PUMP ASS.	GR. POMPE VIBRO GR. PumPE VIBRO	GR BOMBA VIBRO
10 97340129	TUBO SILICONE 6X10 SILICONE PIPE 6 X 10	TUYAU SILICONE 6X10 SILIKONROHR 6X10	TUBO SILICONA 6X10



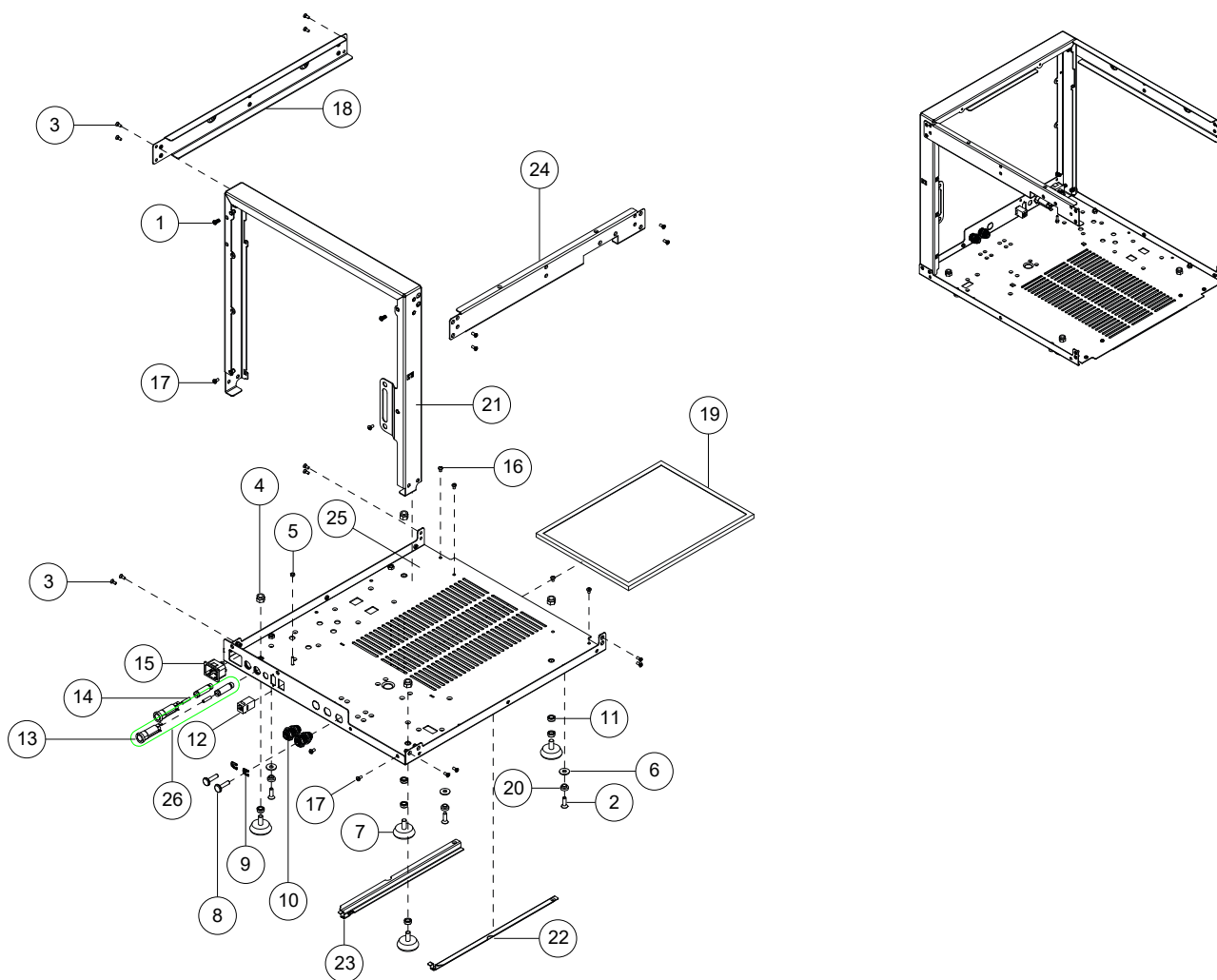
n. Code	Descrizione / Description	Description / Beschreibung	Descripción
1 95530937	ASS POMPA VUOTO HX10P3 50/60HZ HX10P3 50/60HZ VACUUM PUMP GRO	ENS.POMPE VIDE HX10P3 50/60HZ LEERE PUMPE GR. HX10P3 50/60HZ	JUN.BOMBA VAC.HX10P3 50/60HZ
2 99951474	PIASTRA FISSAGGIO POMPE PUMPS FIXING PLATE	PLAQUE FIX. POMPE BEFESTIGUNGSPLATTE PUMPEN	PLACA FIJ. BOMBA
3 99950001	VITE T.CIL.CROCE ZIGR.SOTT.4X6 SOCKET HEAD SCREW M4X6 A2	VIS TC CRUCIFORME M4X6 A2 KR-SCHLITZSCHRAUBE ZK M4X6 A2	TORNILLO C/CIL CRUZ M4X6 A2
4 95509215	KIT MAN. COMPLETO HX10P3 HX10P3 COMPLETE MANUAL KIT	KIT ENTR. COMPLET HX10P3 WART. KIT KOMPLETT HX10P3	KIT MAN. COMPLETO HX10P3



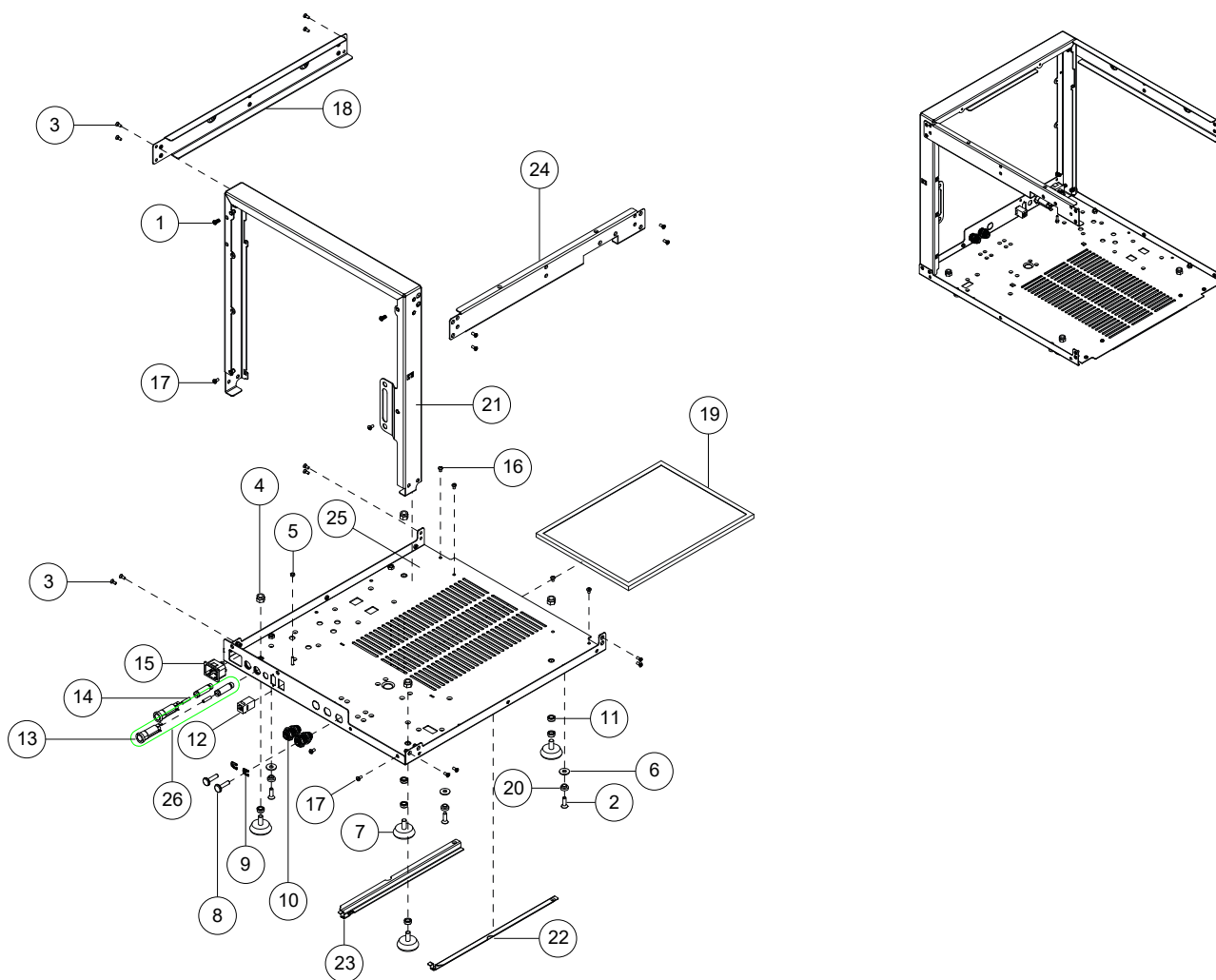
n. Code	Descrizione / Description	Description / Beschreibung	Descripción
2 97560149	SUPPORTO SCHEDA H9,5 CIRCUIT SUPPORT H9,5	SUPPORT PLATINE H9,5 PLATINE ABSTÜTZUNG H9,5	SOPORTE TARJ H9,5
3 97668177	SCHEDA DI PROCESSO AUTOCLAVE PROCESS BOARD	CARTE PROCESSUS AUTOCLAVE AUTOKLAVEN PROZESS-PLATINE	TARJETA PROCESO AUTOCLAVE
4 51237059	VITE TC CROCE M3X5 ZINC.BIANC SCREW TC CROCE M3X5 ZINC.BIANC	VIS TC CROCE M3X5 ZINC.BIANC KREUZKOPFSCHRAUBE M3X5 VERZINK	TORNILLO TC PHILLIPS M3X5 CINC
5 97560011	DISTANZ FF M3X10 SPACER FF M3X10	ENTRETOISE FF M3X10 DISTANZSTÜCK FF M3X10	DISTANC FF M3X10
6 97750185	TRASFORMATORE 0-120/220-240V TRANS.115/230V 220VA 50/60HZ	TRANSFORMATEUR 0-120/220-240V TRANSF.115/230V 220VA 50/60HZ	TRANS 115/230V 220VA 50/60HZ
7 51212219	VITE TE M8X65 ZINC 8.8 HEX HEAD SCREW M8X65 A2	VIS TH M8X65 A2 SECHSKANTSCHRAUBE M8X65 A2	TORN C/HEX M8X65 A2
8 97550103	FERMACAVO CABLE RETAINER	SERRE CABLE KABELSCHELLE	FIJACABLE
9 97400181	PROTEZIONE SCHEDA SUPERIORE TOP CARD PROTECTION	PROTECTION DE LA CARTE DU DESS OBERSTE KARTENSCHUTZ	PROTECCIÓN SUPERIOR DE LA TARJ
10 97550025	RIVETTO AUTOBLOCCANTE PLAST. CLIP	RIVET AUTOBLOQUANT SELBSTSICHERNDE NIETE	REMACHE AUTOBLOCANTE
11 97400182	PROTEZIONE SCHEDA INFERIORE LOWER BOARD PROTECT.	PROTECTION CARTE INFÉRIEURE UNTERE KARTENSCHUTZ	PROTECCIÓN INFERIOR DE LA TARJ
12 99950001	VITE T.CIL.CROCE ZIGR.SOTT.4X6 SOCKET HEAD SCREW M4X6 A2	VIS TC CRUCIFORME M4X6 A2 KR-SCHLITZSCHRAUBE ZK M4X6 A2	TORNILLO C/CIL CRUZ M4X6 A2
13 51247018	VITE TPS CROCE M4X10 A2 CSK CROSSHEAD SCR M4X10 A2	VIS TF PLATE CRUCIFOR.M4X10 A2 SENKSCHRAUBE M KREUZ. M4X10 A2	TORN C/PLANA AVELL CR M4X10 A2
14	Assieme trasduttore e pressostato Transducer and pressure switch assembly	Ensemble transducteur et pressostat Einheit Geber und Druckwächter	Conjunto transductor y presostato
15 FE2330315	FUSIBILE 5X20 RITARD.3,15 A DELAYED FUSE 5X20 3,15A	FUSIBLE RETARD. 5X20 3,15A TRÄGE SICHERUNG 5X20 3,15 A	FUSIBLE RETRAS. 5X20 3,15A



n. Code	Descrizione / Description	Description / Beschreibung	Descripción
1 95509231	TRASDUTTORE + O-RING TRANSDUCER + O-RING	TRANSDUCTEUR + O-RING GEBER + O-RING	TRANSDUCTOR + O-RING
8 95509230	PRESSOSTATO + O-RING PRESSURE SWITCH + O-RING	PRESSOSTAT + O-RING DRUCKWÄCHTER + O-RING	PRESOSTATO + O-RING
9 53113004	ROND ELAS GROWER X M6 M6 GROWER ELAST.WASHER	RONDELLE ELAST.GROWER X M6 M6 GROWER ELAST.SCHEIBE	ARAND ELÁS. GROWER X M6
10 95509232	GR.TRASDUTTORE+PRESSOSTATO TRANSDUCER+PRESSURE SWITCH GR.	GR.TRANSDUCT+PRESSOSTATE GR. GEBER+DRUCKWÄCHTER	GR.TRANSDUCT+PRESOSTATO
11 99924940	GHIERA PER TUBO PTFE 2,7X4MM PTFE 2,7X4MM TUBE FERRULE	BAGUE POUR TUYAU PTFE 2,7X4MM NUTMUT. F. PTFE-SCHL. 2,7X4 MM	CASQ PARA TUBO PTFE 2,7X4MM
12 95509245	COLL. CALDAIA_MPX TUBO TELATO REINF. HOSE MPX_BOILER CONN.	COLL. CHAUD_MPX TUYAU BACHÉ BUND KESSEL_MPX SCHL M. GEWEB.	COL. CALDERA_MPX TUBO DE LIENZ
17 95509238	GR.TUBO PTFE.GROWER.GHIERA RING NUT GROWER PTFE TUBE UNIT	GR. TUYAU PTFE. GROWER BAGUE GR.ROHR PTFE.ERZEUGER.RING	GR. TUBO PTFE. GROWER ANILLO

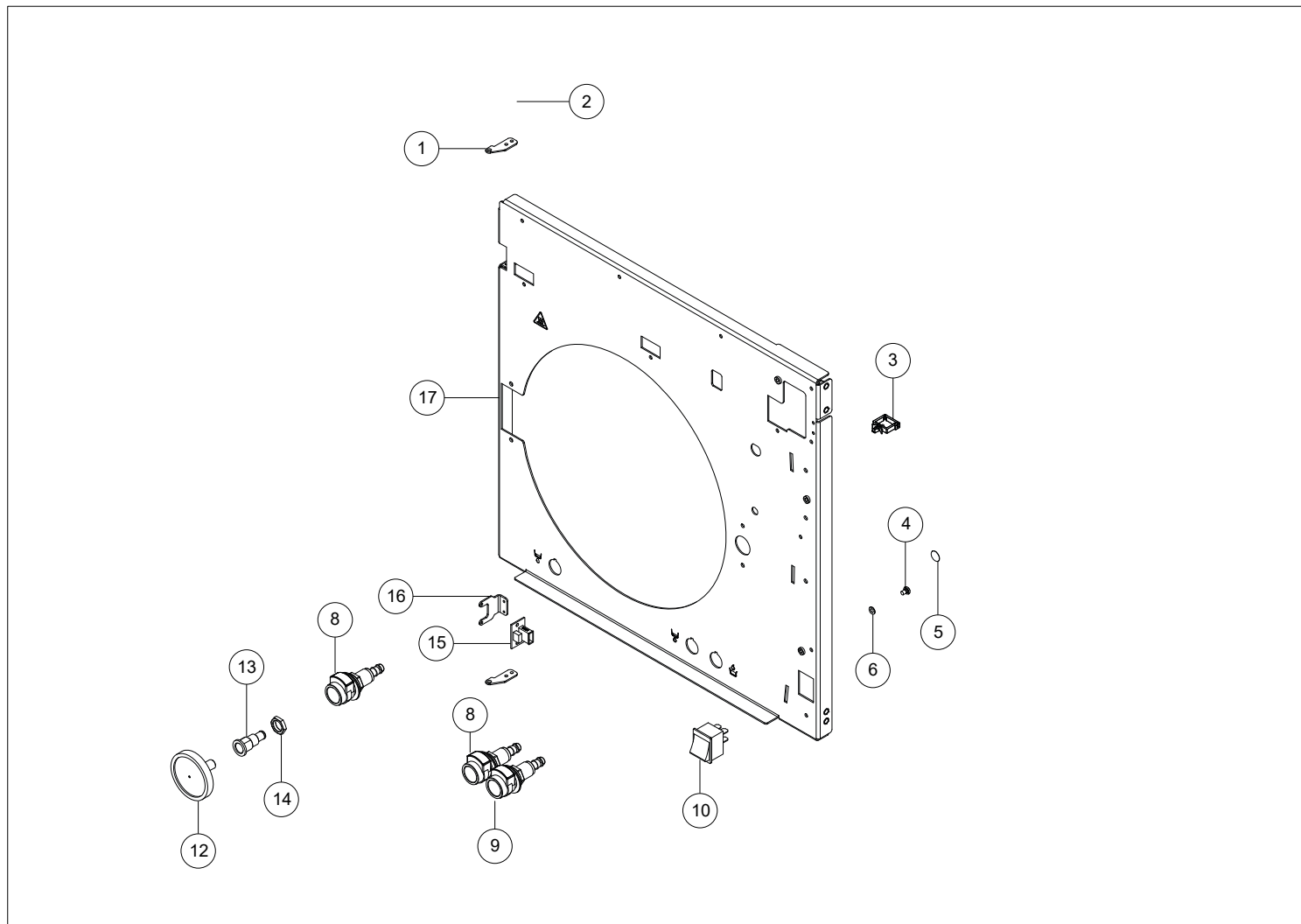


n. Code	Descrizione / Description	Description / Beschreibung	Descripción
1 51237028	VITE TC CROCE M4X10 4.8 M4X10 8.8 TC CROSS SCREW	VIS TC CROIX M4X10 8.8 M4X10 8.8 TC SCHRAUBE	TORNILLO TC CRUZ M4X10 8.8
2 51242012	VITE TPSEI M6X20 10.9 TPSEI M6X20 10.9 SCREW	VIS TPSEI M6X20 10.9 SCHRAUBE TPSEI M6X20 10.9	TORNILLO TPSEI M6X20 10.9
3 51247018	VITE TPS CROCE M4X10 A2 CSK CROSSHEAD SCR M4X10 A2	VIS TF PLATE CRUCIFOR.M4X10 A2 SENKSCHRAUBE M KREUZ. M4X10 A2	TORN C/PLANA AVELL CR M4X10 A2
4 52210014	DADO M8 ALTO 6S ZINC AUTOBLOCC SELF LOCK.HIGH ZINC NUT M8 6S	ECROU M8 HAUT 6S ZINC AUTOB. VERZ.H.SELBSTSIC.MUTTER M8 6S	TUERCA AUTOB M8 ALTA 6S ZINC
5 52220005	DADO M4 MEDIO 6S M4 6S NUT MEDIUM SIZE	ECROU M4 MOYEN 6S MUTTER M4 6S	DADO M4 MEDIO 6 S
6 53104107	ROND D 6.6X18 S=2 ZINC WASHER D 6.6X18	RONDELLE D 6.6X18 SCHEIBE D 6.6X18	ARAND D 6.6X18
7 97420246	PIEDE FISSO NYLON D40 M8X32 Z NYLON D40 M8X32 Z FIXED FOOT	PIED FIXE NYLON D40 M8X32 Z NYLON D40 M8X32 Z FIXIERT FUSS	PIE FIJO NYLON D40 M8X32 Z
8 97420133	TAPPO1/4 1/4 PP0808W JOHN GUEST PLUG	BOUCHON1/4 PP0808W JOHN GUEST VERSCHL 1/4 PP0808W JOHN GUEST	TAPÓN 1/4 PP0808W JOHN GUEST
9 97550086	CLIP BLOCCA PINZETTA 1/4" 1/4" PINCERS BLOCKING CLIP	CLIP BLOC PINCETTE 1/4" SAFETY CLIP -(THERMOPL.-POLYURE	CLIP BLOQUE PINZA 1/4"
10 95509195	GRUPPO RACC. PASSAPARETE 1/4 1/4 PASS THROUGH JUNCTION GR.	GR.RACC.PASSE-PAROIS 1/4 1/4 WAND ÜBERSCH. VERB. GR.	GR. CONEXION PASA PARED 1/4
11 97560103	DISTANZIALE IN PLASTIC PA66 PA66 PLASTIC SPACER	ENTRET. EN PLASTIQUE PA66 Distanzstück aus Kunststoff PA	DISTANCIAL DE PLASTICO PA66
12 97560151	PASSAPARETE RJ45 CAT5E BULKHEAD RJ45 CAT5E	PASSE PAROIS RJ45 CAT5E SCHOTT RJ45 CAT5E	PASAPARED RJ45 CAT5E
13 97760051	PORTAFUSIBILE 6,3X32 FUSE BOX 6,3X32	PORTE FUSIBLE 6,3X32 6,3X32 SICHERUNGSHALTER	PORTA FUSIBLE 6,3X32
14 97760053	FUSIBILE 6,3X32 T15 A FUSE 6,3X32 T15 A	FUSIBLE 6,3X32 T15 A 6,3X32 T15 A SICHERUNG	FUSIBLE 6,3X32 T15 A

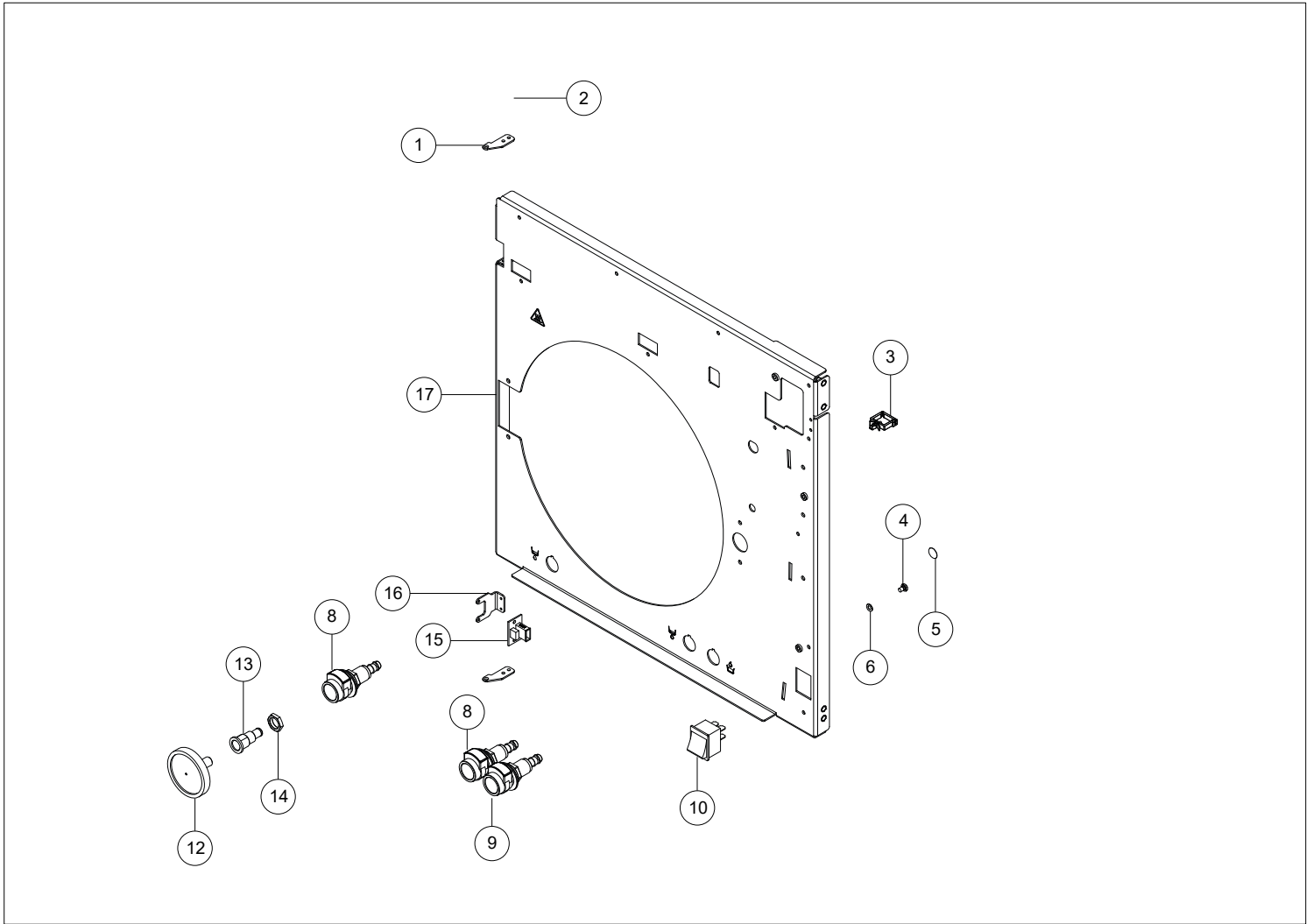


n. Code	Descrizione / Description	Description / Beschreibung	Descripción
15 97940114	VASCHETTA ALIMENTAZ IEC C20 IEC C20 SUPPLY TANK	BAC ALIMENTATION IEC C20 STROMANSCHLUSS IEC C20	CUBETA ALIM IEC C20
16 99950001	VITE T.CIL.CROCE ZIGR.SOTT.4X6 SOCKET HEAD SCREW M4X6 A2	VIS TC CRUCIFORME M4X6 A2 KR-SCHLITZSCHRAUBE ZK M4X6 A2	TORNILLO C/CIL CRUZ M4X6 A2
17 99950002	VITE T.CIL.CROCE ZIGR.SOTT.4X8 CROSSHEAD SCREW M4X8 A2	VIS TC CRUCIFORME M4X8 A2 KR-SCHLITZSCHRAUBE ZK M4X8 A2	TORNILLO C/CIL CRUZ M4X8 A2
18 99950954	TRAVERSA DX RIGHT CROSS BAR	TRAVERSE DROITE RICHTIGE CROSS BAR	BARRA TRANSVERSAL DERECHA
19 99951019	FILTRO ANTIPOLVERE ANTI DUST FILTER	FILTRE ANTI-POUSSIÈRE STAUBSCHUTZFILTER	FILTRO ANTIPOLVO
20 99951064	BOCCOLA AGGANCIO CINGHIA STRAP CONNECTION BUSH	DOUILLE FIXATION COURROIE BUCHSE RIEMENKOPPLUNG	COJINETE FIJACION BANDA
21 99951273	PORTALE PORTALE	PORTALE PORTALE	PORTALE
22 99951279	GUIDA SX FILTRO ANTIPOLVERE DUSTPROOF FILTER LEFT RUNNER	GUIDE GAUCHE FILTRE ANTIPOUS. FÜHRUNG LINKS STAUBSCHUTZFILTE	GUIA IZQ. FILTRO ANTIPOLVO
23 99951280	GUIDA DX FILTRO ANTIPOLVERE DUSTPROOF FILTER RIGHT RUNNER	GUIDE DROIT FILTRE ANTIPOUS. FÜHRUNG RECHTS STAUBSCHUTZFILT	GUIA DER. FILTRO ANTIPOLVO
24 99951406	TRAVERSA SX LH CROSSBAR	TRAVERSE GACHE QUERTRÄGER LI	TRAVESAÑO IZQ.
25 99951409	LAMIERA BASAMENTO BASE SHEET-METAL	TOLE BASE SOCKEL STAHLBLECH	CHAPA BASE
26 95509196	ASSIEME PORTA FUSIBILE FUSE HOLDER ASSEMBLY	GR., BOITE A FUSIBLES ZUSAM.SCHMELZSICH.TRAEGER	KIT PORTA FUSIBLE

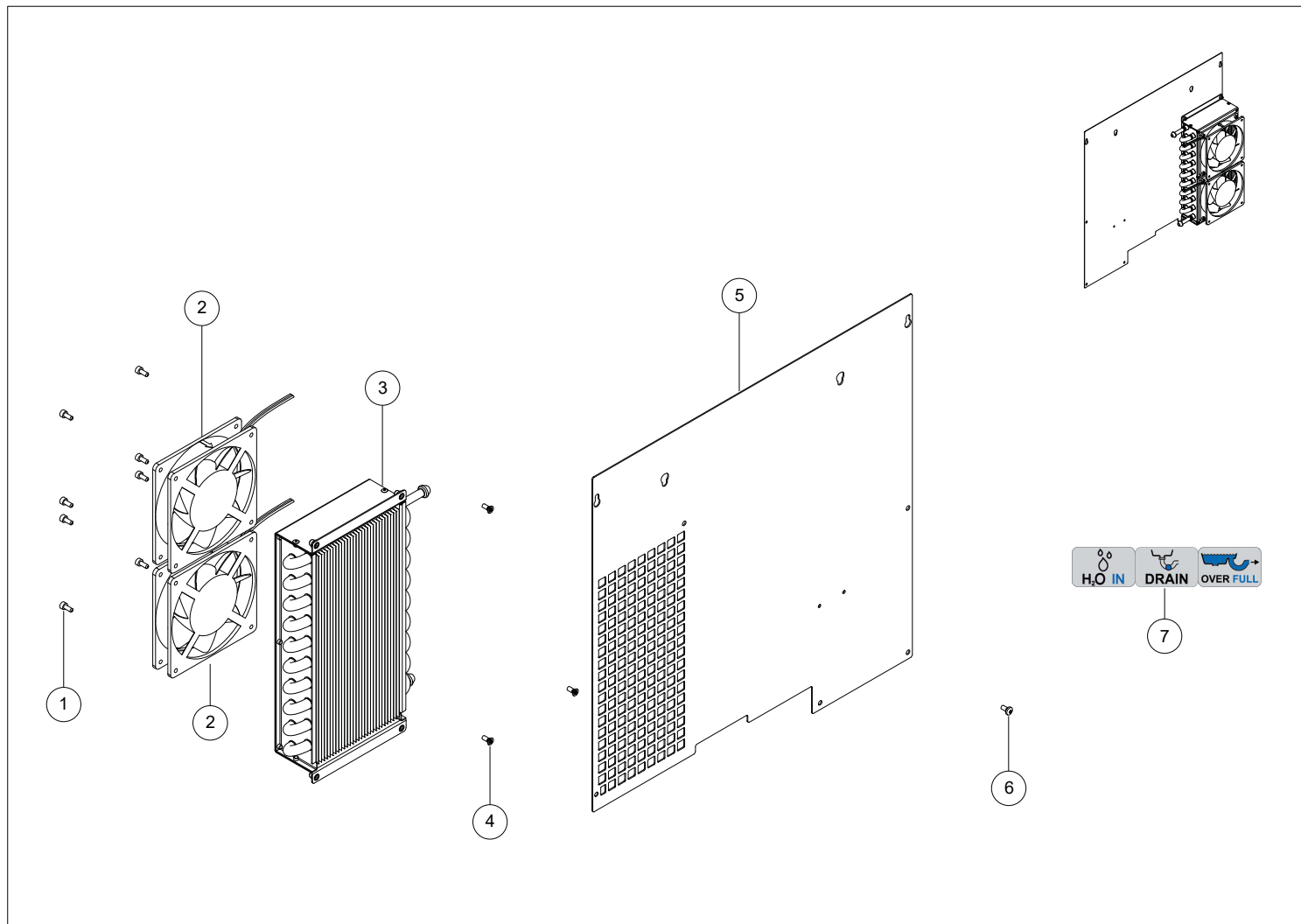




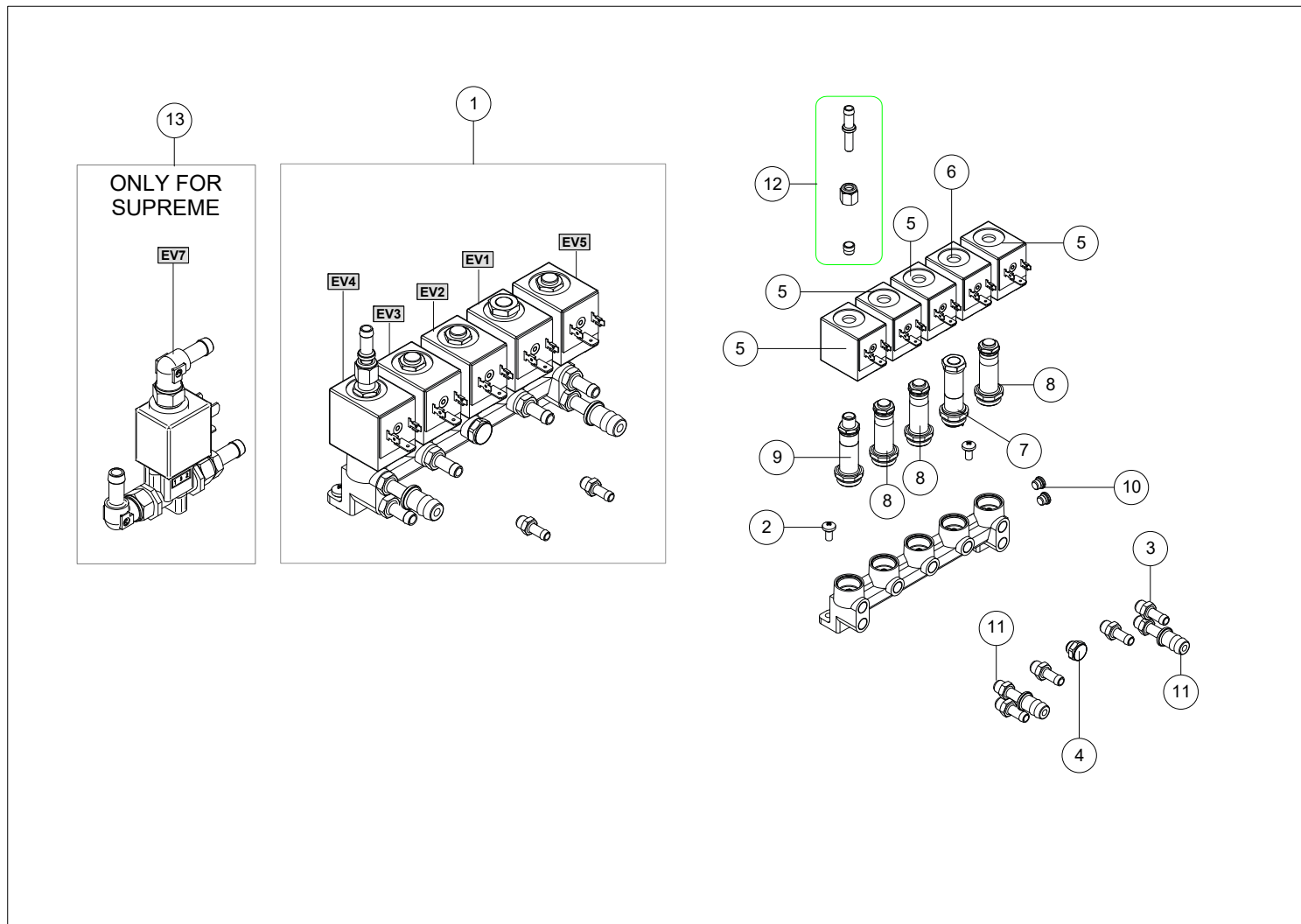
n. Code	Descrizione / Description	Description / Beschreibung	Descripción
1 99951200	STAFFA FULCRO HEAD BRACKET	ÉQUERRE TÊTE ANSCHWENKBÜGEL	SOPORTE FULCRO
2 51237059	VITE TC CROCE M3X5 ZINC.BIANC SCREW TC CROCE M3X5 ZINC.BIANC	VIS TC CROCE M3X5 ZINC.BIANC KREUZKOPFSCHRAUBE M3X5 VERZINK	TORNILLO TC PHILLIPS M3X5 CINC
3 97550103	FERMACAVO CABLE RETAINER	SERRE CABLE KABELSCHELLE	FIJACABLE
4 99950001	VITE T.CIL.CROCE ZIGR.SOTT.4X6 SOCKET HEAD SCREW M4X6 A2	VIS TC CRUCIFORME M4X6 A2 KR-SCHLITZSCHRAUBE ZK M4X6 A2	TORNILLO C/CIL CRUZ M4X6 A2
5 97780158	TARGA MASSA D=10MM FONDO GROUND PLATE D=10MM	PLAQUE MASSE D=10MM SCHILD ERDUNG	PLACA MASA
6 53135028	ROND DENT EST D 4 Z.D.BIANCA INDENT.WASHER EST D 4 Z.D.WHIT	RONDELLE DENTELÉE EXT D 4 G.D. ZAHNSCHEIBE AUSS. D 4 Z.D.WEIS	ARAND. DENT. EXT. D 4 C.D. BLA
8 97560105	RACC.RAP. SCARICO FRONT.GRIGIO GREY FRNT DRAIN QUICK COUPL.	RACC.RAP. ÉVACUAT. FRONT.GRIS SCHNELLAN. FRONT.AUSLASS GRAU	CONEX RÁP DESCARGA FRONT GRIS
9 97560106	RACC.RAP. CARICO FRONT. BLU BLUE FRONT LOAD QUICK COUPLING	RACC.RAP. REMPLISS.FRONT. BLEU SCHN.ANSCHL. FR.EINLASS BLAU	CONEX RÁP CARGA FRONT AZUL
10 97600131	INTERRUTTORE A BASCULA TOGGLE SWITCH	INTERRUPTEUR Á BASCULE KIPPSCHALTER	INTERRUPTOR BASCULANTE
12 97290160	FILTRO BATTERIOLOG 0.2 0.2 BACTERIOLOGICAL FILTER	FILTRE BACTERIOLOG. 0.2 BAKTERIOLOGISCHER FILTER 0.2	FILTRO BACTERIOLOGICO 0.2
13 99950960	RACC FILTRO BATTERIOLOGICO BACTERIOLOGICAL FILTER FITTING	FILTRE BACTÉRIOLOGIQUE RACCORD MONTAGE BAKTERIOLOGISCHE FILTE	FILTRO BACTERIOLÓGICO GUARNICI
14 99950017	RACC DADO FILTRO BATT M14X1 BACT.FILTER NUT FITTING M14X1	RACC. ÉCROU FILTRE BACT.M14X1 ANSCHL. MUTTER BAKT.FIL M14X1	UNION TUERCA FILTRO BACT M14X1
15 97668134	SCHEDA USB USB BOARD	CARTE USB USB-KARTE	TARJETA USB
16 99950956	STAFFA USB USB BRACKET	SUPPORT DE L'USB USB-KLAMMER	SOPORTE USB



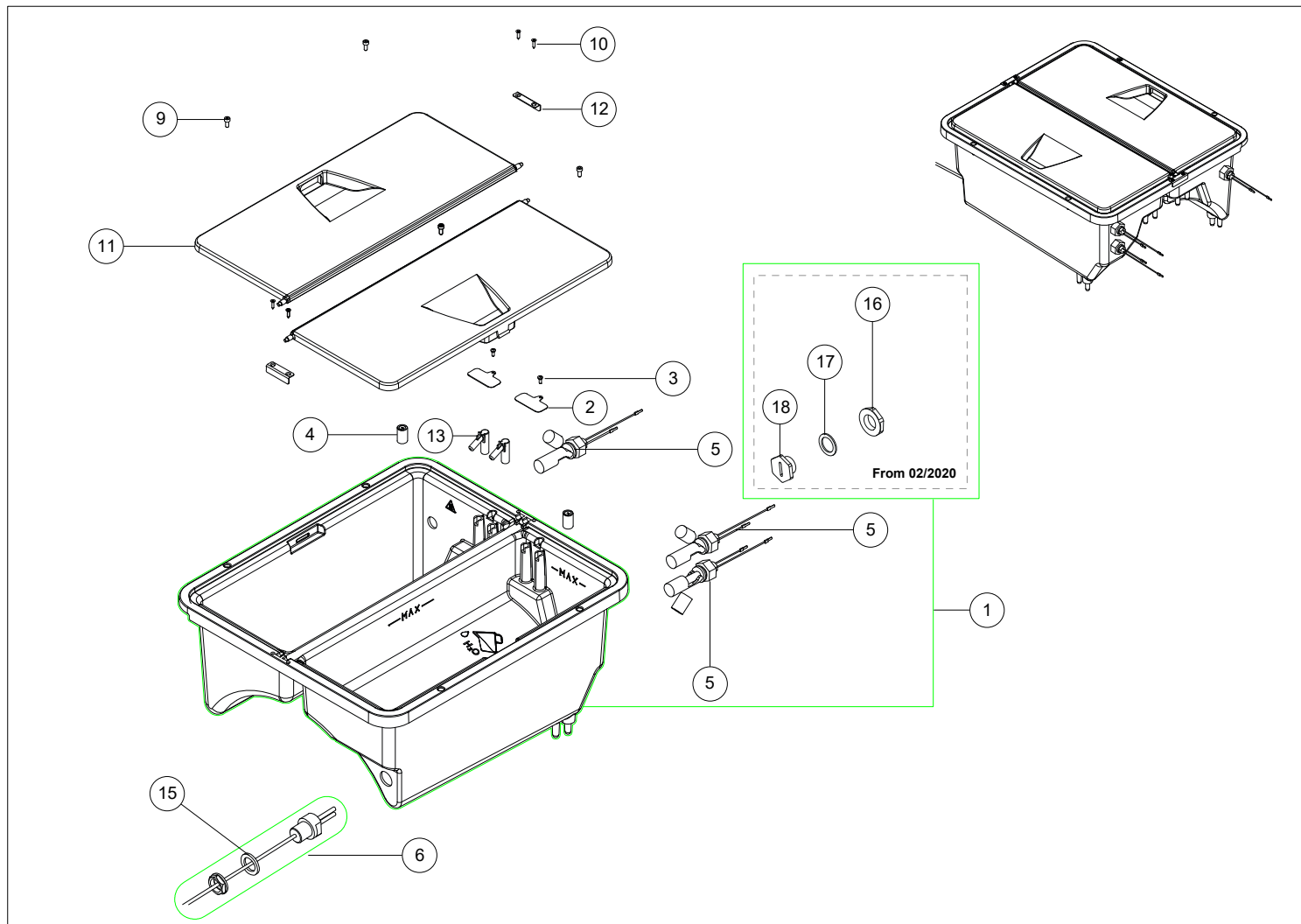
n. Code	Descrizione / Description	Description / Beschreibung	Descripción
17 99951744	PANNELLO FRONT. 28L 28L FRONT PANEL	PANNEAU FRONT. 28L FRONTPLATTE 28L	PANEL DELANT. 28L



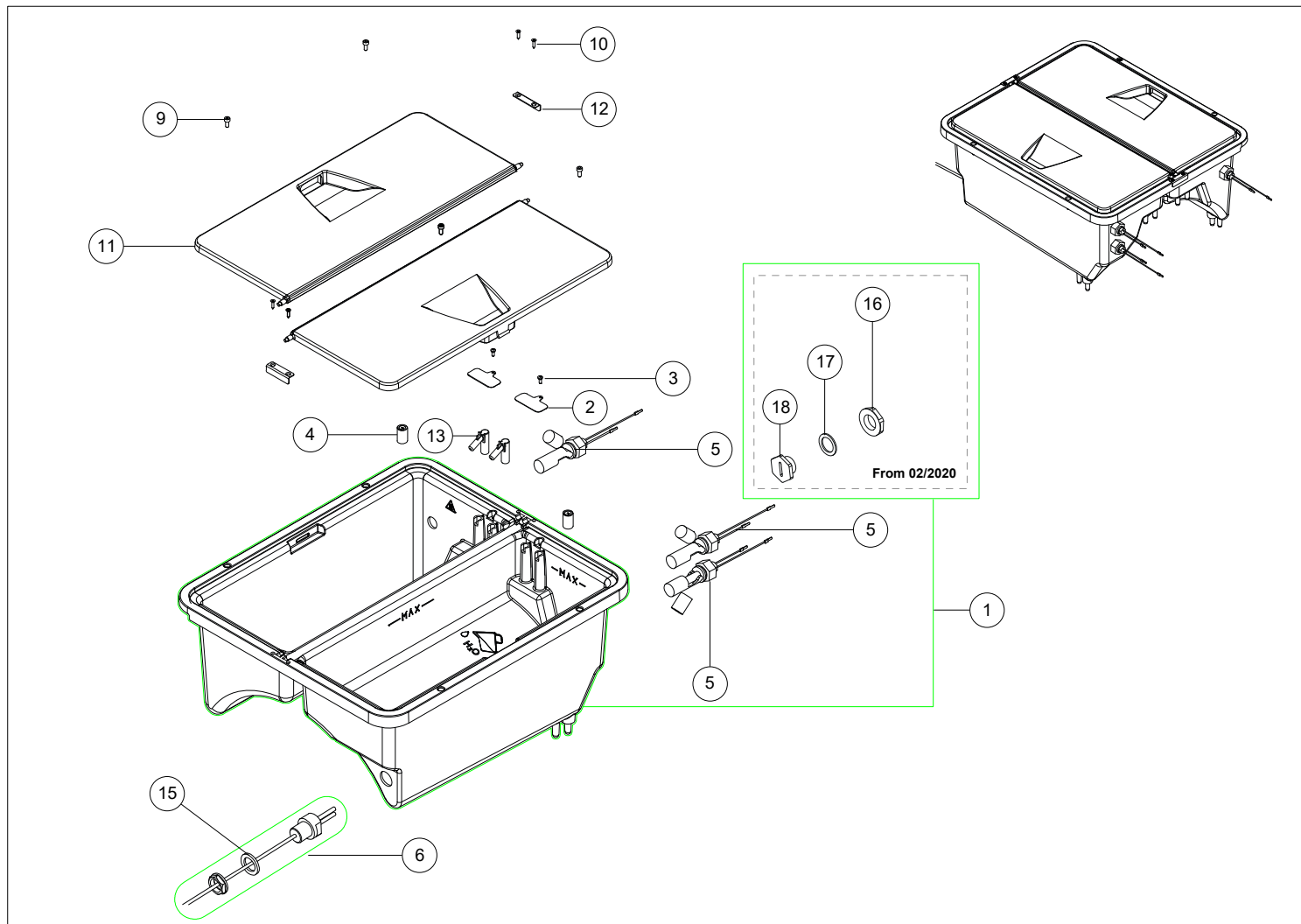
n. Code	Descrizione / Description	Description / Beschreibung	Descripción
1 51232039	VITE TCEI M4X10 SCREW TCEI M4X10	VIS TCEI M4X10 SCHRAUBE TCEI M4X10	TORNILLO TCEI M4 X 10
2 97250036	VENTILATORE 120X120X25 24V 120X120X25 24V FAN	VENTILATEUR 120X120X25 24V VENTILATOR 120X120X25 24V	VENTILADOR 120X120X25 24V
3 99951457	SCAMBIATORE DI CALORE HEAT EXCHANGER	ECHANGEUR DE CHALEUR WÄRMETAUSCHER	INTERCAMBIADOR DE CALOR
4 51247018	VITE TPS GROCE M4X10 A2 CSK CROSSHEAD SCR M4X10 A2	VIS TF PLATE CRUCIFOR.M4X10 A2 SENKSCHRAUBE M KREUZ. M4X10 A2	TORN C/PLANA AVELL CR M4X10 A2
5 99951407	CARTER POSTERIORE REAR CARTER	CARTER POSTERIEUR HINTERE ABDECKUNG	CARTER POSTERIOR
6 99950002	VITE T.CIL.CROCE ZIGR.SOTT.4X8 CROSSHEAD SCREW M4X8 A2	VIS TC CRUCIFORME M4X8 A2 KR-SCHLITZSCHRAUBE ZK M4X8 A2	TORNILLO C/CIL CRUZ M4X8 A2
7 97782065	ETICHETTA H2OIN/DRAIN/OVERFULL H2O IN / DRAIN LABEL	ETIQUETTE H2O ENTREE/DRAINAGE ETIKETT H2O E/DRAIN.	ETIQUETA H2O INGRESO/DRENAJE



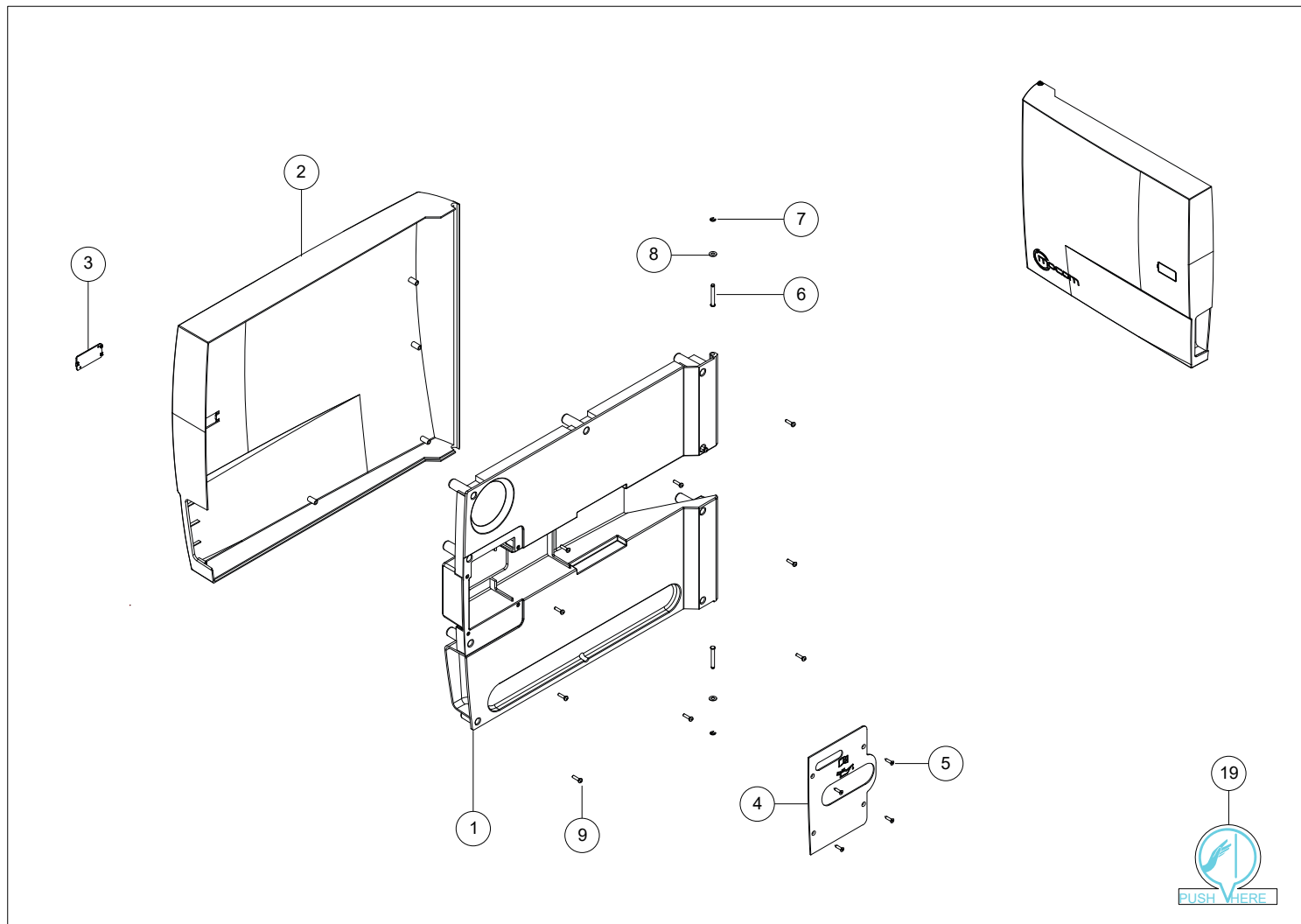
n. Code	Descrizione / Description	Description / Beschreibung	Descripción
1 95509218	ASSIEME MANIFOLD MANIFOLD ASSEMBLY	MANIFOLD CAMOZZI CAMOZZI MANIFOLD	MANIFOLD CAMOZZI
2 99950003	VITE T.CIL.CROCE ZIGR.SOT.5X10 CROSSHEAD SCREW M5X10 A2	VIS TC CRUCIFORME M5X10 A2 KR-SCHLITZSCHRAUBE ZK M5X10 A2	TORNILLO C/CIL CRUZ M5X10 A2
3 99950948	RACC. P.GOMMA DIR M G1/8 D7,9 M G1/8 D7.9 STR HOSE CONNECTR	RACC.P.-TUYAU DR.M G1/8 D7,9 GER. SCHL.ANSCHL. M G1/8 D7,9	CONEX PORTAG RECT M G1/8 D7,9
4 97986300	RACCORDO FILTRO FILTER FITTING	RACCORD FILTRE FILTER-MONTAGE	GUARNICIÓN FILTRO
5 97720214	BOBINA SOLENOID	BOBINE SPULE	BOBINA
6 97720213	BOBINA PER NA COIL FOR NA (NORMALLY OPEN)	BOBINE POUR NA (OUVRIR NORMALE SPULE FÜR NA (SCHLIESSER)	BOBINA PARA NA (NORMALMENTE AB
7 97720215	PORTAC+CURSORE EV1 HOLDER + EV1 CURSOR	PORTE CURSEUR + EV1 CURSEUR HALTER + EV1 CURSOR	PUERTA CURSOR + EV1 CURSOR
8 97720216	PORTAC+CURSORE EV2-EV3-EV5 HOLDER + CURSOR EV2-EV3-EV5	PORTE + CURSEUR EV2-EV3-EV5 HALTER + CURSOR EV2-EV3-EV5	PUERTA CURSOR + CURSOR EV2-EV3
9 97720217	PORTAC+CURSORE 3 VIE EV4 HOLDER + 3-WAY CURSOR EV4	PORTE + 3 VOIES CURSEUR EV4 HALTER + 3-WEGE-CURSOR EV4	PUERTA CURSOR + 3 VÍAS CURSOR
10 97420143	TAPPO MANIFOLD MANIFOLD PLUG	BOUCHON COLLECTEUR VERTEILERVERSCHLUSS	TAPÓN COLECTOR
11 97960088	RACCORDO MANDATA / RITORNO DELIVERY / RETURN CONNECTOR	RACCORD ALLER / RETOUR VORLAUF-/RÜCKLAUFANSCHLUSS	CONEXION IDA / VUELTA
12 97987800	RACCORDO A OGIVA OGIVE FITTING	RACCORD À OLIVE WIDERHAKENANSCHLUSS	UNIÓN DE COMPRESIÓN
13 95530868	ASS ELETTROVALVOLA SERBATOI TANKS SOLENOID VALVE GR.	ENS.ELECTROVANNE RESERVOIR TANKMAGNETVENTIL GR.	GR.ELECTROVALV. DEPOSITO



n. Code	Descrizione / Description	Description / Beschreibung	Descripción
1 95509224	SERBATOIO CON TAPPO TANK WITH CAP	RESERVOIR AVEC BOUCHON BEHÄLTER MIT VERSCHLUSS	DEPOSITO CON TAPA
2 99950995	PARASPRUZZI SPLASH GUARD	PARE-ÉCLABOUSSURES SPRITZSCHUTZ	PROTECCIÓN CONTRA SALPICADURAS
3 51467001	VITE AUT T/BOMB 3X8 A2 SCREW FOR PLAST.MAT. TCCR/Z UN	VIS FOR PLAST.MAT. TCCR/Z UN SELBSTS. LINSENKOPFSCHRAUBE 3X	TORNILLO AUT C/ABOMB. 3X8 A2
4 97290210	FILTRO ASS SERBATOIO TANK WATER FILTER	FILTRE EAU RÉSERVOIR FILTER FÜR WASSER BEHÄLTER	FILTRO AGUA DEPÓSITO
5 97662424	SENSORE DI LIVELLO LEVEL SENSOR	CAPTEUR DE NIVEAU STANDSENSOR	CAPTADOR DE NIVEL
6 95509147	ASSIEME SENSORE CONDUCIBILITA' WATER CONDUCTIVITY SENSOR ASS.	GR. CAPTEUR CONDUCTIBILITÉ GR. LEITFÄHIGKEITSSENSOR	GRUPO SENSOR CONDUCTIBILIDAD
9 51232039	VITE TCEI M4X10 SCREW TCEI M4X10	VIS TCEI M4X10 SCHRAUBE TCEI M4X10	TORNILLO TCEI M4 X 10
10 51447093	VITE AUT TPS CRO 3X12 CSK CR.HD TAPPING SCR 3X12	VIS AUTOT. TF PLATE CHR. 3X12 SENKSCHNEIDSCHRAUBE KREUZ 3X12	TORN AUT C/PLANA AVELL CR 3X12
11 95530418	ASS COPERCHIO SERBATOIO TANK COVER ASSEMBLY	ENS.COUPER.RESERVOIR TANKABDECKUNG GR.	GR. TAPA DEPOSITO
12 99951056	STAFFA SPORTELLO SERBATOIO TANK DOOR BRACKET	BRIDE PORTE RÉSERVOIR KLAPPENBÜGEL BEHÄLTER	SOPORTE PUERTA DEPÓSITO
13 97467330	RACCORDO SERBATOIO RACCORDO SERBATOIO	RACCORDO SERBATOIO RACCORDO SERBATOIO	RACCORDO SERBATOIO
15 97400179	GUARNIZIONE D30X20X3 EPDM D30X20X3 EPDM GASKET	GARNIT. D30X20X3 EPDM DICHTUNG D30X20X3 EPDM	FORRO D30X20X3 EPDM
16 97420041	GHIERA PG9 GRIGIA PG9 GRAY RING	EMBOUT PG9 GRIS MUTTER PG9 GRIGIA	VIROLA PG9 GRIS
17 97388500	GUARNIZIONE 20X13,9X1,2 20X13,9X1,2 GASKET	JIONT 20X13X1,2 DICHTUNG 20X13,9X1,2	JUNTA 20X13X1,2

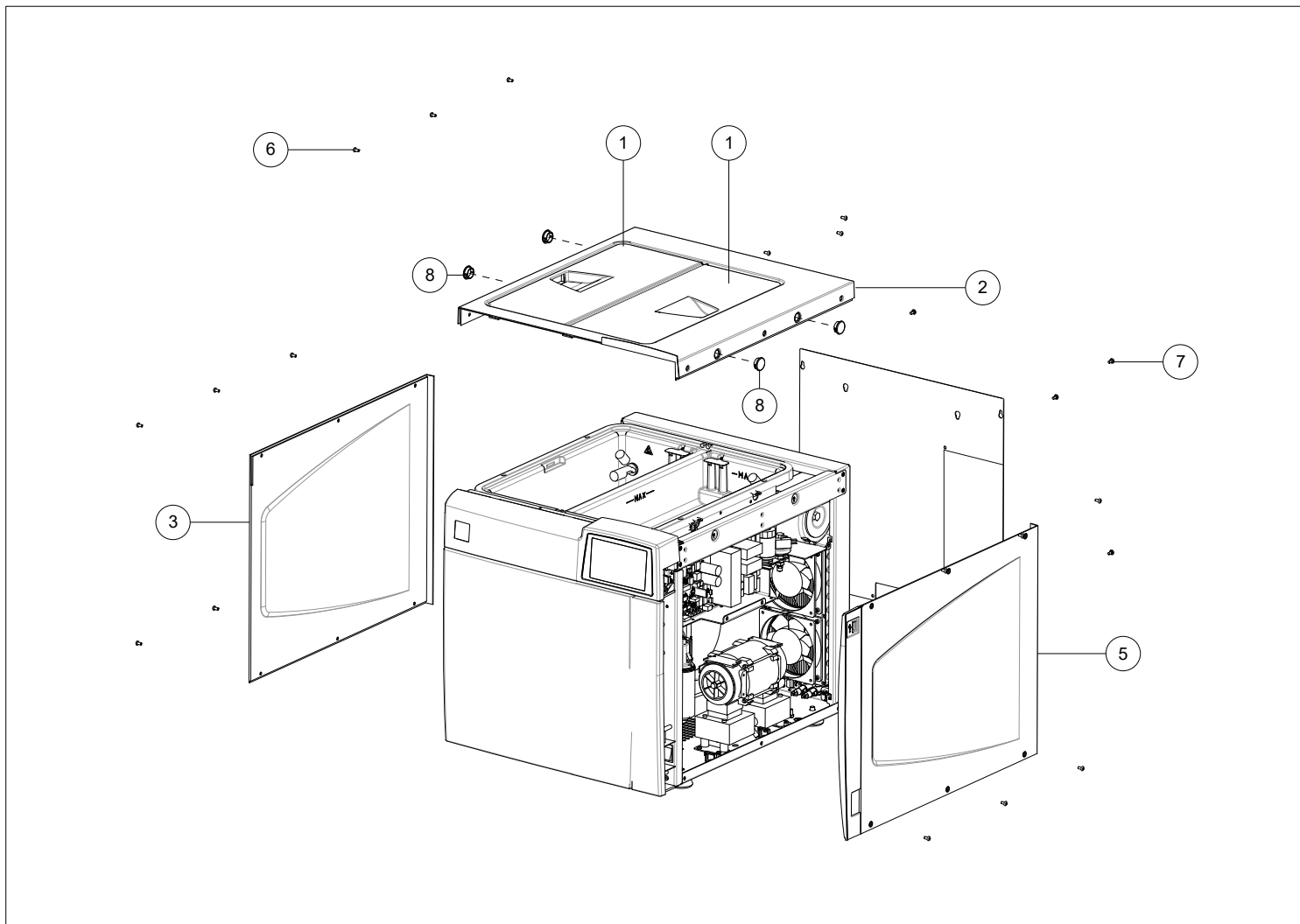


n. Code	Descrizione / Description	Description / Beschreibung	Descripción
18 97420236	TAPPO PG9 PG9 CAP	BOUCHON PG9 VERSCHLUSS PG9	TAPA PG9

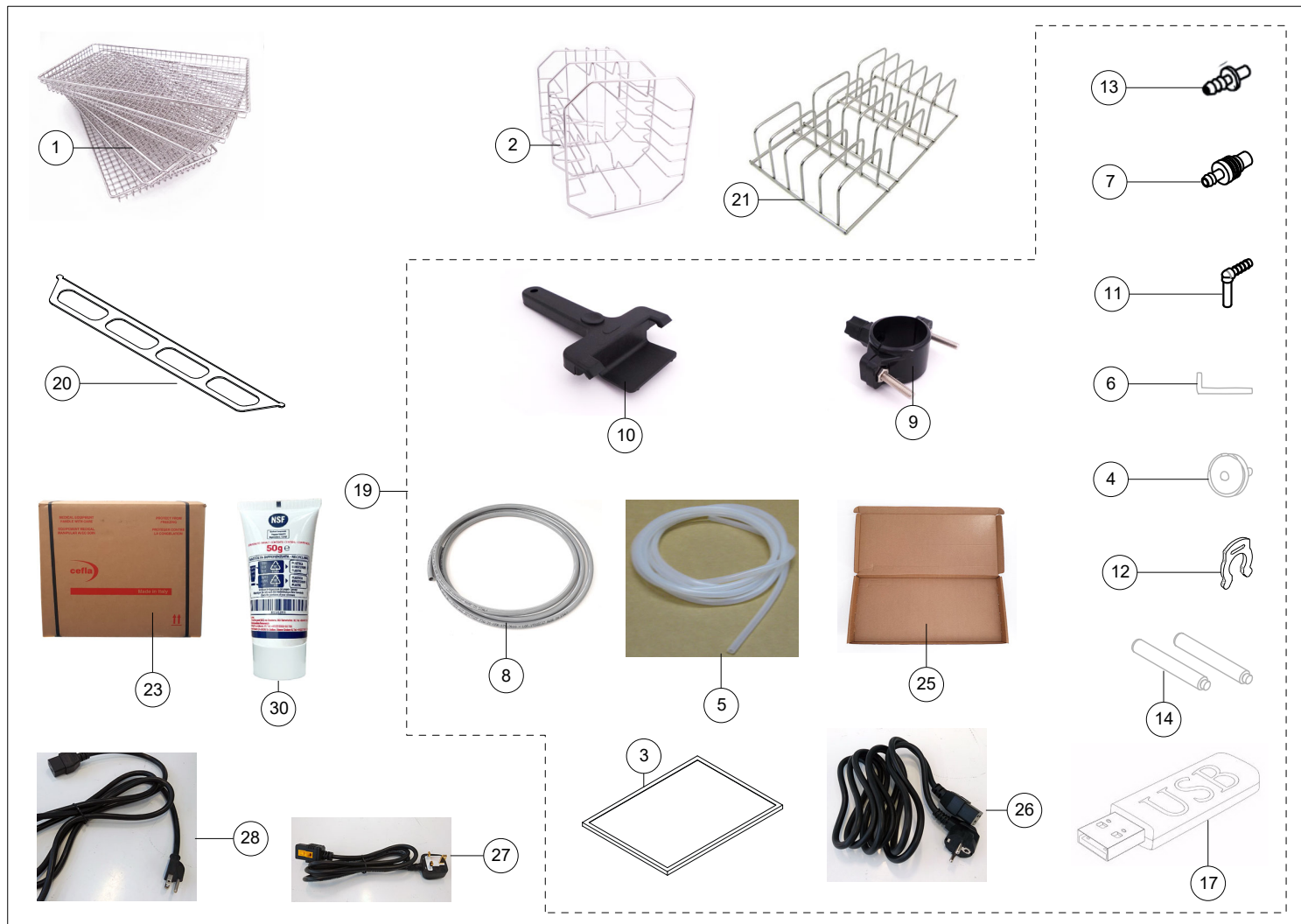


n. Code	Descrizione / Description	Description / Beschreibung	Descripción
1 97467126	CONTROSPORTELLLO INTERNAL DOOR	CONTRE PORTE GEGEN TÜR	CONTRA-PUERTA
2 97467144	SPORTELLLO MOCOM MOCOM DOOR	MOCOM PORTE MOCOM TÜR	MOCOM PUERTA
3 97467124	TAPPO MOCOM MOCOM PLUG	BOUCHON MOCOM VERSCHL. MOCOM	TAPÓN MOCOM
4 99951479	LAMIERA COPERTURA COVER PLATE	TOLE COUVERTURE ABDECK.SBLECH	CHAPA COBERTURA
5 51447093	VITE AUT TPS CRO 3X12 CSK CR.HD TAPPING SCR 3X12	VIS AUTOT. TF PLATE CHR. 3X12 SENKSCHEIDSCHRAUBE KREUZ 3X12	TORN AUT C/PLANA AVELL CR 3X12
6 99951201	PERNO SPORTELLLO DOOR PIN	PIVOT PORTE BOLZEN FÜR KLAPPE	PERNO PUERTA
7 55103002	ANELLO BENZIG RS3.2 BENZIG RS3.2 RING	BAGUE BENZIG RS3.2 RING BENZIG RS 3.2	ANILLO BENZING RS3.2
8 53107004	ROND D=4,3X9 S=0,8 NYLON WASHER D=4,3X9 S=0,8 NYLON	RONDELLE D=4,3X9 S=0,8 NYLON UNTERLEGS. D=4,3X9 S=0,8 NYLON	ARAND. D=4,3X9 S=0,8 NYLON
9 51467003	VITE AUT T/BOMB 3X12 A2 ROUND HEAD TAPPING SCR 3X12 A2	VIS AUTOT. TÊTE BOMBÉE 3X12 A2 LINSENKSCHEIDSCHRAUBE 3X12 A2	TORN AUT C/ABOMB 3X12 A2
19 97783239			

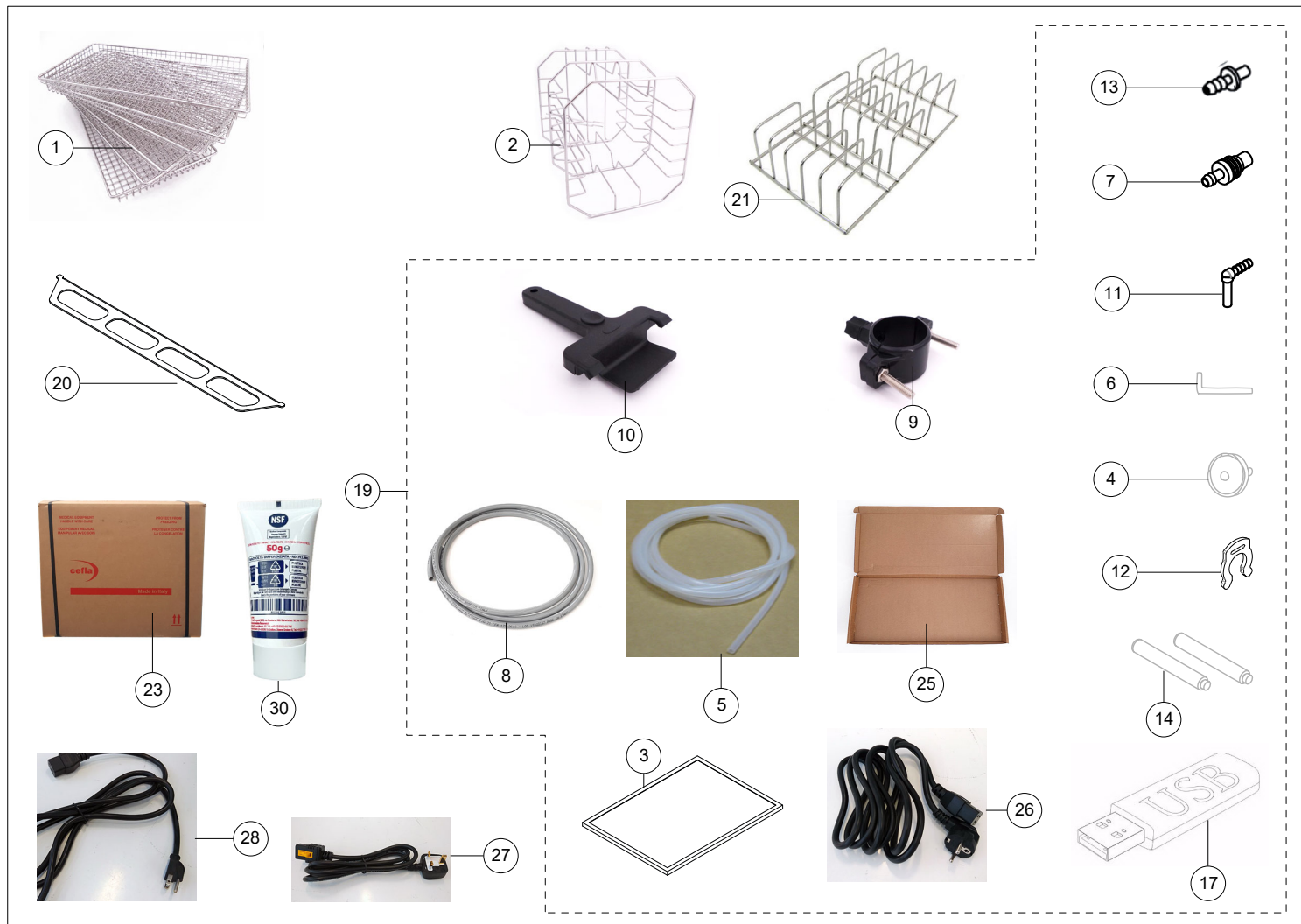




n. Code	Descrizione / Description	Description / Beschreibung	Descripción
1 95530418	ASS COPERCHIO SERBATOIO TANK COVER ASSEMBLY	ENS.COUPER.RESERVOIR TANKABDECKUNG GR.	GR. TAPA DEPOSITO
2 97467136	COPERTURA SUPERIORE TOP COVER	CARTER SUPÉRIEUR OBERE ABDECKUNG	COBERTURA SUPERIOR
3 97467135	COPERTURA LATERALE SX LH SIDE COVER	CARTER LATÉRAL GAUCHE SEITLICHE ABDECKUNG LINKS	COBERTURA LATERAL IZDA
5 97467134	COPERTURA LATERALE DX RIGHT SIDE COVER	CARTER LATÉRAL DROIT ABDECKUNG RECHTS SEITLICH	CUBIERTA LATERAL DERECHA
6 51262010	VITE T/BOMB EI M4X8 10.9 T/BOMB SCREW EI M4X8 10.9	VIS T/BOMB EI M4X8 10.9 SCHRAUBE T/BOMB EI M4X8 10.9	TORNILLO T/BOMB EI M4X8 10.9
7 99950002	VITE T.CIL.CROCE ZIGR.SOTT.4X8 CROSSHEAD SCREW M4X8 A2	VIS TC CRUCIFORME M4X8 A2 KR-SCHLITZSCHRAUBE ZK M4X8 A2	TORNILLO C/CIL CRUZ M4X8 A2
8 97460388	TAPPO CIL D 14 BIANCO LUC GLOSS WHITE PLUG - D=14 MM	BOUCHON BLANC BRILLANT - D = 1 VERSCHLUSS WEISS GLÄNZEND - D	TAPÓN BLANCO BRILLANTE - D=14



n. Code	Descrizione / Description	Description / Beschreibung	Descripción
1 99951042	VASSOIO IN FILO 28 LT 28LT STEEL WIRE TRAY	PLATEAU EN FIL ACIER 28 L TABLETT AUS DRAHTGITTER 28 L	BANDEJA DE ALAMBRE 28 L
2 99951041	PORTATRAYS 28 LT TRAY HOLDER 28 LT	PORTE-PLATEAUX 28 LT TRAYHALTER 28 LT	PORTABANDEJAS 28 LT
3 99951019	FILTRO ANTIPOLVERE ANTI DUST FILTER	FILTRE ANTI-POUSSIÈRE STAUBSCHUTZFILTER	FILTRO ANTIPOLVO
4 97290160	FILTRO BATTERIOLOG 0.2 0.2 BACTERIOLOGICAL FILTER	FILTRE BACTERIOLOG. 0.2 BAKTERIOLOGISCHER FILTER 0.2	FILTRO BACTERIOLOGICO 0.2
5 97340129	TUBO SILICONE 6X10 SILICONE PIPE 6 X 10	TUYAU SILICONE 6X10 SILIKONROHR 6X10	TUBO SILICONA 6X10
6 58008036	CHIAVE BRUGOLA S5 S5 HEX WRENCH	CLE MALES S5 INBUSSCHLÜSSEL S5	LLAVE 5S
7 97550099	INNESTO PIPU80-PG8 PIPU80-PG8 PLUG-IN	JOINT PIPU80-PG8 GRAFT PIPU80-PG8	CONEXION PIPU80-PG8
8 97340232	TUBO POLIURETANO 6X8 GRIGIO POLYURETHAN 6X8 GREY TUBE	TUYAU POLYURETHANE 6X8 GRIS POLYURETHAN-SCHLAUCH 6X8 GRAU	TUBO POLIURETANO 6X8 GRIS
9 97560045	RACC SCAR CONCENTR/TUBO1/4 DISCH CONCENTR/TUBE1/4 CONNECT	RACCORD SCAR CONC/TUYAU1/4 KONZENT. ABLAUFST/SCHLAUCH 1/4	CONEX. SCAR CONC/TUBO1/4
10 97467066	ESTRATTORE VASSOI TRAYS EJECTOR	EJECTEUR PLATEAU ENTNAHMEVORRICHTUNG TRAYS	EXTRACTOR BANDEJA
11 97440049	COD.PORTAGOMMA GOM.1/4X1/4 1/4X1/4 RUB HOSE ADAPT CONNECT	EMBOUT P.-TUYAU COUDÉ 1/4X1/4 WINKEL-SCHL.ANSCHL. 1/4X1/4	MANGO PORTAGOMA CODO 1/4X1/4
12 97550086	CLIP BLOCCA PINZETTA 1/4" 1/4" PINCERS BLOCKING CLIP	CLIP BLOC PINCETTE 1/4" SAFETY CLIP -(THERMOPL-POLYURE	CLIP BLOQUE PINZA 1/4"
13 97960068	RACC P.GOMMA CODOLO TUBO 1/4 TUBE 1/4 SHANK HOSE ADAPT CONN	CONEC.GOMME QUEUE 1/4 SCHL.ANSCHLUSS SCHL.ENDST. 1/4	CONEC.GOMA ESPIGA 1/4
14 99950961	DISTANZIALE POSTERIORE REAR SPACER	ECARTEMENT POSTERIEUR HINTEN SPACER	DISTANCIADOR TRASERO



n. Code	Descrizione / Description	Description / Beschreibung	Descripción
17 97668162	USB PEN 2.0 8GB USB PEN 4GB	CLÉ USB 2.0 8GB USB-STICK 2.0 8GB	MEMORIA USB 2.0 8 GB
19 95509242	DOTAZIONE AUTOCLAVE AUTOCLAVE EQUIPMENT	OUTILS AUTOCLAVE AUSST. AUTOKLAV	DOTACION AUTOCLAVE
20 99951363	MENSOLA PORTATRAY 22/28L 22/28L TRAY HOLDER SHELF	ETAGERE PORTETRAY 22/28L BRETT TRAYTABLETT 22/28L	ESTANTE PORTATRAY 22/28L
21 99950394	PORTABUSTE SLEEVES HOLDER	PORTE-SACS BEUTELHALTER	PORTA-BOLSOS
23 95530404	ASS IMBALLO PACKAGING ASSY	ENS EMBALLAGE EINH. VERPACKUNG	CONJ. EMBALAJE
25 97920807	SCATOLA ACCESSORI (550X270X40) ACCESSORY BOX (550X270X40)	BOITE ACCESS. (550X270X40) ZUBEHOERKASTEN (550X270X40)	CAJA ACCES. (550X270X40)
26 97526185	CAVO ALIM 3X1,5 C19-SCHUKO C19-SCHUKO CHARGER CABLE 3X1,5	CABLE ALIM.3X1,5 C19-SCHUKO VERSORG.KABEL 3X1,5 C19-SCHUKO	CABLE ALIM.3X1,5 C19-SCHUKO
27 97526202	CAVO ALIM3X1,5 C19-BS1363UK C19-BS1363UK CHARG CABLE 3X1,5	CABLE ALIM.3X1,5 C19-BS1363UK VERSORGUNGSKABEL 3X1,5 C19-BS1	CABLE ALIM.3X1,5 C19-BS1363UK
28 97526215	CAVO ALIM SJTW 3XAWG14 C19-NEM SJTW 3XAWG14 C19-NEM CHAR CABL	CABLE ALIM.SJTW 3XAWG14 C19NEM VERSORGUNGSKABEL SJTW 3XAWG14	CABLE ALIM.SJTW 3XAWG14 C19NEM
30 97850038	TUBETTO GRASSO NILEX EP1 50GR NILEX EP1 50GR GREASE TUBE	TUYAU GRAISSE NILEX EP1 50GR SCHMIERETUBE NILEX WP1 50GR	TUBO GRASA NILEX EP1 50GR



1



4



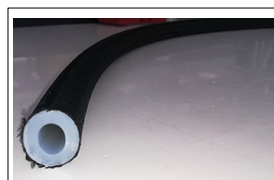
2



5



3



8

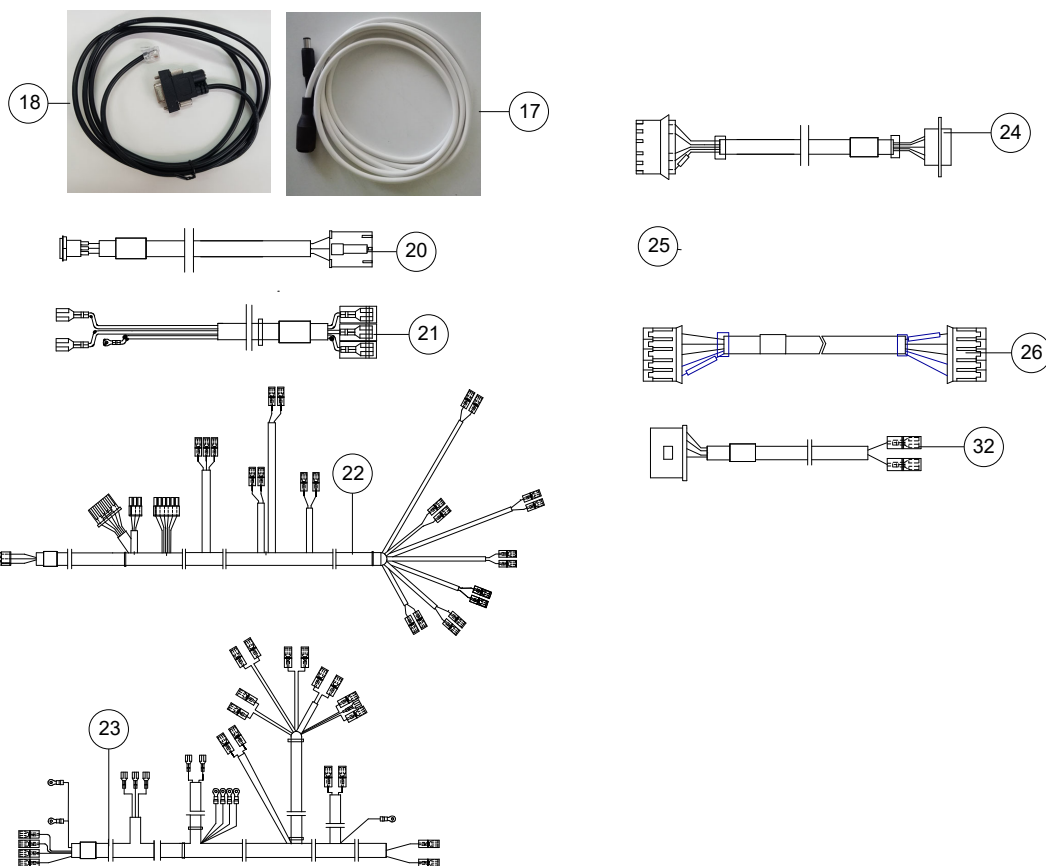


6



9

n. Code	Descrizione / Description	Description / Beschreibung	Descripción
1 97340142	TUBO 4X2.5 FEP 140 Teflon pipe FEP 140 4x2.5 mm.	Teflon pipe FEP 140 4x2.5 mm. Teflon pipe FEP 140 4x2.5 mm.	Teflon pipe FEP 140 4x2.5 mm.
2 97340129	TUBO SILICONE 6X10 SILICONE PIPE 6 X 10	TUYAU SILICONE 6X10 SILIKONROHR 6X10	TUBO SILICONA 6X10
3 97340131	TUBO SILICONE D=6X12 CALZ NERO SILICONE PIPE 6X12	TUYAU SILICONE 6X12 SILIKONROHR 6X12	TUBO SILICONA 6X12
4 97340232	TUBO POLIURETANO 6X8 GRIGIO POLYURETHAN 6X8 GREY TUBE	TUYAU POLYURETHANE 6X8 GRIS POLYURETHAN-SCHLAUCH 6X8 GRAU	TUBO POLIURETANO 6X8 GRIS
5 97340141	TUBO SILIC 6X13 GRIGIO-NERO SILIC.TUBE 6X12 GREY-BLACK	TUYAU SILIC. 6X12 GRIS-NOIR SILIKONSCHL. 6X12 GRAU-SCHWARZ	TUBO SILIC 6X12 GRIS-NEGRO
6 97150006	FASCETTA CLIC 66-120 CLIC STRIP 66-120	BANDE CLIC 66-120 BAND CLIC 66-120	ABRAZADERA CLIC 66-120
8 97340224	TUBO SILICONE 10X20 TRECCIATO BRAIDED 10X20 SILICON TUBE	TUYAU SILICONE 10X20 TRESSE SILIKONSCHLAUCH 10X20 VERDRILL	TUBO SILICONA 10X20 TRENZADO
9 97815296	MOLLA BIFILARE BIFM202059 BIFM202059 TWO WIRE SPRING	RESSORT BIFILAIRE BIFM202059 ZWEIFÄDIGE FEDER BIFM202059	MUELLE BIFILAR BIFM202059

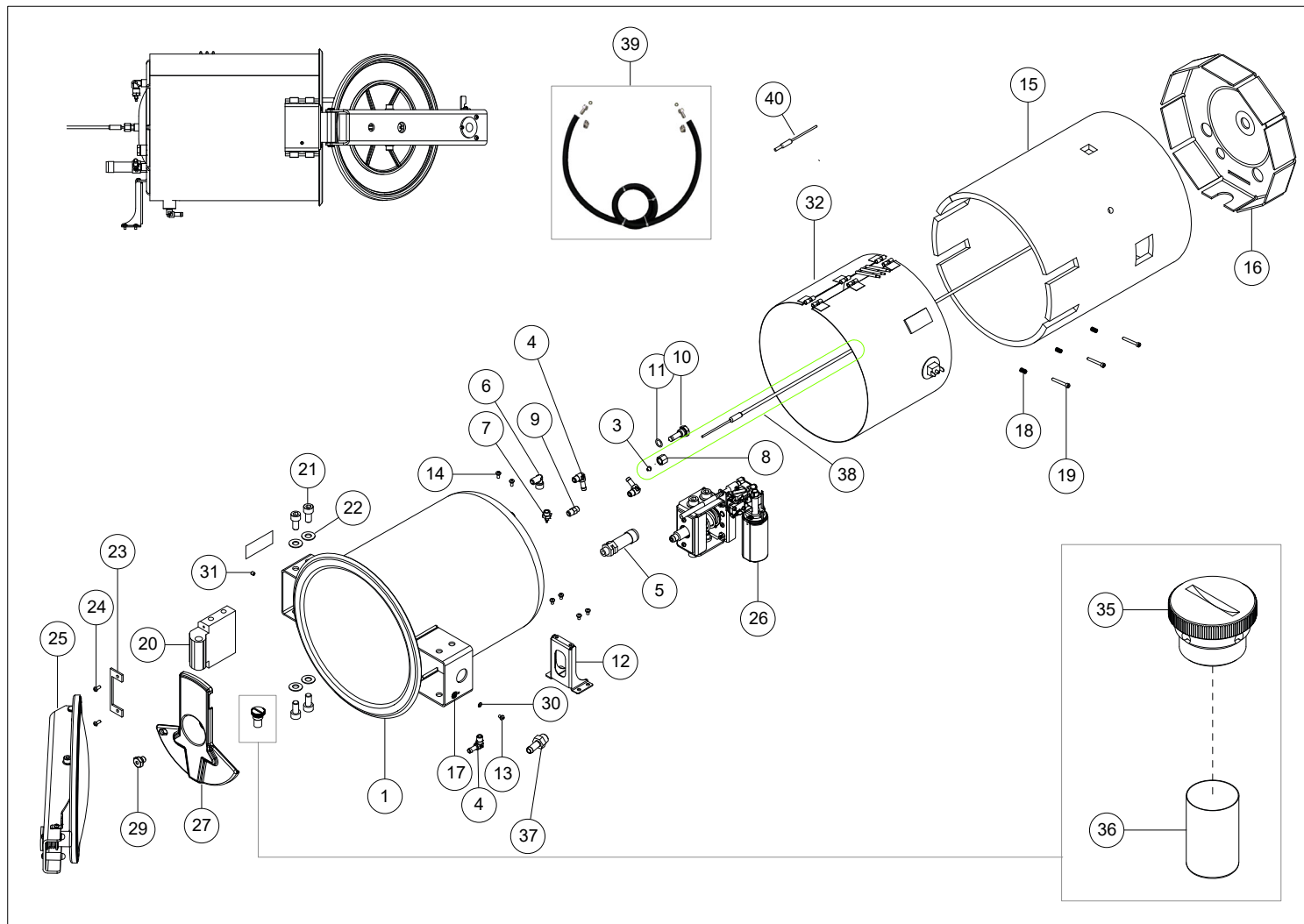


n. Code	Descrizione / Description	Description / Beschreibung	Descripción
17 97526232	PROLUNGA POMPA DI CARICO LOADING PUMP EXTENSION	RALLONGE POMPE DE CHARGEMENT LADEN VERLAENGERUNGSPUMPE	EXTEN.BOMBA DE CARGA
18 97526245	CABL. AUTOCLAVE-STAMPANTE STD STD PRINTER-AUTOCLAVE CABLE	CABLE AUTOCLAVE-IMPRIMANTE STD AUTOKLAVEN/DRUCKER STD. KABEL	CABLE AUTOCLAVE-IMPRESORA STD
20 97526188	CABLAGGIO SISTEMI DI CARICO CHARGING SYSTEM WIRING	CABL. SIST. DE CHARG. VERKABELUNG BEFÜLLUNGSSYSTEME	CABL. SISTEMA DE DESCARGA
21 97526186	CABLAGGIO FUSIBILI FUSES WIRING	CABL. FUSIBLE VERKABELUNG SICHERUNGEN	CABL. FUSIBLES
22 97526187	CABLAGGIO BASSA TENSIONE LOW VOLT.WIRING	CABL. BAISSSE TENSION VERKABELUNG NIEDERSpannung	CABL. BAJA TENSION
32 97526286	IMP. EL. MICROSWITCH DOOR MICROSWITCH DOOR EL. SYS.	IMP. EL. MICROSWITCH PORTE#N/D ELEKTR. ANL. TÜRMIKROSCHALTER	IMP.EL.MICROSWITCH PUERTA#N/D
23 97526193	CABLAGGIO ALIMENTAZIONE POWER SUPPLY WIRING	CABL. ALIMENTATION VERSORGUNGSVERKABELUNG	CABL. ALIMENTACION
24 97526190	CABLAGGIO PORTA SERIALE SERIAL PORT CABLE	CÂBLE DE PORT SÉRIE SERIELLE KABEL	CABLE DE PUERTO SERIAL
26 97526184	CABLAGGIO USB USB WIRING	CABLAGE USB USB-VERKABELUNG	CABL. USB
25 97526192	CAVO STP SCH X RETI CAT.5E 8PO CAT.5E 8PO NET BOARD STP CABLE	CÂBLE STP BLIN. P/RÉSEAUX CAT. KABEL STP NETZWERKPLAT. KAT.5E	CABLE STP TARJ. PARA REDES CAT

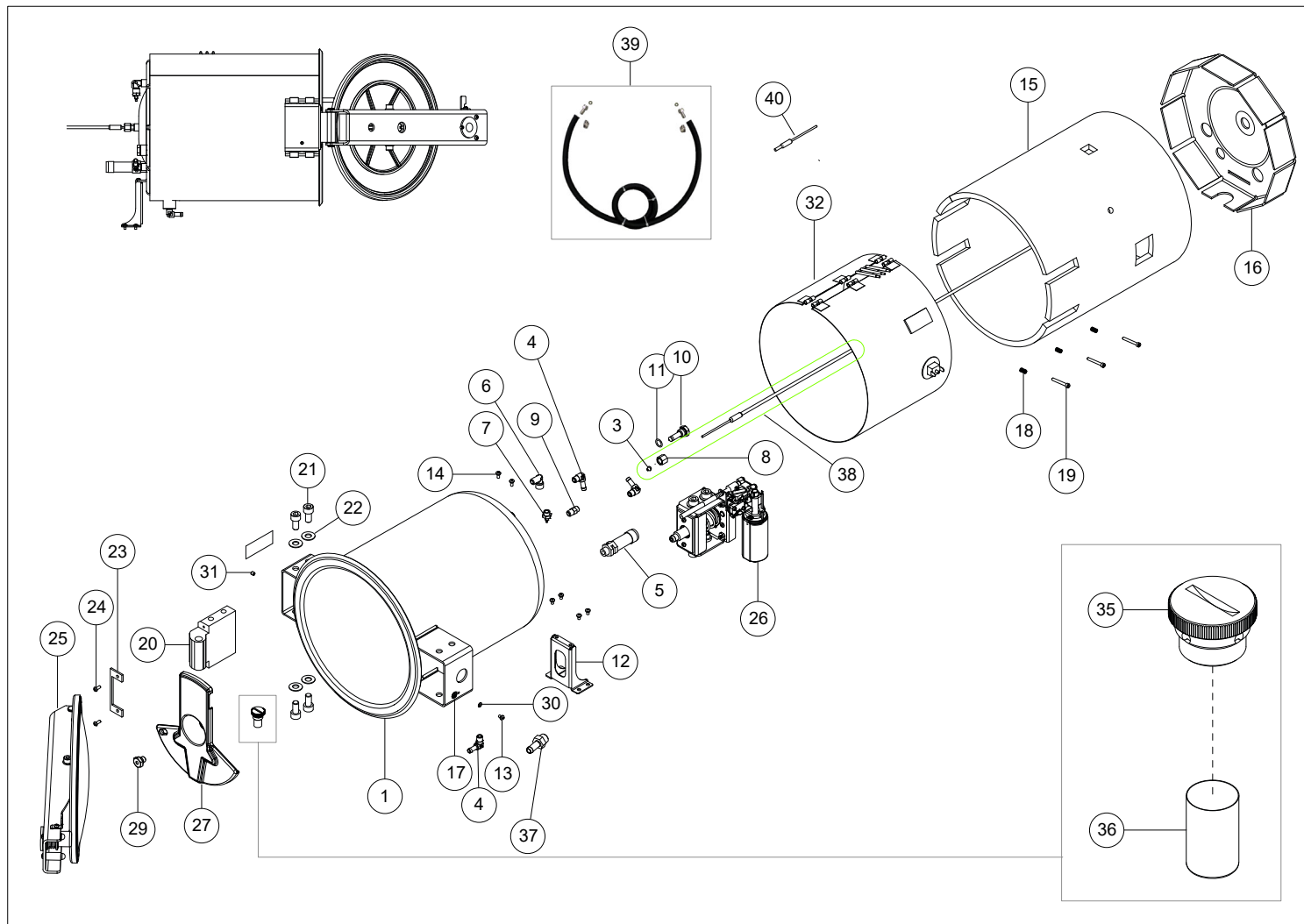
n. Code	Descrizione / Description	Description / Beschreibung	Descripción
1	Assieme caldaia 17lt Boiler assembly 17 l	Ensemble chaudière 17 l Aggregat Kessel 17 l	Conjunto caldera 17lt
2	Assieme oblò 17lt / 22lt Port assembly 17 l / 22 l	Ensemble hublot 17 l / 22 l Tür-Aggregat 17 l / 22 l	Conjunto ventana 17lt / 22lt
3	Assieme sistema di chiusura Locking system assembly	Ensemble système de fermeture Aggregat Verriegelungssystem	Conjunto sistema de cierre
4	Assieme generatore di vapore 230V 230V Steam generator assembly	Ensemble générateur de vapeur 230V 230V Dampfgenerator-Aggregat	Conjunto generador de vapor 230V
5	Fascia laterale / cornice frontale / display Classic Side panel / front frame / Classic display	Bande latérale / cadre frontal / afficheur Classic Seitliche Verkleidung / Rahmen vorne / Display Classic	Banda lateral / marco frontal / pantalla Classic
6	Assieme pompa a vibrazione (generatore di vapore) Vibration pump assembly (steam generator)	Ensemble pompe à vibrations (générateur de vapeur) Vibrationspumpen-Aggregat (Dampfgenerator)	Conjunto bomba de vibración (generador de vapor)
7	Assieme pompa a vuoto H5 Vacuum pump assembly H5	Ensemble pompe à vide H5 Vakuumpumpen-Aggregat H5	Conjunto bomba de vacío H5
8	Assieme scheda Board assembly	Ensemble carte Aggregat Platine	Conjunto tarjeta
9	Traverse e portale Crosspieces and frame	Traverses et portail Querträger und Rahmen	Travesaños y portal
10	Chassis varie Chassis, various components	Châssis divers Chassis, verschiedene Teile	Chasis varias
11	Scambiatore di calore S Classic Heat exchanger S Classic	Échangeur de chaleur S Classic Wärmeaustauscher S Classic	Intercambiador de calor S Classic
12	Assieme manifold Manifold assembly	Ensemble manifold Manifold-Aggregat	Conjunto manifold
13	Assieme serbatoio carico / scarico Filling/drain tank assembly	Ensemble réservoir de chargement / vidange Aggregat Befülltank / Ablasstank	Conjunto depósito de carga / descarga
14	Assieme sportello Mocom Mocom Door assembly	Ensemble trappe Mocom Aggregat Mocom Türklappe	Conjunto puerta Mocom

n. Code	Descrizione / Description	Description / Beschreibung	Descripción
15	Coperture Covers	Couvertures Abdeckungen	Coberturas
16	Dotazione "S" Equipment "S"	Dotation "S" Ausstattung "S"	Equipamiento "S"
18	Assieme trasduttore e pressostato Transducer and pressure switch assembly	Ensemble transducteur et pressostat Einheit Geber und Druckwächter	Conjunto transductor y presostato
21 <b>95509167</b>	KIT MANUTENZ. ANNUALE 17/22 LT ANNUAL MAINTENANCE KIT 17/22LT	KIT ENTRETIEN ANNUEL 17/22 LT KIT JÄHRLICHE WARTUNG17/22L	KIT MANTENIMIENTO ANUAL 17/22L
22	Tubazioni - Cablaggi Piping - Wiring	Tuyauteries - Cabalges Rohrleitungen - Kabel	Tuberías - Cableados
23	Cablaggi Wiring	Cabalges Kabel	Cableados

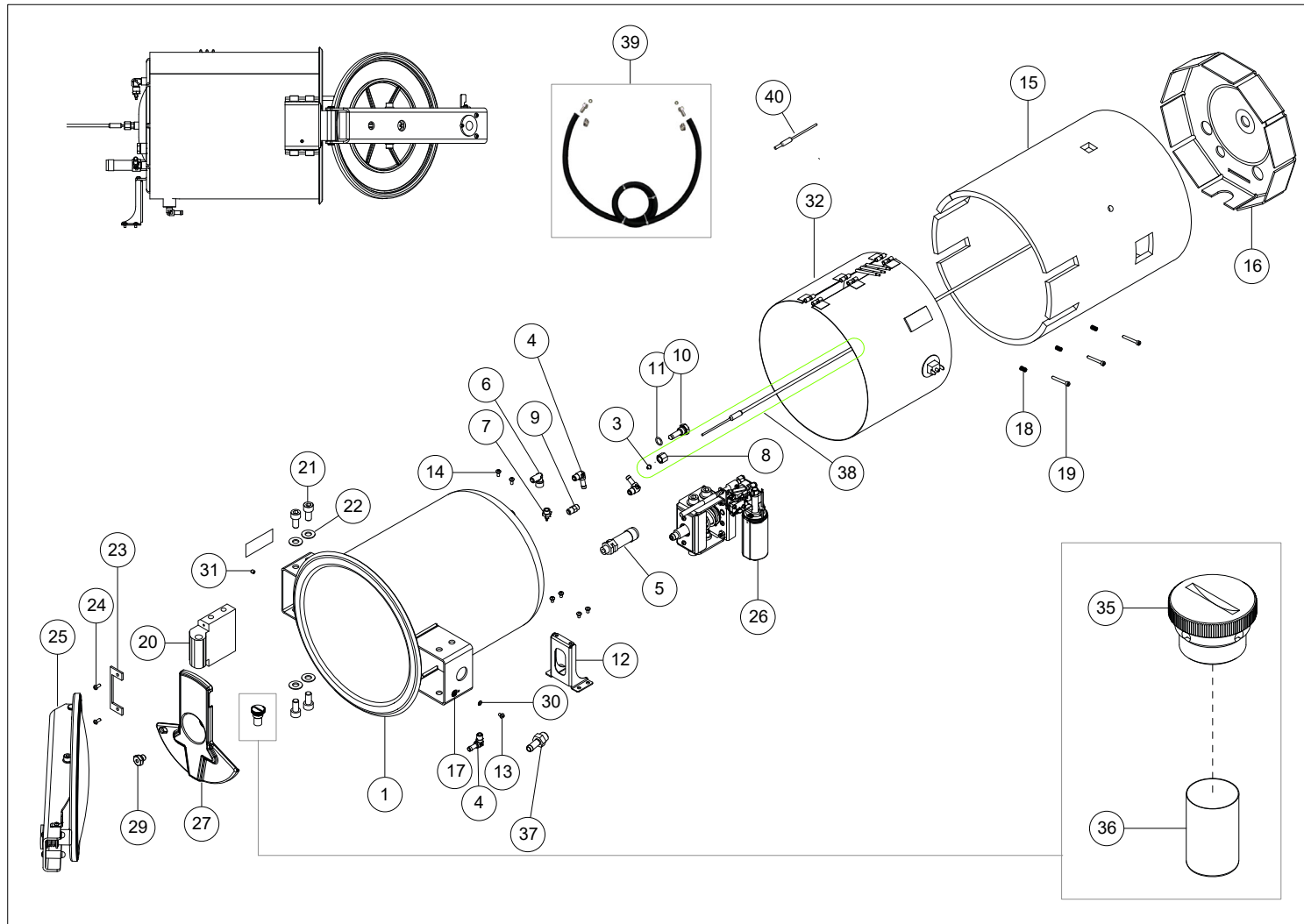




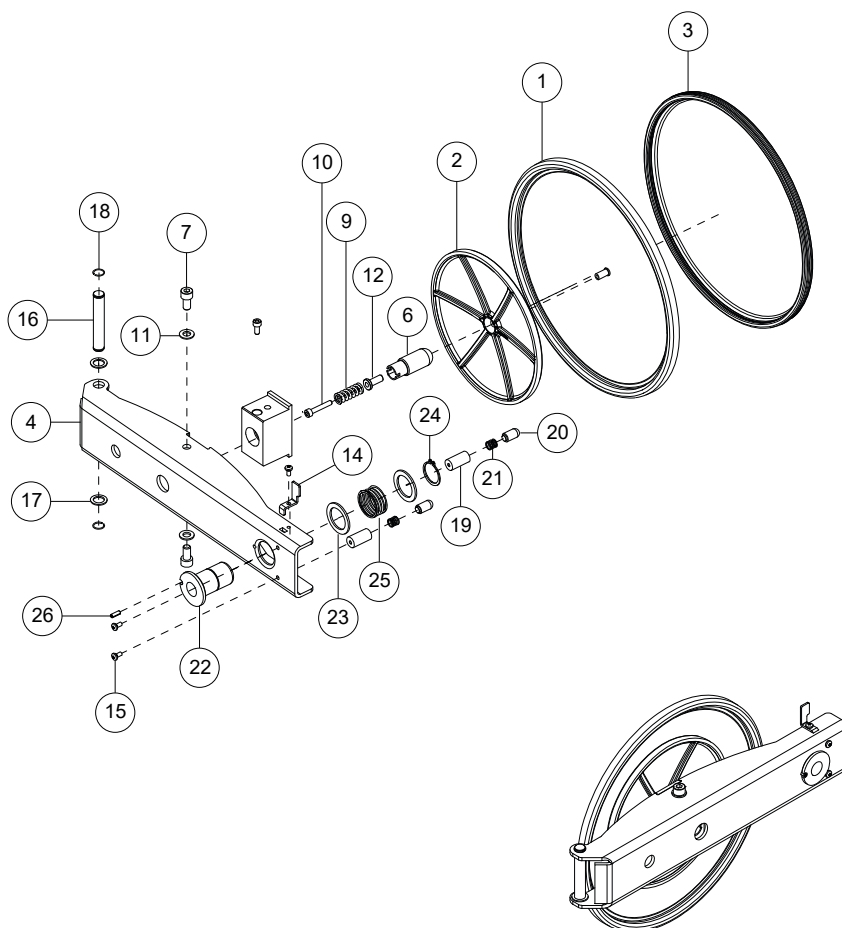
n. Code	Descrizione / Description	Description / Beschreibung	Descripción
1	99951885		
3	99950030 RACC SONDA PROBE FITTING	RACCORD SONDE SONDENANSCHLUSS	EMP SONDA
4	99950946 RACC. P.GOMMA ANG M G1/8 D7,9 M G1/8 D7.9 ANG HOSE CONNECTR	RACC.P.TUYAU COUDÉ M G1/8 D7,9 WINKELSCHL.ANSCHL. M G1/8 D7,9	CONEX PORTAG ANG M G1/8 D7,9
5	97290156 VALVOLA SIC.TUV 1/4" T2.4 BAR SAFETY VALVE 1/4-T 2.4 BAR"	CLAPET/SÛRETÉ 1/4-T 2.4 BAR" SICHERHEITSV. 1/4-T 2.4 BAR"	VALVULA SIC 1/4-T 2.4 BAR"
6	97960028 RACC ANG FM G1/8 ANG FITTING FM G1/8	RACC. ANG. FM G1/8 WINKEL-ANSCHLUSS FM G1/8	UNION ANG FM G1/8
7	97988600 RACC DIRITTO MASC.1/8 + RESCA STRAIGHT FITTING 1/8 MALE	RACCORD DROIT 1/8 MÂLE CANNELÉ GERADER ANSCHLUSS MÄNNL. 1/8 +	UNIÓN RECTA MACHO 1/8 + ESPIGA
8	99950028 DADO RACC SONDA 12X11.5 PROBE FITTING NUT 12X11.5	ÉCROU RACCORD SONDE 12X11.5 MUTTER F SONDENANSCHL 12X11.5	TUERCA EMP SONDA 12X11.5
9	99950031 RACC SONDA ESAG G1/8 G1/8 HEX PROBE FITTING G1/8 G1/8	RACC. SONDE HEXAG. G1/8 G1/8 SECHSKANTVER. SONDE G1/8	UNION SONDA ESAG G1/8 G1/8
10	99951447 RACC. TAPPO CON FERMO BRAKE CAP CONNECTOR	CONEC. BOUCH. AVEC ARRET ANSCHL. DECKEL MIT VERSCHLUSS	CONEX. TAPA CON TOPE
11	97360013 OR 1,78X11,11 VITON 75 SHA OR 1.78X11.11	JOINT TORIQUE 1,78X11,11 O-RING 1,78X11,11	OR 1,78X11,11
12	99950989 STAFFA SUPPORTO CALDAIA BOILER SUPPORT BRACKET	SUPPORT DE CHAUDIÈRE KESSEL-HILFS-KLAMMER	SOPORTE DE CALDERA
13	99950001 VITE T.CIL.CROCE ZIGR.SOTT.4X6 SOCKET HEAD SCREW M4X6 A2	VIS TC CRUCIFORME M4X6 A2 KR-SCHLITZSCHRAUBE ZK M4X6 A2	TORNILLO C/CIL CRUZ M4X6 A2
14	99950002 VITE T.CIL.CROCE ZIGR.SOTT.4X8 CROSSHEAD SCREW M4X8 A2	VIS TC CRUCIFORME M4X8 A2 KR-SCHLITZSCHRAUBE ZK M4X8 A2	TORNILLO C/CIL CRUZ M4X8 A2
15	99951020 PANNELLO TERMOISOL. 17 LT HEAT INSULATING PANEL 17LT	PANNEAU THERMO-ISOLANT 17LT WÄRME ISOLIERENDE PANEL 17LT	PANEL AISLANTE DE CALOR 17LT



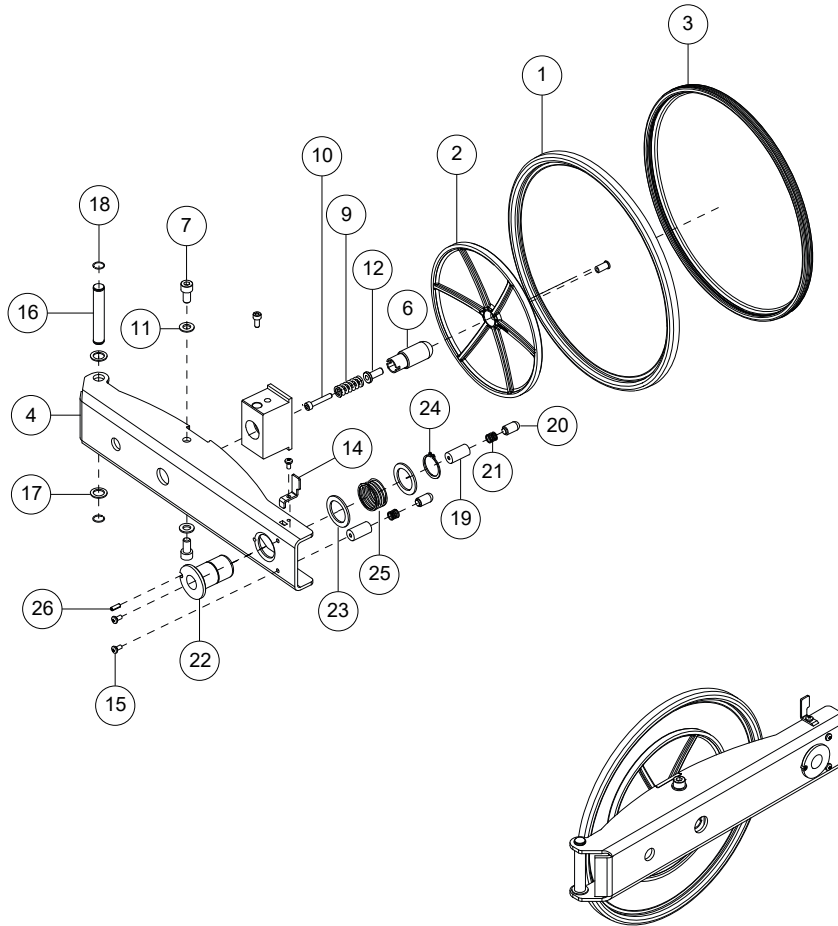
n. Code	Descrizione / Description	Description / Beschreibung	Descripción
16 99951021	PANNELLO TERMOIS.POST.17-22 REAR HEAT INSULATING PANEL 17-	ISOLANT THERMIQUE CONTRE-FEU 1 RÜCKSEITE WÄRME ISOLIEREND 17-	PANEL AISLANTE DE CALOR 17-22L
17 97780158	TARGA MASSA D=10MM FONDO GROUND PLATE D=10MM	PLAQUE MASSE D=10MM SCHILD ERDUNG	PLACA MASA
18 97815248	MOLLA C D7,3 DF 1 LF10 D7.3 DF 1 LF10 C SPRING	RESSORT C D7,3 DF 1 LF10 FEDER C D7,3 DF 1 LF10	MUELLE C D7,3 DF 1 LF10
19 FM111C440	VITE TCEI M4X40 ZINC TCEI SCREW M4X40 GALV	VIS TCHC M4X40 ZING SCHRAUBE TCEI M4X40 VERZ	TORNILLO TCEI M4X40 CINC
20 99951476	STAFFA FULCRO PIVOT BRACKET	ETRIER CENTRE ANSCHWENKBÜGEL	SOPORTE FULCRO
21 51232019	VITE TCEI M10X20 8.8 SCREW TCEI M10X20 8.8	VIS TCEI M10X20 8.8 SCHRAUBE TCEI M10X20 8.8	TORNILLO TCEI M10X20 8.8
22 53104124	NON FORNIBILE NOT AVAILABLE	NON DISPONIBILE A LA VENTE NICHT LIEFERBAR	NO SUMINISTRABLE
23 99951467	DISTANZIALE LATO CERNIERA HINGE SIDE SPACER	ENTRETOISE COTE CHARNIERE Distanzst. Scharnierseite	DISTANCIADOR LADO CREMALLERA
24 51262070	VITE T/BOMB EI M4X10 INOX T/BOMB SCREW EI M4X10 INOX	VIS T.BOMBÉE EI M4X10 INOX LINSENKOPFSCHRAUBE EI M4X10 ED	TORNILLO C/ABOMB. EI M4X10 ACE
25 95530864	ASS GRUPPO CALDAIA 17-22 L ASS GRUPPO CALDAIA 17-22 L	ASS GRUPPO CALDAIA 17-22 L ASS GRUPPO CALDAIA 17-22 L	ASS GRUPPO CALDAIA 17-22 L
26	<a href="#">Assieme sistema di chiusura</a> <a href="#">Locking system assembly</a>	<a href="#">Ensemble système de fermeture</a> <a href="#">Aggregat Verriegelungssystem</a>	<a href="#">Conjunto sistema de cierre</a>
27 97467185	COPERTURA CONNETTORI CONNECTORS COVER	COUVERTURE CONNECTEURS ABDECKUNG STECKVERBINDER	COBERTURA CONECTORES
29 99951446	DADO FISS. DIFFUSORE DIFFUSER FIXING NUT	VIS FISS. DIFFUSEUR BEF.MUTTER STREUSCHEIBE	TORN. FIJ. DIFUSOR
30 53135028	ROND DENT EST D 4 Z.D.BIANCA INDENT.WASHER EST D 4 Z.D.WHIT	RONDELLE DENTELÉE EXT D 4 G.D. ZAHNSCHEIBE AUSS. D 4 Z.D.WEIS	ARAND. DENT. EXT. D 4 C.D. BLA



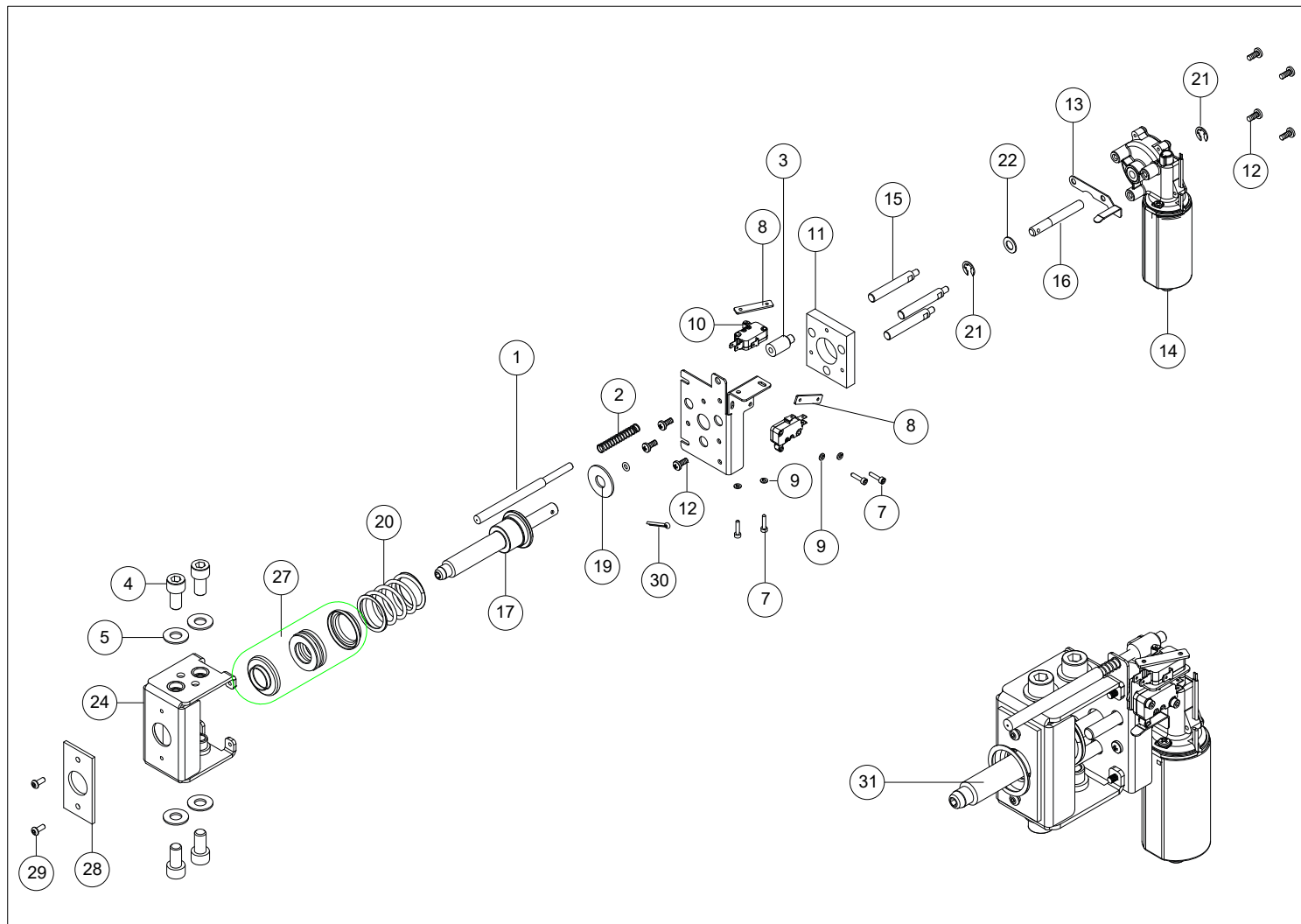
n. Code	Descrizione / Description	Description / Beschreibung	Descripción
31 51272004	GRANO EI M5X6 PI 12.9 GRUB SCREW EI M5X6 PI 12.9	VIS. EI M5X6 PI 12.9 GEWINDESTIFT EI M5X6 PI 12.9	TORN. EI M5X6 PI 12.9
32 97650042	ETCHED FOIL 17LT 115+115V ETCHED FOIL RESISTOR 17LT 115	ETCHED FOIL RÉSISTANCE 17LT 11 ETCHED FOIL WIDERSTAND 17LT 11	ETCHED FOIL RESISTENCIA 17LT 1
35 99950987	RACC PORTAFILTRO CON INTAGL FILTER CARRIER COUPL W/CUTTING	RACC.PORTE-FILTRE AVEC CRÉNEAU ANSCHL. FILTERHALTER MIT NUT	CONEX PORTAFILTRO CON CORTE
36 97290210	FILTRO ASS SERBATOIO TANK WATER FILTER	FILTRE EAU RÉSERVOIR FILTER FÜR WASSER BEHÄLTER	FILTRO AGUA DEPÓSITO
37 99950948	RACC. P.GOMMA DIR M G1/8 D7,9 M G1/8 D7.9 STR HOSE CONNECTR	RACC.P.-TUYAU DR.M G1/8 D7,9 GER. SCHL.ANSCHL. M G1/8 D7,9	CONEX PORTAG RECT M G1/8 D7,9
38 95509175	KIT RICAMBIO PT1000 PT100 SPAREPART KIT	KIT RECHANGE PT1000 ERSATZKIT PT100	KIT RECAMBIO PT1000
39 95509245	COLL. CALDAIA_MPX TUBO TELATO REINF. HOSE MPX_BOILER CONN.	COLL. CHAUD_MPX TUYAU BACHÉ BUND KESSEL_MPX SCHL M. GEWEB.	COL. CALDERA_MPX TUBO DE LIENZ
40 97668171	SONDA PT1000 D.4X50 (PT3) PT1000 D.4X50 (PT3) PROBE	SONDE PT1000 D.4X50 (PT3) PROBE PT1000 D.4X50 (PT3)	SONDA PT1000 D.4X50 (PT3)



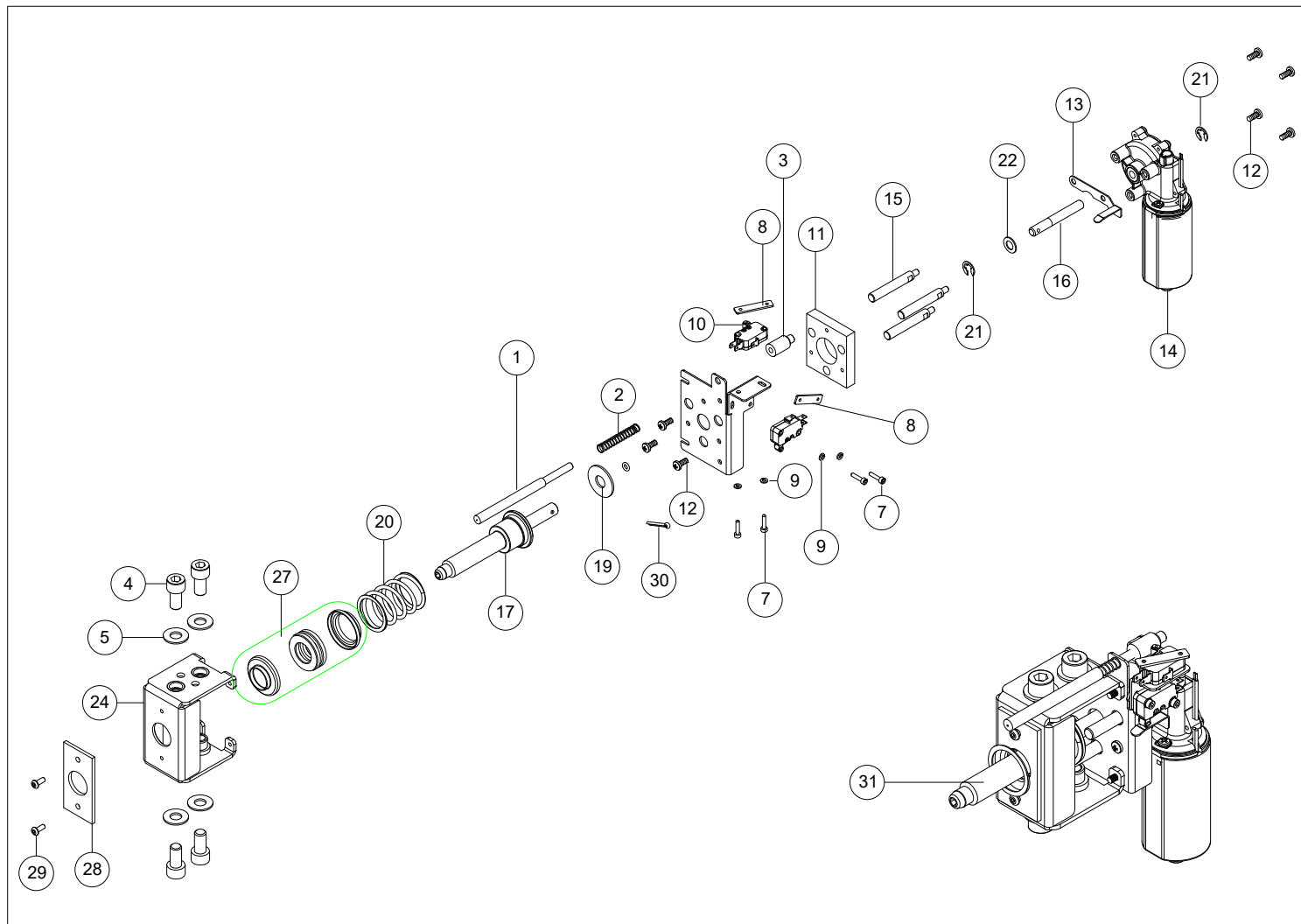
n. Code	Descrizione / Description	Description / Beschreibung	Descripción
1 99951894	PORTHOLE 17-22L PORTHOLE 17-22L	PORTE 17-22L PORTHOLE 17-22L	PUERTA 17-22L
2 99951523	FLANGIA FLANGIA	FLANGIA FLANGIA	FLANGIA
3 97400145	GUARNIZCALDAIA 40/HT-S BOILER GASKET 40/HT-S	JOINT CHAUDIERE 40/HT-S KESSEL DICHTUNG 40/HT-S	JUNTA CALDERA 40/HT-S
4 99950982	TRAVERSA CHIUSURA A VITE CROSS SCREW BAR	TRAVERSER BARRE VISSÉE KREUZ SCHRAUBE BAR	CRUZ TORNILLO BARRA
6 99951219	INSERTO SFERICO SPHERICAL INSERT	INSERT SPHERIQUE KUGELEINSATZ	INSERTO ESFERICO
7 51232089	VITE TCEI M8X16 8.8 M8X16 8.8 TCEI SCREW	VIS TCEI M8X16 8.8 SCHRAUBE TCEI M8X16 8.8	TORNILLO TCEI M8X16 8.8
9 97815262	MOLLA PER OBLO' WINDOW SPRING	RESSORT SPHERE FENSTERFEDER	RESORTE PARA VENTANILLA
10 51232535	NON FORNIBILE NON FORNIBILE	NON FORNIBILE NON FORNIBILE	NON FORNIBILE
11 53104015	ROND D8.4X16 S1.6 R40 WASHER 8.4X17 S 1.6 R40	RONDELLE 8.4X17 S 1.6 R40 BEILEGSCHIEBE 8.4X17 S 1.6	ARAND. D8,4X16 S1,6 R40
12 99951221	BOCCOLA BOCCOLA	BOCCOLA BOCCOLA	BOCCOLA
14 99950984	ANGOLARE ANGULAR BRACKET	SUPPORT ANGULAIRE ECKIGE KLAMMER	SOPORTE ANGULAR
15 99950002	VITE T.CIL.CROCE ZIGR.SOTT.4X8 CROSSHEAD SCREW M4X8 A2	VIS TC CRUCIFORME M4X8 A2 KR-SCHLITZSCHRAUBE ZK M4X8 A2	TORNILLO C/CIL CRUZ M4X8 A2
16 99950986	PERNO CERNIERA HINGE PIN	AXE DE CHARNIÈRE KUPPLUNGSSTAB	PASADOR DE LA BISAGRA
17 53104137	RONDELLE D'APPOGGIO TIPO SS SUPPORT WASHERS TYPE SS	APPUI RONDELLES TYPE SS UNTERSTÜTZUNG WASCHMASCHINEN T	ARANDELAS DE APOYO TIPO SS



n. Code	Descrizione / Description	Description / Beschreibung	Descripción
18 97200197	ANELLO ARRESTO ALBERO D=12 STOPPING SHAFT RING D=12	ARRET ARBRE BAGUE D=12 STOPPING RING WELLE D=12	DETENER EL EJE DE ANILLO D=12
19 99951044	SUPPORTO SPINTORE SUPPORT PUSHER	POUSSOIR DE SOUTIEN UNTERSTÜTZUNG-SCHIEBER	EMPUJADOR DE APOYO
20 99951043	SPINTORE PUSHER	POUSSOIR SCHIEBER	EMPUJADOR
21 97815199	MOLLA GUIDA CINGHIA BELT GUIDE SPRING	CEINTURE GUIDE RESSORT GÜRTEL-GUIDE-FRÜHLING	CORREA GUÍA DE PRIMAVERA
22 99950963	BOCCOLA TR 16X3 BUSHING TR 16X3	BAGUE TR 16X3 STECKHÜLSE-TR 16X3	BUJE TR 16X3
23 53107027	ROSETTA DI 26.1 DE 36.8 SP 2 SPECIAL WASHER ROSETTE DESIGN	ROSETTE RONDELLE SPÉCIALE DESI SPEZIELLE WASCHMASCHINE ROSETT	ARANDELA ESPECIAL ROSETA DISEÑ
24 55121015	ANELLO SEEGER X ALB D 25 RING SEEGER X ALB D 25	ANNEAU SEEGER X ALB D 25 SEEGER-RING FÜR WELLE D 25	ANILLO SEEGER X ALB D 25
25 97815244	MOLLA BOCCOLA SPRING BUSHING	BAGUE PRINTEMPS FRÜHLING-BUSHING	BUJE DE RESORTE
26 54302017	SPINA TUB ELAS D 4X12 ELASTIC HOSE PLUG D 4X12	GOUP. TUBE ELAST. D 4X12 SCHLAUCHSTECKER D 4X12	PASADOR TUB. ELÁS. D 4X12

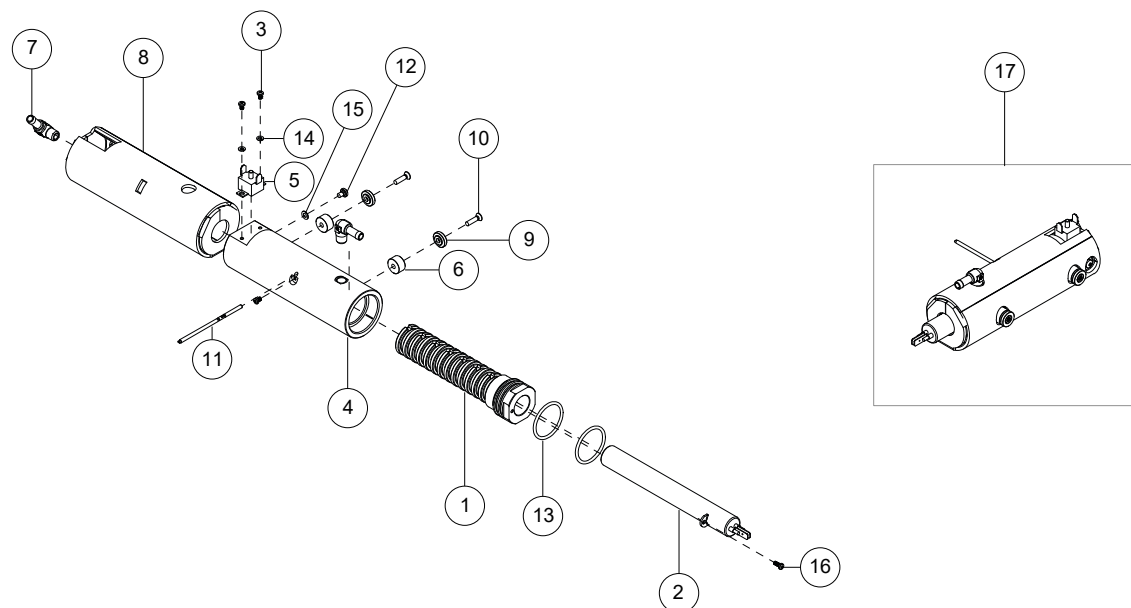


n. Code	Descrizione / Description	Description / Beschreibung	Descripción
1 99951400	PERNO MICRO PORTA PERNO MICRO PORTA	PERNO MICRO PORTA PERNO MICRO PORTA	PERNO MICRO PORTA
2 97815245	MOLLA MICRO MICRO SPRING	MICRO RESSORT MICRO-FRÜHLING	MICRO RESORTE
3 99951402	TESTINA TERMINALE PERNO AZION TESTINA TERMINALE PERNO AZION	TESTINA TERMINALE PERNO AZION TESTINA TERMINALE PERNO AZION	TESTINA TERMINALE PERNO AZION
4 51232019	VITE TCEI M10X20 8.8 SCREW TCEI M10X20 8.8	VIS TCEI M10X20 8.8 SCHRAUBE TCEI M10X20 8.8	TORNILLO TCEI M10X20 8.8
5 53104124	NON FORNIBILE NOT AVAILABLE	NON DISPONIBILE A LA VENDE NICHT LIEFERBAR	NO SUMINISTRABLE
6 99951547	LAMIERA SUPPORTO MICRO LAMIERA SUPPORTO MICRO	LAMIERA SUPPORTO MICRO LAMIERA SUPPORTO MICRO	LAMIERA SUPPORTO MICRO
7 51232130	VITE TCEI M3X14 8.8 M3X14 8.8 TCEI SCREW	VIS TCEI M3X14 8.8 SCHRAUBE TCEI M3X14 8.8	TORNILLO TCEI M3 X14 8.8
8 99951368	PIASTRINO RISC. MICRO MICRO HEATING PLATE	PLAQUE CHAUF. MICRO PLÄTTCHEN ERWÄRM. MIKRO	PLACA CALEF. MICRO
9 53113001	ROND ELAS GROWER X M3 ELAS GROWER WASHER X M3	RONDELLE ELAS GROWER X M3 BEILEGSCHIEBE ELAS GROWER X M3	ARANDELA ELAS GROWE X M3
10 97668137	MICROINTERRUTT.D3V-015-1C23 D3V-015-1C23 MICROSWITCH	MICROCONTACT D3V-015-1C23 MIKROSCHALTER D3V-015-1C23	MICROINTERRUPT D3V-015-1C23
11 99951401	PIASTRA MOTORIDUTTORE MOTOREDCER PLATE	MOTOREDCER PLATE MOTOREDCER PLATE	MOTOREDCER PLATE
12 51237028	VITE TC CROCE M4X10 4.8 M4X10 8.8 TC CROSS SCREW	VIS TC CROIX M4X10 8.8 M4X10 8.8 TC SCHRAUBE	TORNILLO TC CRUZ M4X10 8.8
13 99951548	LAMIERA ATTIVAZIONE MICRO LAMIERA ATTIVAZIONE MICRO	LAMIERA ATTIVAZIONE MICRO LAMIERA ATTIVAZIONE MICRO	LAMIERA ATTIVAZIONE MICRO
14 97217900	MOTORIDUTTORE GRUPPO CHIUSURA SEEFRID 634.019DCGM43T42 MOT	MOTEU.SEEFRID 634.019DCGM43T42 MOT. SEEFRID 634.019DCGM43T42	MOTOR SEEFRID 634.019DCGM43T42

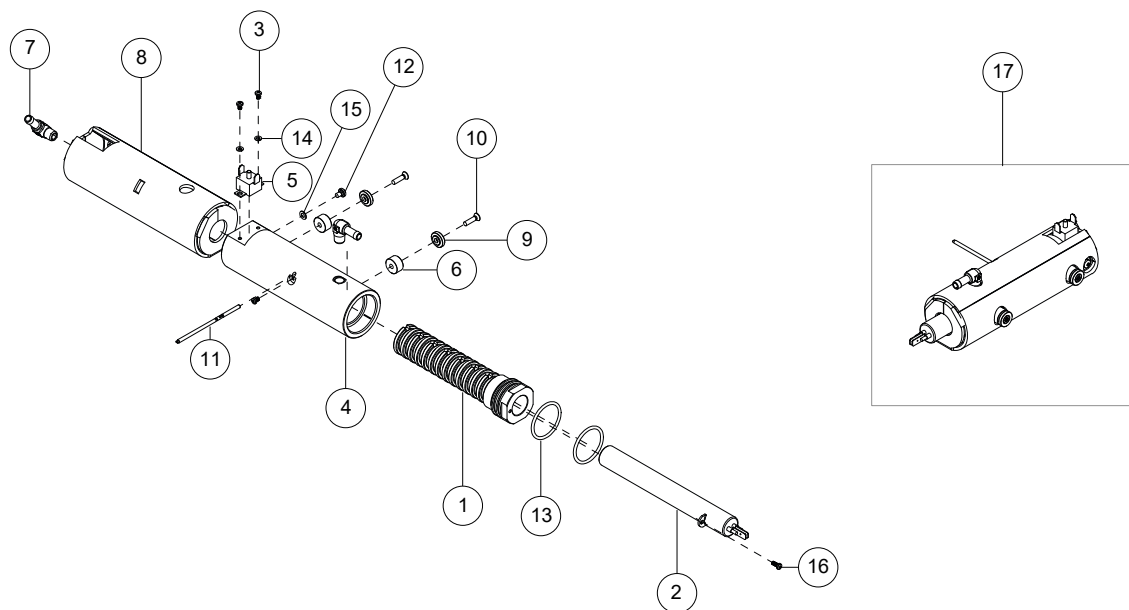


n. Code	Descrizione / Description	Description / Beschreibung	Descripción
15 99951398	GUIDA MOTORIDUTTORE MOTOREDCER GUIDE	GUIDE MOTOREDUCTEUR GETRIEBEMOTORENFUEHRUNG	GUIA MOTORREDUCTOR
16 99950975	ALBERO SCANALATO DIN 5481 SPLINED SHAFT DIN5481	ARBRE CANNELE' DIN5481 VERZAHNTE WELLE DIN5481	EJE ESTRIADO DIN5481
17 99951397	PERNO FILETTATO TR 16X3 16X3 TR THREADED PIN	PIVOT FILETAGE TR 16X3 GEWINDESTIFT TR 16X3	PERNO FILETE TR 16X3
19 99950966	ANELLO RING	ANNEAU RING	ANILLO
20 97815282	MOLLA SISTEMA DI AGGANCIO COUPLING SYSTEM SPRING	RESSORT SYSTEME D'ACCROCHAGE FEDER KUPPLUNGSSYSTEM	MUELLE SISTEMA DE ACOPLAMIENTO
21 55103004	ANELLO BENZIG RS7 RS7 BENZIG RING	ANNEAU BENZIG RS7 RS7 BENZIG RING	ANILLO BENZIN RS7
22 53113026	ROSETTA ELASTIC D=8 DIN137B ELASTIC WASHER D = 8 DIN137B	RONDELLE ÉLASTIQUE D = 8 DIN13 ELASTISCHE SCHEIBE D = 8 DIN13	ARANDELA ELÁSTICA D = 8 DIN137
23 97360800	OR 1,78x4,47 NBR 70 O RING 2018	JOINT OR 1,78X4,47 NBR 70 O-RING 2018	O ANILLO 2018
24 99951231	STAFFA SISTEMA CHIUSURA STAFFA SISTEMA CHIUSURA	STAFFA SISTEMA CHIUSURA STAFFA SISTEMA CHIUSURA	STAFFA SISTEMA CHIUSURA
27 95509151	ASSIEME RALLA SLEWING RING ASS.Y	GR.COURONNE D'ORIENTATION SCHEIBENGRUPPE	GR RANGUA
28 99951466	DISTANZIALE LATO CHIUSURA DISTANZIALE LATO CHIUSURA	DISTANZIALE LATO CHIUSURA DISTANZIALE LATO CHIUSURA	DISTANZIALE LATO CHIUSURA
29 51262070	VITE T/BOMB EI M4X10 INOX T/BOMB SCREW EI M4X10 INOX	VIS T.BOMBÉE EI M4X10 INOX LINSENKOPFSCHRAUBE EI M4X10 ED	TORNILLO C/ABOMB. EI M4X10 ACE
30 54601015	COPIGLIA INOX 3,2X20 3,2X20 INOX SPLIT PIN	GOUPILLE 3,2X20 INOX SPLINT EDELSTAHL 3,2X20	CHAVETA ACERO INOXIDABLE 3,2X2
31 95530817	ASS GRUPPO CHIUSURA A VITE SCREW CLOSING GROUP	GR. FERMETURE A VIS SCHRAUBENSCHLIESSGRUPPE	JUN.GR.CIERRE A TORNILLO

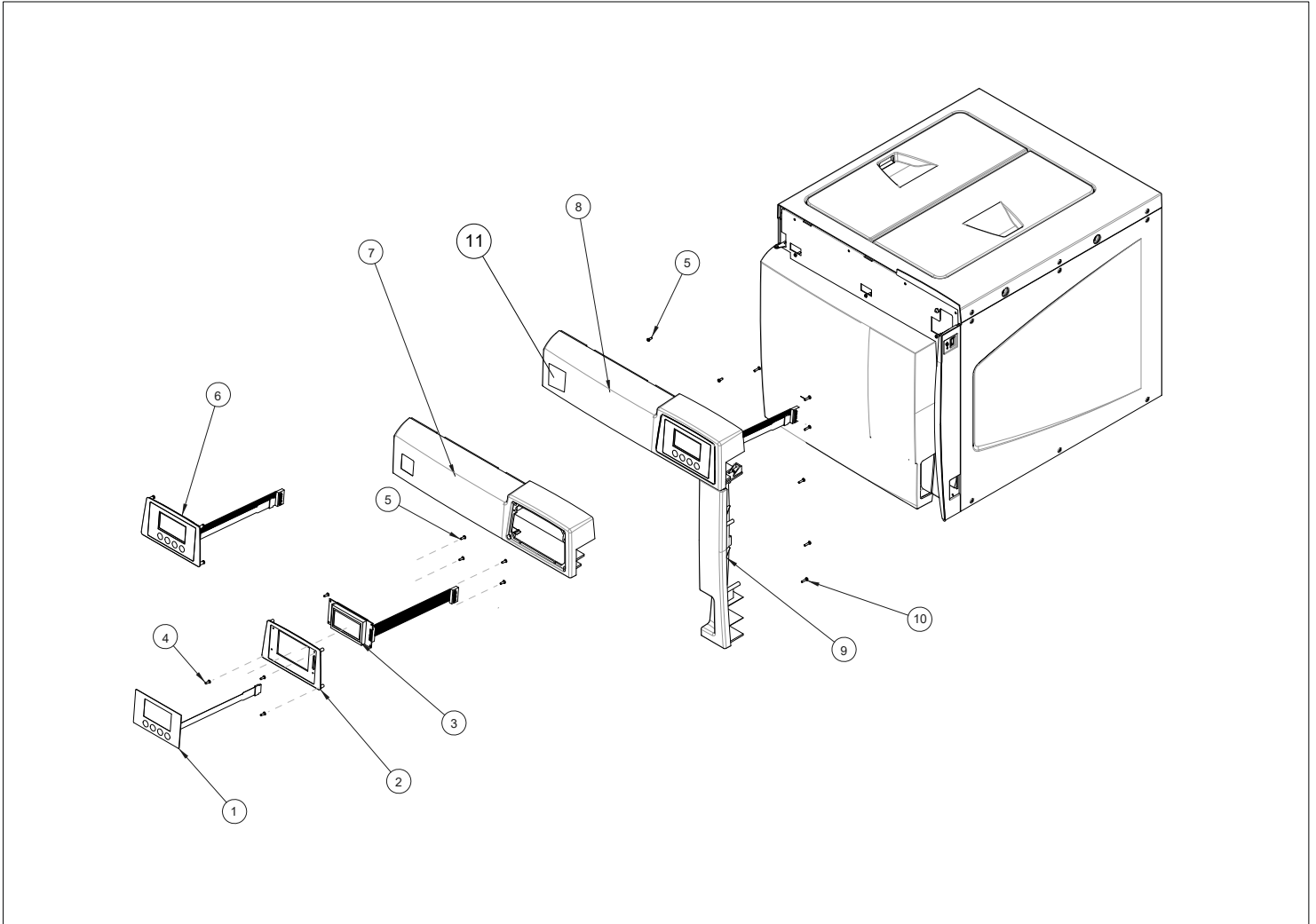




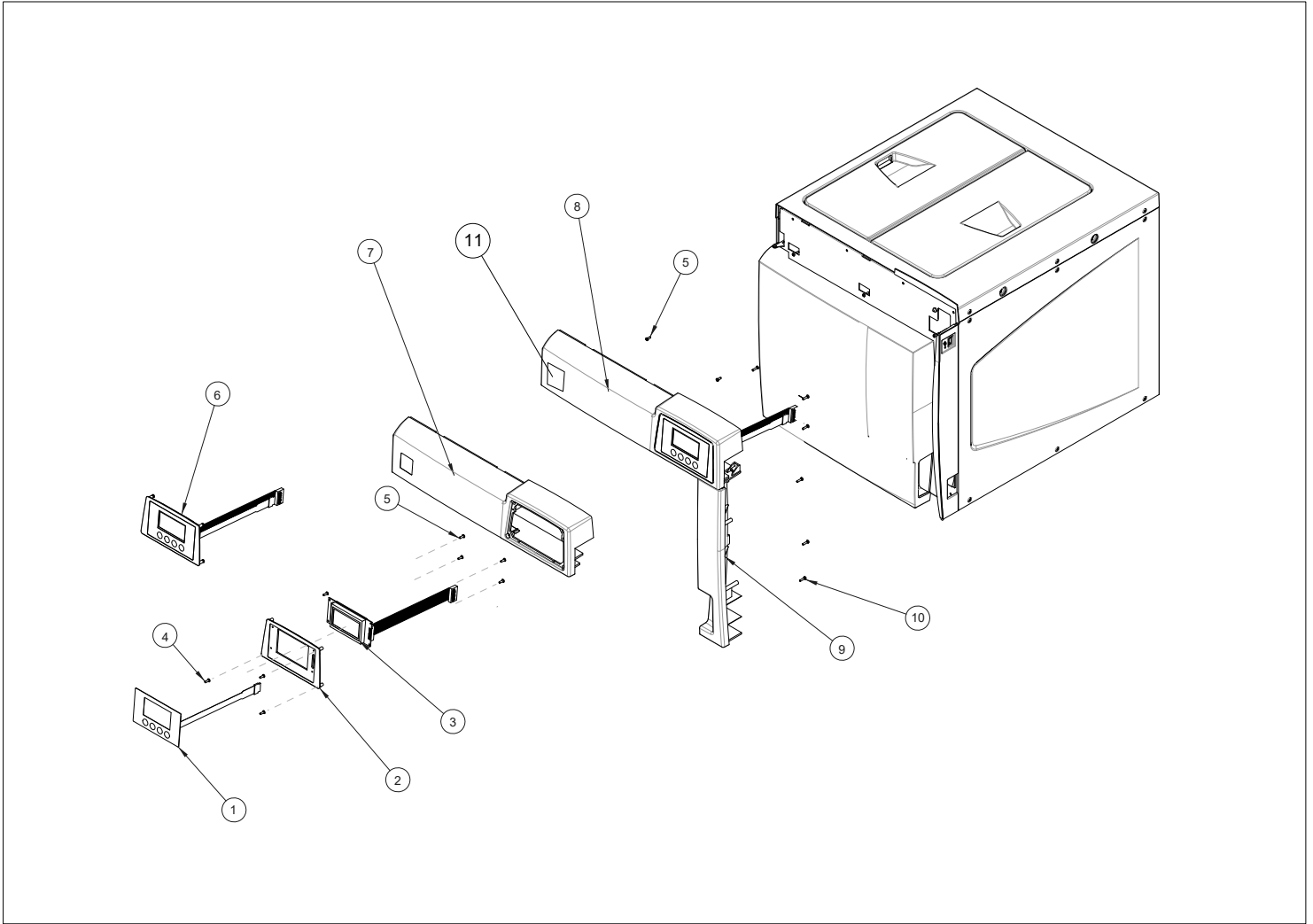
n. Code	Descrizione / Description	Description / Beschreibung	Descripción
1 99950992	CORPO INTERNO GENERATORE GENERATOR INSIDE BODY	CORPS INT. GÉNÉRATEUR INNENKÖRPER GENERATOR	CUERPO INTERNO GENERADOR
2 97650041	RESISTENZA 230V - 2000W RESISTANCE 230V - 200W	RESISTANCE 230V - 200W STANDFESTIGKEIT 230V - 200W	RESISTENCIA 230 V - 2000W
3 51237059	VITE TC CROCE M3X5 ZINC.BIANC SCREW TC CROCE M3X5 ZINC.BIANC	VIS TC CROCE M3X5 ZINC.BIANC KREUZKOPFSCHRAUBE M3X5 VERZINK	TORNILLO TC PHILLIPS M3X5 CINC
4 99950993	CORPO ESTERNO GENERATORE GENERATOR OUTSIDE BODY	CORPS EXT. GÉNÉRATEUR AUSSENKÖRPER GENERATOR	CUERPO ESTERNO GENERADOR
5 97730021	TERMOSTATO SICUREZZ 220°C NERO 220 DEGREES C SAFETY THERMO-SW	THERMOSTAT DE SÉCURITÉ 220°C SICHERHEITSTHERMOSTAT 220°C	TERMOSTATO SEGURIDAD 220°C
6 99950990	DISTANZIALE SPACER	ÉPAISSEUR ABSTANDSTÜCK	DISTANCIADOR
7 99950946	RACC. P.GOMMA ANG M G1/8 D7,9 M G1/8 D7.9 ANG HOSE CONNECTR	RACC.P.TUYAU COUDÉ M G1/8 D7,9 WINKELSCHL.ANSCHL. M G1/8 D7,9	CONEX PORTAG ANG M G1/8 D7,9
8 97901502	COPERTURA ISOLAN.GENERATORE GENERATOR INSULAT. COVER	CARTER ISOL.GÉNÉRATEUR ABDICHTUNG GENERATOR	COBERTURA AISLANTE GENERADOR
9 99950991	DISTANZIALE SPACER	ÉPAISSEUR ABSTANDSTÜCK	DISTANCIADOR
10 51247021	VITE TPS CROCE M4X16 A2 CSK CROSSHEAD SCR M4X16 A2	VIS TF PLATE CRUCIF.M4X16 A2 SENKSCHRAUBE M KREUZ. M4X16 A2	TORN C/PLANA AVELL CR M4X16 A2
11 97668139	SENSORE PT1000 GEN. VAPORE PT1000 STEAM GEN. SENSOR	CAPTEUR PT1000 GÉN. VAPEUR SENSOR PT1000 DAMPFGEN.	SENSOR PT1000 GEN VAPOR
12 99950001	VITE T.CIL.CROCE ZIGR.SOTT.4X6 SOCKET HEAD SCREW M4X6 A2	VIS TC CRUCIFORME M4X6 A2 KR-SCHLITZSCHRAUBE ZK M4X6 A2	TORNILLO C/CIL CRUZ M4X6 A2
13 97378400	OR 32,99X2,62 FKM 75SH OR PARKER P/N 2-125 V0747	JOINT TOR.PARKER P/N 2-125 V07 O-RING 32,99X2,62 FKM 75SH	OR 32,99X2,62 FKM 75SH
14 53113001	ROND ELAS GROWER X M3 ELAS GROWER WASHER X M3	RONDILLE ELAS GROWER X M3 BEILEGSCHIBE ELAS GROWER X M3	ARANDELA ELAS GROWE X M3



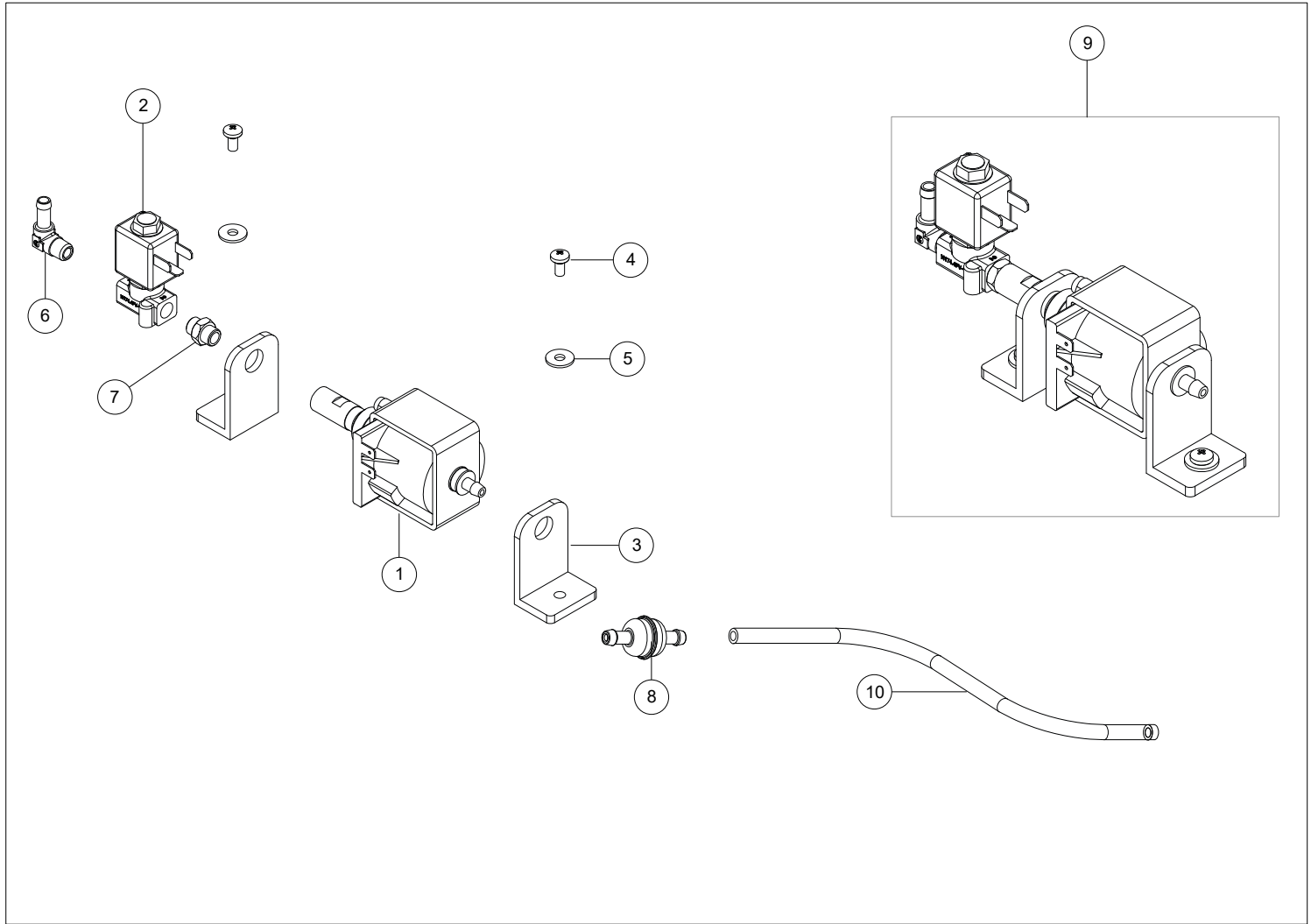
n. Code	Descrizione / Description	Description / Beschreibung	Descripción
15 53135028	ROND DENT EST D 4 Z.D.BIANCA INDENT.WASHER EST D 4 Z.D.WHIT	RONDELLE DENTELÉE EXT D 4 G.D. ZAHNSCHEIBE AUSS. D 4 Z.D.WEIS	ARAND. DENT. EXT. D 4 C.D. BLA
16 51237018	VITE TC CROCE M3X12 4.8 ZINC VITE TC CROCE M3X12 4.8 ZINC	VITE TC CROCE M3X12 4.8 ZINC VITE TC CROCE M3X12 4.8 ZINC	VITE TC CROCE M3X12 4.8 ZINC
17 95530803	ASS GENER. VAPORE 230V 50/60HZ STEAM GENERATOR GR. 230V	GR.GENERATEUR DE VAPEUR 230V DAMPFGENERATOR ASS	GR. GENERADOR DE VAPOR 230V
17 95530926	ASS GENER. VAPORE 120V 60HZ STEAM GENER. ASSY 120V 60HZ	ENS. GÉNÉR. VAPEUR 120V 60HZ ALLG. BAUGR. DAMPF 120V 60HZ	CONJ. GENER. VAPOR 120 V 60 HZ



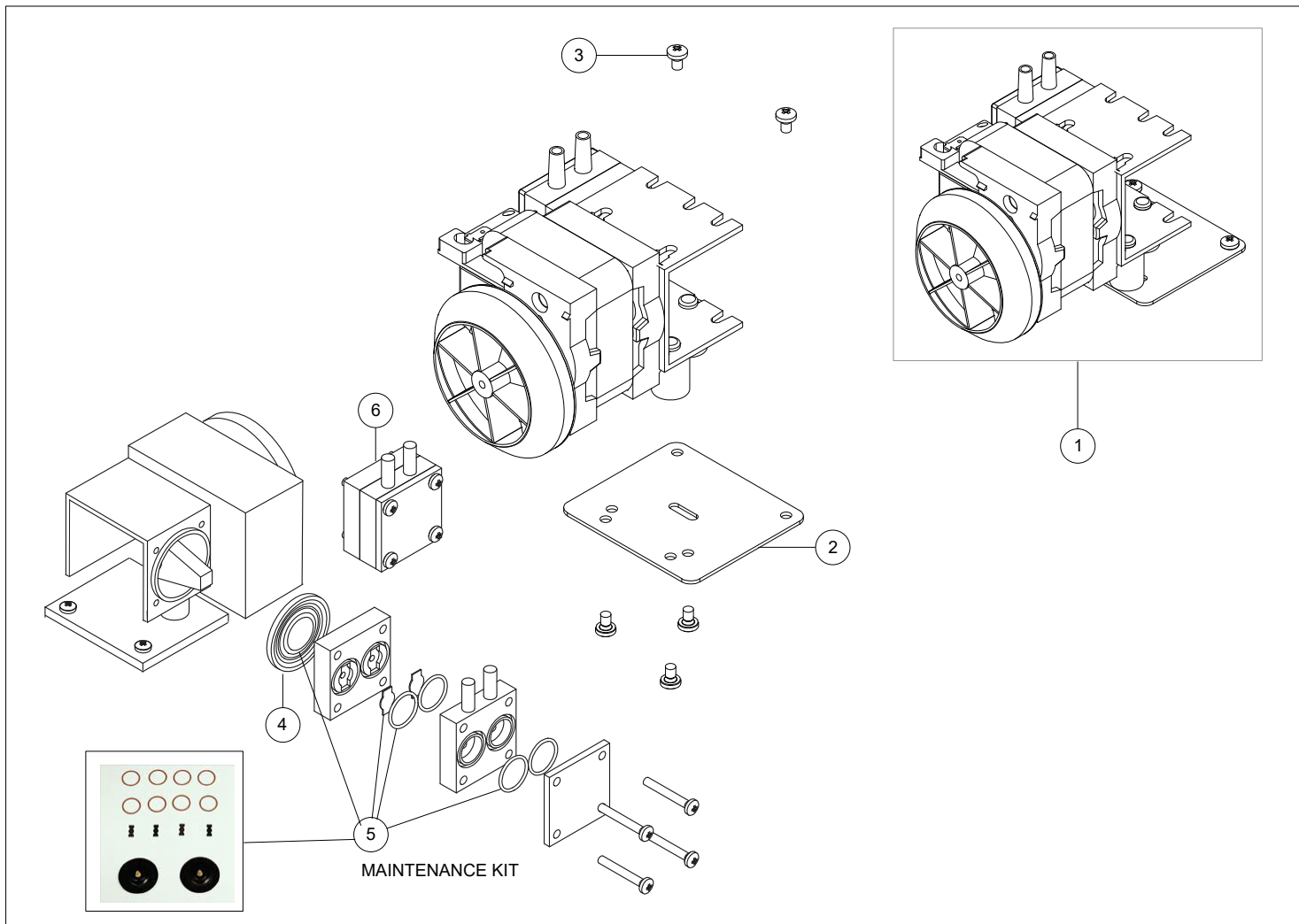
n. Code	Descrizione / Description	Description / Beschreibung	Descripción
1 97620343	PULSANTIERA CLASSIC MOCOM MOCOM CLASSIC KEYBOARD	CLAVIER CLASSIC MOCOM MOCOM CLASSIC DRUCKKNOPFSCHALT	BOTONERA CLASSIC MOCOM
2 97467129	CORNICE DISPLAY ENTRY ENTRY DISPLAY MOULDING	CADRE AFFICHEUR ENTRÉE/GAMME DISPLAYRAHMEN ENTRY	MARCO DISPLAY ENTRY LEVEL
3 97661272	LCD GRAFICO BLU CABLATO WIRED BLUE GRAPH. LCD	LCD GRAPHIQUE BLEU CÂBLÉ GRAFIK-LCD BLAU VERKABELT	LCD GRÁFICO AZUL CABLEADO
4 51537012	VITE A-P T/BOMB CRO D3SPX08 SCREW AUT TC CRO D3SPX8	VIS AUT TC CRO D3SPX8 SCHRAUBE AUT TC CRO D3SPX8	TORNILLO A-P T/BOM CRO D3SPX08
5 51437111	VITE AUT TC CRO #2.9X9.5 ST SCREW TC CRO #2.9X9.5	VIS AUTOT. TC CHRO #2,9X9,5 SELBSTS. KREUZKOPFSCHRAUBE #2.	TORNILLO AUT TC PHIL #2,9X9,5
6 95530430	ASS DISPLAY ENTRY ASS ENTRY DISPLAY	ASS AFFICHAGE ENTREE ASS EINTRAG ANZEIGEN	ASS PANTALLA ENTRADA
7 97467128	ASS FASCIA SUPERIORE UPPER COVER ASS	GR. CARTER SUPERIEUR GR. OBERE BLENDE	GR REGLETA SUPERIOR
8 95530441	ASS FASCIA SUPER BIANCA ASS CLASSIC UPPER WHITE STRIP	ASS CLASSIC BANDE BLANCHE SUPE ASS CLASSIC OBEREN WEISSEN STR	ASS CLASSIC FRANJA BLANCA SUPE
9 97467127	FASCIA LATERALE SIDE BAND	BANDE LATÉRALE SEITENANSICHT STIRNBAND	BANDA LATERAL
10 51467003	VITE AUT T/BOMB 3X12 A2 ROUND HEAD TAPPING SCR 3X12 A2	VIS AUTOT. TÊTE BOMBÉE 3X12 A2 LINSENKSCHEIDSCHRAUBE 3X12 A2	TORN AUT C/ABOMB 3X12 A2
11 97782591	ETICHETTA FRONT S CLASSIC-17 S CLASSIC-17 FRONT LABEL	ETIQUETTE FRONT. S CLASSIC-17 VORDERES S CLASSIC-17 SCHILD	PEGATINA FRONT. S CLASSIC-17
11 97782592	ETICHETTA FRONT S CLASSIC-22 S CLASSIC-22 FRONT LABEL	ETIQUETTE FRONT. S CLASSIC-22 VORDERES S CLASSIC-22 SCHILD	PEGATINA FRONT. S CLASSIC-22
11 97782593	ETICHETTA FRONT B CLASSIC-17 B CLASSIC-17 FRONT LABEL	ETIQUETTE FRONT.B CLASSIC-17 AUFKLEBER FRONT B CLASSIC-17	ETIQUETA FRONT.B CLASSIC-17
11 97782594	ETICHETTA FRONT B CLASSIC-22 B CLASSIC-22 FRONT LABEL	ETIQUETTE FRONT.B CLASSIC-22 AUFKLEBER FRONT B CLASSIC-22	ETIQUETA FRON.B CLASSIC-22



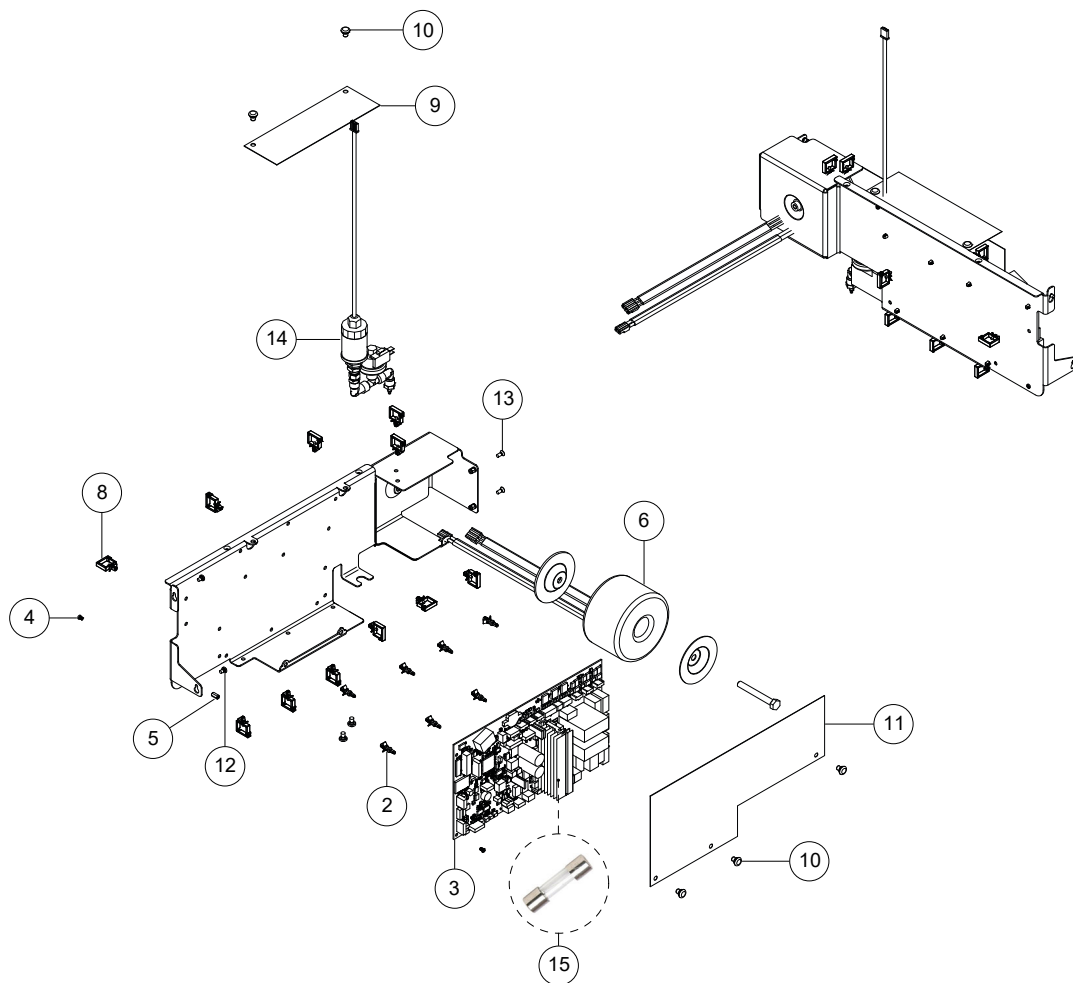
n. Code	Descrizione / Description	Description / Beschreibung	Descripción
11 97782595	ETICHETTA FRONT B CLASSIC-28 B CLASSIC-28 FRONT LABEL	ETIQUETTE FRONT.B CLASSIC-28 AUFKLEBER FRONT B CLASSIC-28	ETIQUETA FRONT.B CLASSIC-28



n. Code	Descrizione / Description	Description / Beschreibung	Descripción
1 97740151	POMPA VIBRAZ 24V-48W VIBRAT. PUMP 24V-48W	POMPE VIBRAT. 24V-48W VIBRATIONS PumPE 24V-48W	BOMBA VIBRAC 24V-48W
2 97720193	EV 2 VIE NC D=2.5 24VCC G1/8 2-WAY SV NC D=2.5 24VDC G1/8	EV 2 VOIES NF D=2.5 24VCC G1/8 EV 2 WEGE NC D=2.5 24VCC G1/8	EV 2 VIAS NC D=2.5 24VCC G1/8
3 97440043	SUPPORTO POMPA VIBRO VIBRO PUMP SUPPORT	SUPPORT DE POMPE DE VIBRO VIBRO-UNTERSTÜTZUNG FÜR FEUERL	VIBRO BOMBA SOPORTE
4 99950003	VITE T.CIL.CROCE ZIGR.SOT.5X10 CROSSHEAD SCREW M5X10 A2	VIS TC CRUCIFORME M5X10 A2 KR-SCHLITZSCHRAUBE ZK M5X10 A2	TORNILLO C/CIL CRUZ M5X10 A2
5 53104107	ROND D 6.6X18 S=2 ZINC WASHER D 6.6X18	RONDELLE D 6.6X18 SCHEIBE D 6.6X18	ARAND D 6.6X18
6 99950946	RACC. P.GOMMA ANG M G1/8 D7,9 M G1/8 D7.9 ANG HOSE CONNECTR	RACC.P.TUYAU COUDÉ M G1/8 D7,9 WINKELSCHL.ANSCHL. M G1/8 D7,9	CONEX PORTAG ANG M G1/8 D7,9
7 97960055	RACC NIPPLIO G1/8 L17 NIPPLE G1/8 L17	RACCORD NIPPLE G1/8 L17 NIPPELANSCHLUSS G1/8 L17	UNION NIPLE G1/8 L17
8 97290166	FILTRO ACQUA WATER FILTER	FILTRE A EAU WASSERFILTER	FILTRO AGUA
9 95530397	ASS POMPA VIBRO VIBRO PUMP ASS.	GR. POMPE VIBRO GR. PumPE VIBRO	GR BOMBA VIBRO
10 97340129	TUBO SILICONE 6X10 SILICONE PIPE 6 X 10	TUYAU SILICONE 6X10 SILIKONROHR 6X10	TUBO SILICONA 6X10

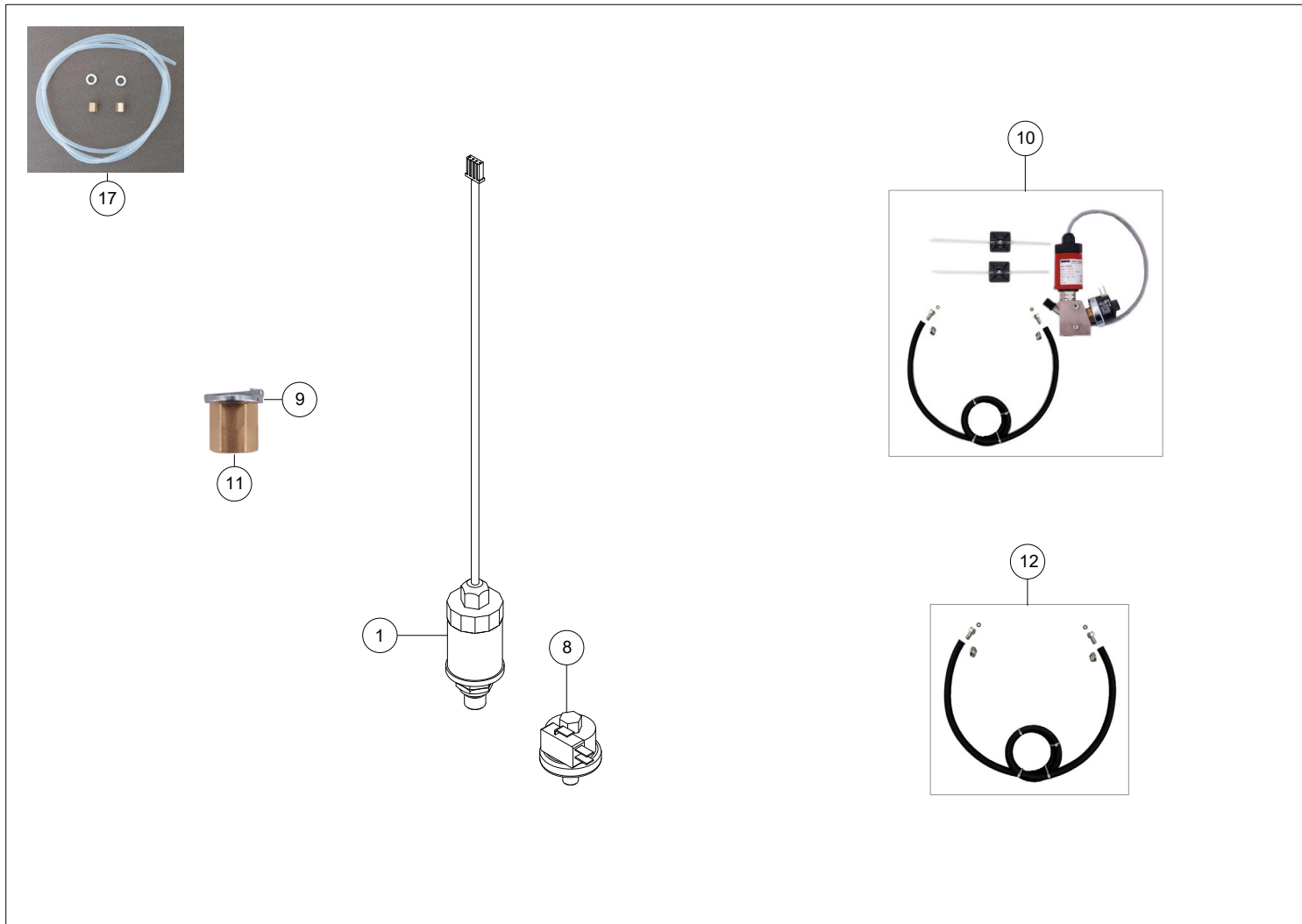


n. Code	Descrizione / Description	Description / Beschreibung	Descripción
1 95530872	ASS POMPA VUOTO H5 50 HZ H5 50 HZ VACUUM PUMP ASSY	POMPE A VIDE H5 50 HZ H5 50 HZ VAKUUMPUMPE KIT	CONJ BOMBA VACIO H5 50 HZ
2 99951474	PIASTRA FISSAGGIO POMPE PUMPS FIXING PLATE	PLAQUE FIX. POMPE BEFESTIGUNGSPLATTE PUMPEN	PLACA FIJ. BOMBA
3 99950001	VITE T.CIL.CROCE ZIGR.SOTT.4X6 SOCKET HEAD SCREW M4X6 A2	VIS TC CRUCIFORME M4X6 A2 KR-SCHLITZSCHRAUBE ZK M4X6 A2	TORNILLO C/CIL CRUZ M4X6 A2
4 97400136	MEMBRAN PER POMPA H-5/P-3 DIAPHRAGM FOR PUMP	MEMBRANE POUR POMPE MEMBRAN FÜR PUMPE	MEMBRANA PARA BOMBA
5 95509213	MANUTEN. COMPLETA POMPA H5P3 H5P3 PUMP COMPL.MAINTEN. KIT	KIT ENTRETIEN COMPL.POMPE H5P3 H5P3 PUMPE KOMPL.WARTUNGSKIT	KIT MANTEN.COMPL.BOMBA H5P3
6 97740166	TESTATA COMPL POMPA H-5/P-3 COMPLETE HEAD FOR PUMP	TETE COMPLETE POUR POMPE KOPFTEIL KOMPL. FÜR PUMPE	CABEZAL COMPL PARA BOMBA

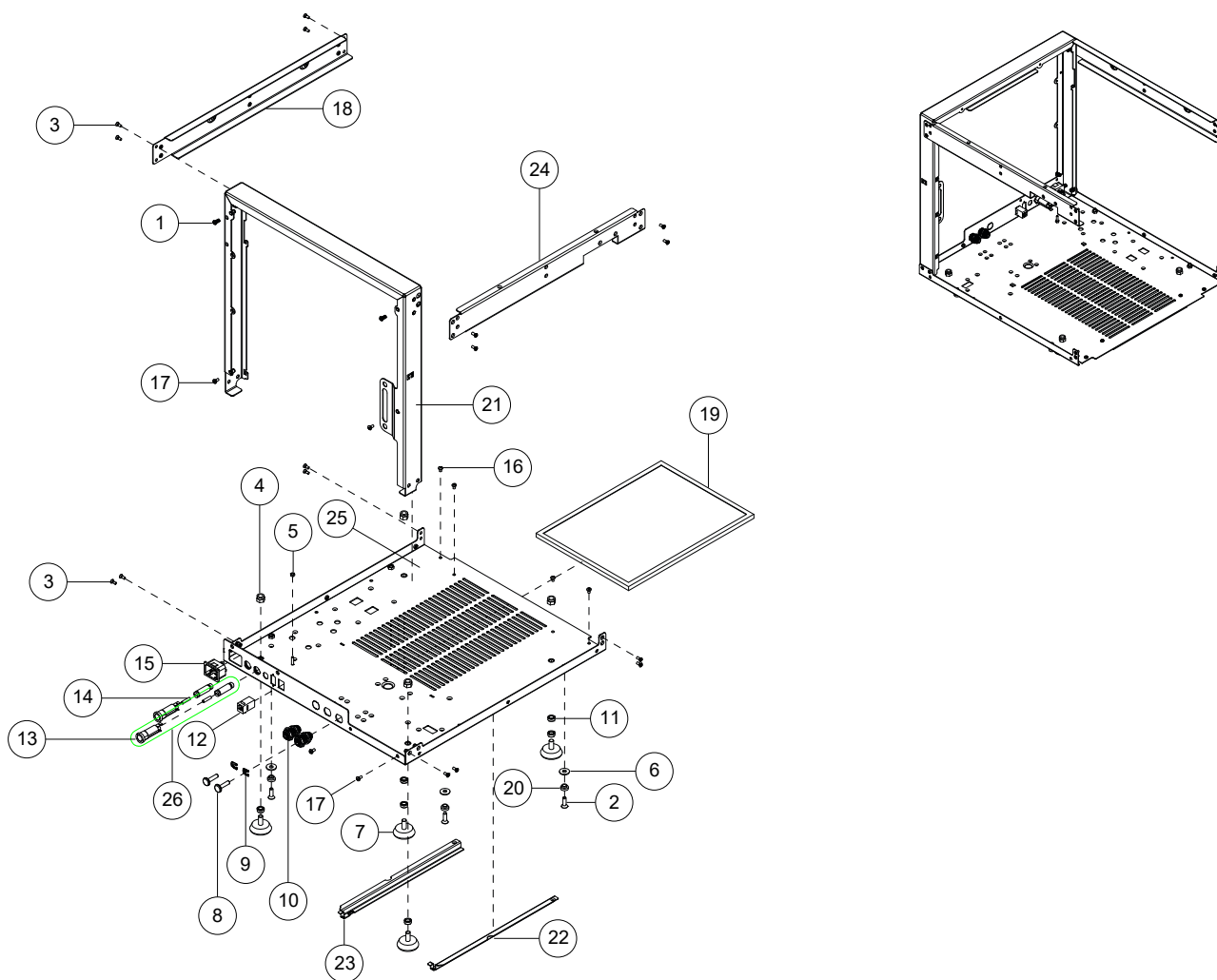


n. Code	Descrizione / Description	Description / Beschreibung	Descripción
2 97560149	SUPPORTO SCHEDA H9,5 CIRCUIT SUPPORT H9,5	SUPPORT PLATINE H9,5 PLATINE ABSTÜTZUNG H9,5	SOPORTE TARJ H9,5
3 97668177	SCHEDA DI PROCESSO AUTOCLAVE PROCESS BOARD	CARTE PROCESSUS AUTOCLAVE AUTOKLAVEN PROZESS-PLATINE	TARJETA PROCESO AUTOCLAVE
4 51237059	VITE TC CROCE M3X5 ZINC.BIANC SCREW TC CROCE M3X5 ZINC.BIANC	VIS TC CROCE M3X5 ZINC.BIANC KREUZKOPFSCHRAUBE M3X5 VERZINK	TORNILLO TC PHILLIPS M3X5 CINC
5 97560011	DISTANZ FF M3X10 SPACER FF M3X10	ENTRETOISE FF M3X10 DISTANZSTÜCK FF M3X10	DISTANC FF M3X10
6 97750185	TRASFORMATORE 0-120/220-240V TRANS.115/230V 220VA 50/60HZ	TRANSFORMATEUR 0-120/220-240V TRANSF.115/230V 220VA 50/60HZ	TRANS 115/230V 220VA 50/60HZ
7 51212219	VITE TE M8X65 ZINC 8.8 HEX HEAD SCREW M8X65 A2	VIS TH M8X65 A2 SECHSKANTSCHRAUBE M8X65 A2	TORN C/HEX M8X65 A2
8 97550103	FERMACAVO CABLE RETAINER	SERRE CABLE KABELSCHELLE	FIJACABLE
9 97400181	PROTEZIONE SCHEDA SUPERIORE TOP CARD PROTECTION	PROTECTION DE LA CARTE DU DESS OBERSTE KARTENSCHUTZ	PROTECCIÓN SUPERIOR DE LA TARJ
10 97550025	RIVETTO AUTOBLOCCANTE PLAST. CLIP	RIVET AUTOBLOQUANT SELBSTSICHERNDE NIETE	REMACHE AUTOBLOCANTE
11 97400182	PROTEZIONE SCHEDA INFERIORE LOWER BOARD PROTECT.	PROTECTION CARTE INFÉRIEURE UNTERE KARTENSCHUTZ	PROTECCIÓN INFERIOR DE LA TARJ
12 99950001	VITE T.CIL.CROCE ZIGR.SOTT.4X6 SOCKET HEAD SCREW M4X6 A2	VIS TC CRUCIFORME M4X6 A2 KR-SCHLITZSCHRAUBE ZK M4X6 A2	TORNILLO C/CIL CRUZ M4X6 A2
13 51247018	VITE TPS CROCE M4X10 A2 CSK CROSSHEAD SCR M4X10 A2	VIS TF PLATE CRUCIFOR.M4X10 A2 SENKSCHRAUBE M KREUZ. M4X10 A2	TORN C/PLANA AVELL CR M4X10 A2
14	Assieme trasduttore e pressostato Transducer and pressure switch assembly	Ensemble transducteur et pressostat Einheit Geber und Druckwächter	Conjunto transductor y presostato
15 FE2330315	FUSIBILE 5X20 RITAR.D.3,15 A DELAYED FUSE 5X20 3,15A	FUSIBILE RETARD. 5X20 3,15A TRÄGE SICHERUNG 5X20 3,15 A	FUSIBLE RETRAS. 5X20 3,15A

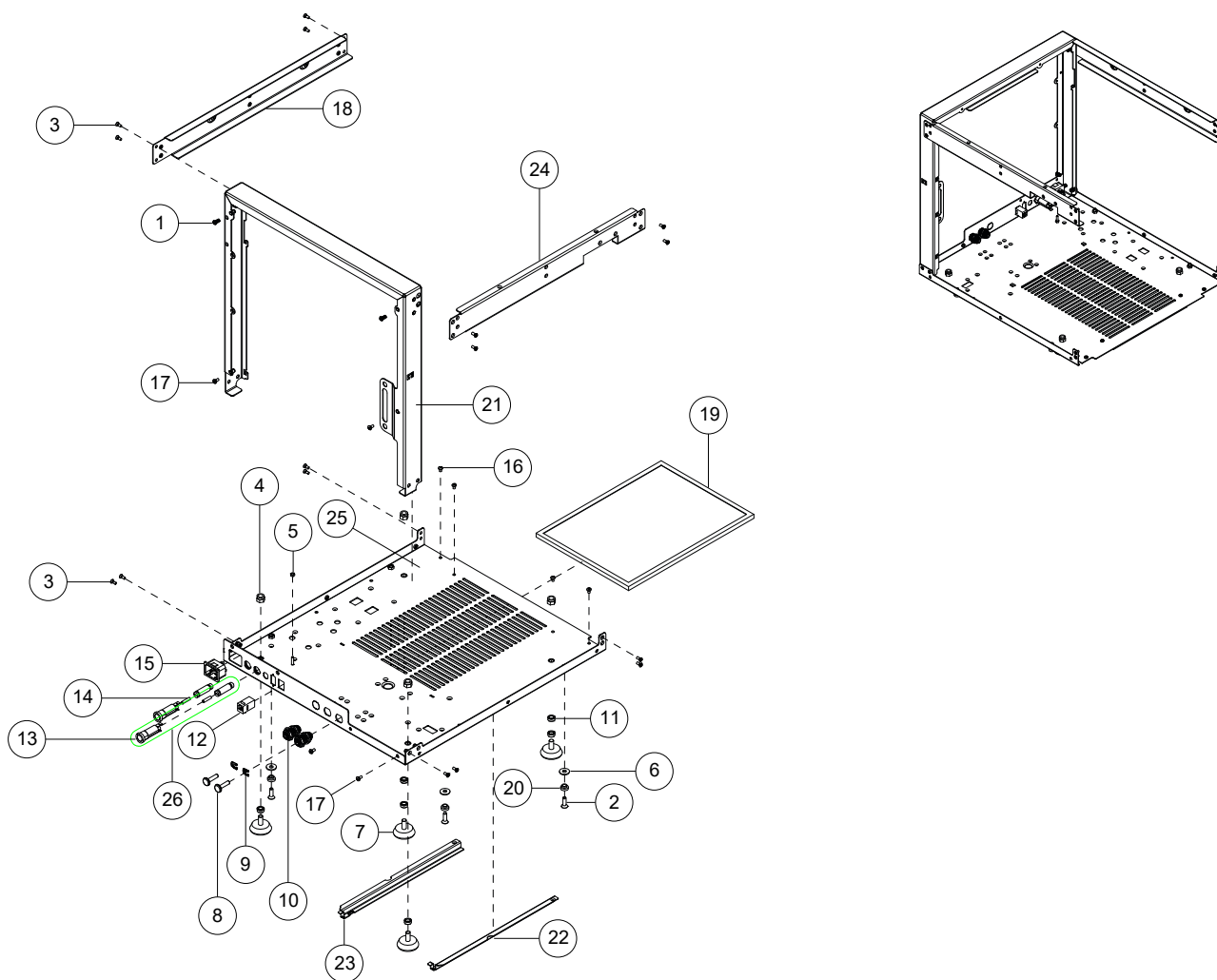




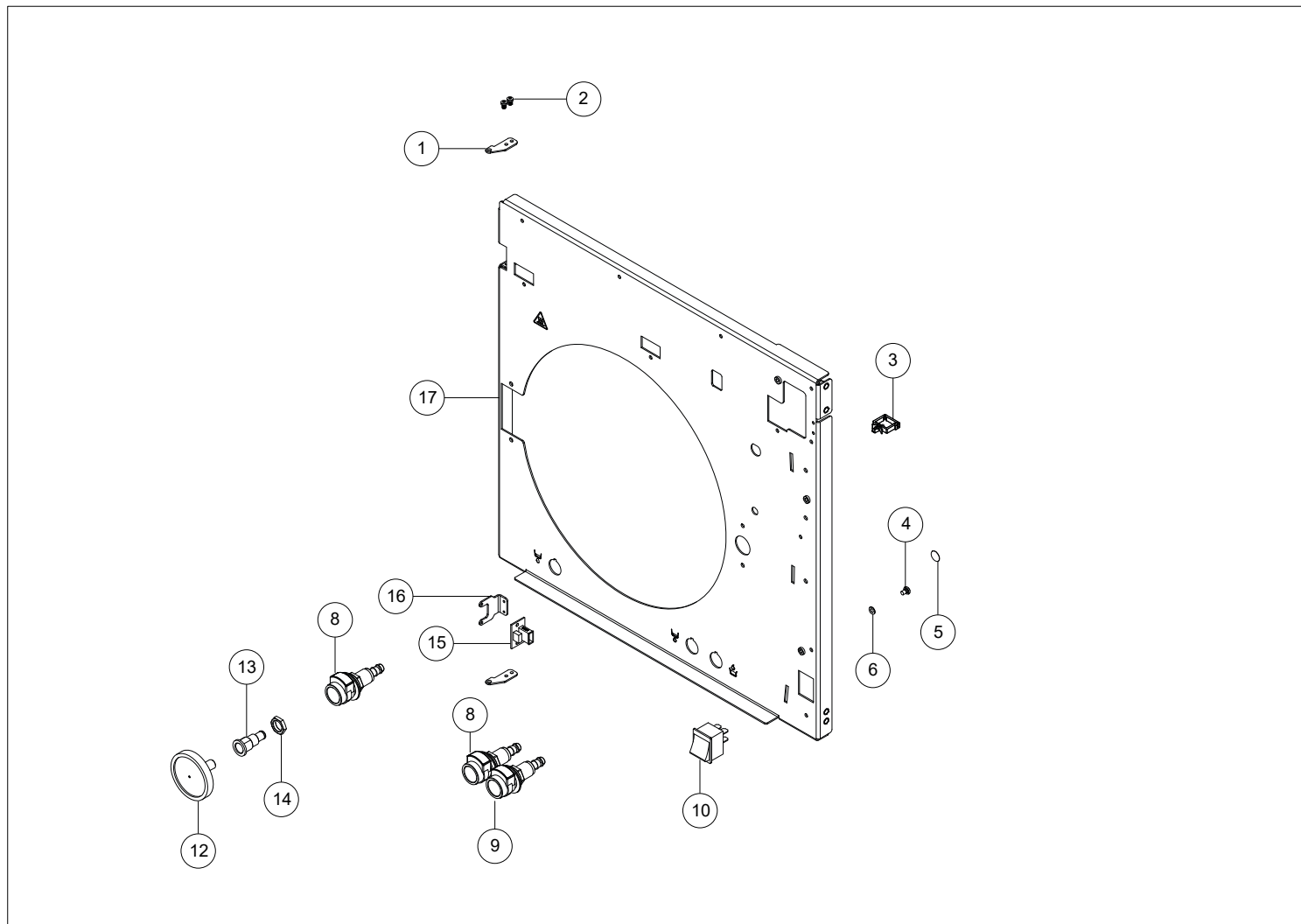
n. Code	Descrizione / Description	Description / Beschreibung	Descripción
1 95509231	TRASDUTTORE + O-RING TRANSDUCER + O-RING	TRANSDUCTEUR + O-RING GEBER + O-RING	TRANSDUCTOR + O-RING
8 95509230	PRESSOSTATO + O-RING PRESSURE SWITCH + O-RING	PRESSOSTAT + O-RING DRUCKWÄCHTER + O-RING	PRESOSTATO + O-RING
9 53113004	ROND ELAS GROWER X M6 M6 GROWER ELAST.WASHER	RONDELLE ELAST.GROWER X M6 M6 GROWER ELAST.SCHEIBE	ARAND ELÁS. GROWER X M6
10 95509232	GR.TRASDUTTORE+PRESSOSTATO TRANSDUCER+PRESSURE SWITCH GR.	GR.TRANSDUCT+PRESSOSTATE GR. GEBER+DRUCKWÄCHTER	GR.TRANSDUCT+PRESOSTATO
11 99924940	GHIERA PER TUBO PTFE 2,7X4MM PTFE 2,7X4MM TUBE FERRULE	BAGUE POUR TUYAU PTFE 2,7X4MM NUTMUT. F. PTFE-SCHL. 2,7X4 MM	CASQ PARA TUBO PTFE 2,7X4MM
12 95509245	COLL. CALDAIA_MPX TUBO TELATO REINF. HOSE MPX_BOILER CONN.	COLL. CHAUD_MPX TUYAU BACHÉ BUND KESSEL_MPX SCHL M. GEWEB.	COL. CALDERA_MPX TUBO DE LIENZ
17 95509238	GR.TUBO PTFE.GROWER.GHIERA RING NUT GROWER PTFE TUBE UNIT	GR. TUYAU PTFE. GROWER BAGUE GR.ROHR PTFE.ERZEUGER.RING	GR. TUBO PTFE. GROWER ANILLO



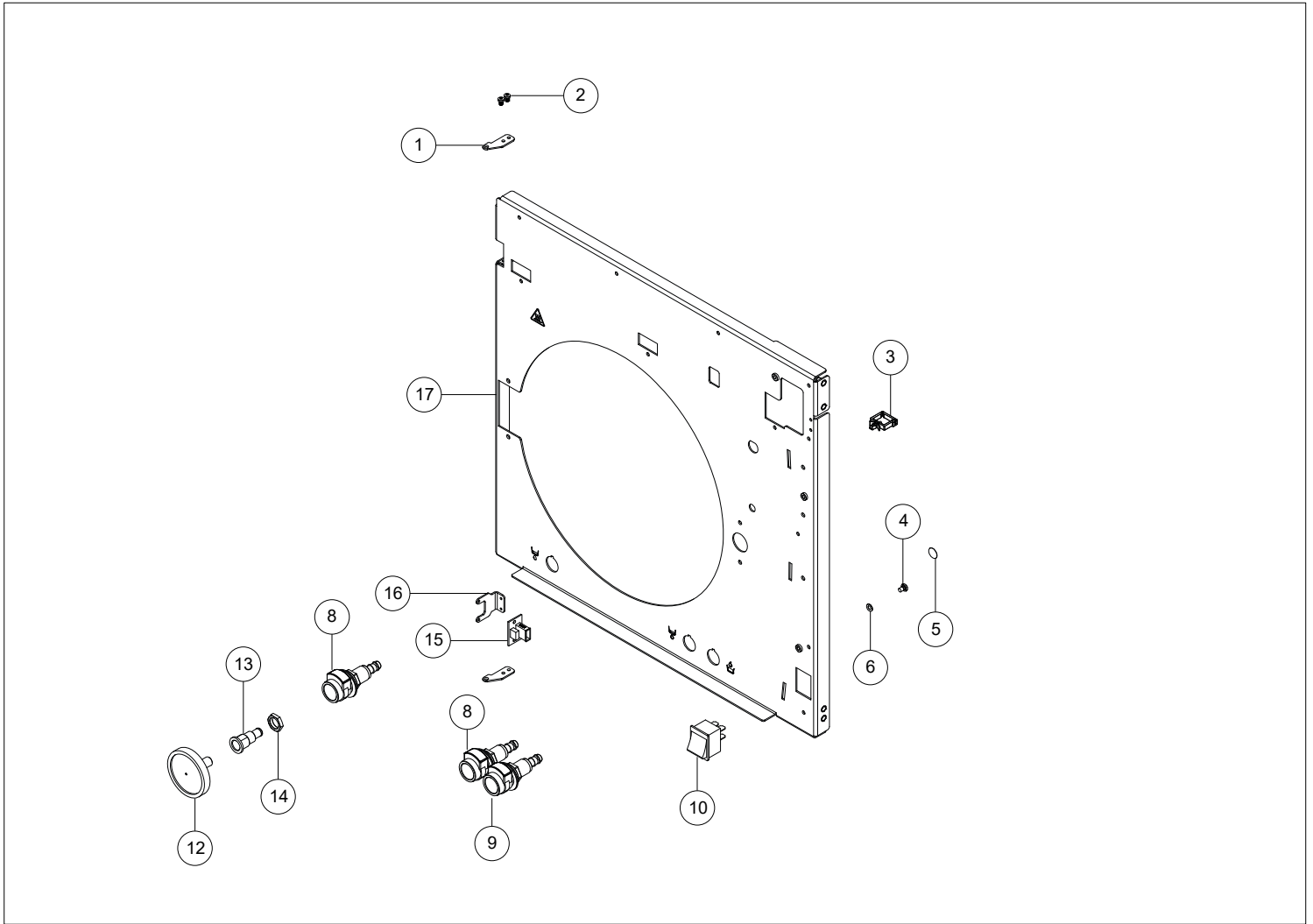
n. Code	Descrizione / Description	Description / Beschreibung	Descripción
1 51237028	VITE TC CROCE M4X10 4.8 M4X10 8.8 TC CROSS SCREW	VIS TC CROIX M4X10 8.8 M4X10 8.8 TC SCHRAUBE	TORNILLO TC CRUZ M4X10 8.8
2 51242012	VITE TPSEI M6X20 10.9 TPSEI M6X20 10.9 SCREW	VIS TPSEI M6X20 10.9 SCHRAUBE TPSEI M6X20 10.9	TORNILLO TPSEI M6X20 10.9
3 51247018	VITE TPS CROCE M4X10 A2 CSK CROSSHEAD SCR M4X10 A2	VIS TF PLATE CRUCIFOR.M4X10 A2 SENKSCHRAUBE M KREUZ. M4X10 A2	TORN C/PLANA AVELL CR M4X10 A2
4 52210014	DADO M8 ALTO 6S ZINC AUTOBLOCC SELF LOCK.HIGH ZINC NUT M8 6S	ECROU M8 HAUT 6S ZINC AUTOB. VERZ.H.SELBSTSIC.MUTTER M8 6S	TUERCA AUTOB M8 ALTA 6S ZINC
5 52220005	DADO M4 MEDIO 6S M4 6S NUT MEDIUM SIZE	ECROU M4 MOYEN 6S MUTTER M4 6S	DADO M4 MEDIO 6 S
6 53104107	ROND D 6.6X18 S=2 ZINC WASHER D 6.6X18	RONDELLE D 6.6X18 SCHEIBE D 6.6X18	ARAND D 6.6X18
7 97420246	PIEDE FISSO NYLON D40 M8X32 Z NYLON D40 M8X32 Z FIXED FOOT	PIED FIXE NYLON D40 M8X32 Z NYLON D40 M8X32 Z FIXIERT FUSS	PIE FIJO NYLON D40 M8X32 Z
8 97420133	TAPPO1/4 1/4 PP0808W JOHN GUEST PLUG	BOUCHON1/4 PP0808W JOHN GUEST VERSCHL 1/4 PP0808W JOHN GUEST	TAPÓN 1/4 PP0808W JOHN GUEST
9 97550086	CLIP BLOCCA PINZETTA 1/4" 1/4" PINCERS BLOCKING CLIP	CLIP BLOC PINCETTE 1/4" SAFETY CLIP -(THERMOPL.-POLYURE	CLIP BLOQUE PINZA 1/4"
10 95509195	GRUPPO RACC. PASSAPARETE 1/4 1/4 PASS THROUGH JUNCTION GR.	GR.RACC.PASSE-PAROIS 1/4 1/4 WAND ÜBERSCH. VERB. GR.	GR. CONEXION PASA PARED 1/4
11 97560103	DISTANZIALE IN PLASTIC PA66 PA66 PLASTIC SPACER	ENTRET. EN PLASTIQUE PA66 Distanzstück aus Kunststoff PA	DISTANCIAL DE PLASTICO PA66
12 97560151	PASSAPARETE RJ45 CAT5E BULKHEAD RJ45 CAT5E	PASSE PAROIS RJ45 CAT5E SCHOTT RJ45 CAT5E	PASAPARED RJ45 CAT5E
13 97760051	PORTAFUSIBILE 6,3X32 FUSE BOX 6,3X32	PORTE FUSIBLE 6,3X32 6,3X32 SICHERUNGSHALTER	PORTA FUSIBLE 6,3X32
14 97760053	FUSIBILE 6,3X32 T15 A FUSE 6,3X32 T15 A	FUSIBLE 6,3X32 T15 A 6,3X32 T15 A SICHERUNG	FUSIBLE 6,3X32 T15 A



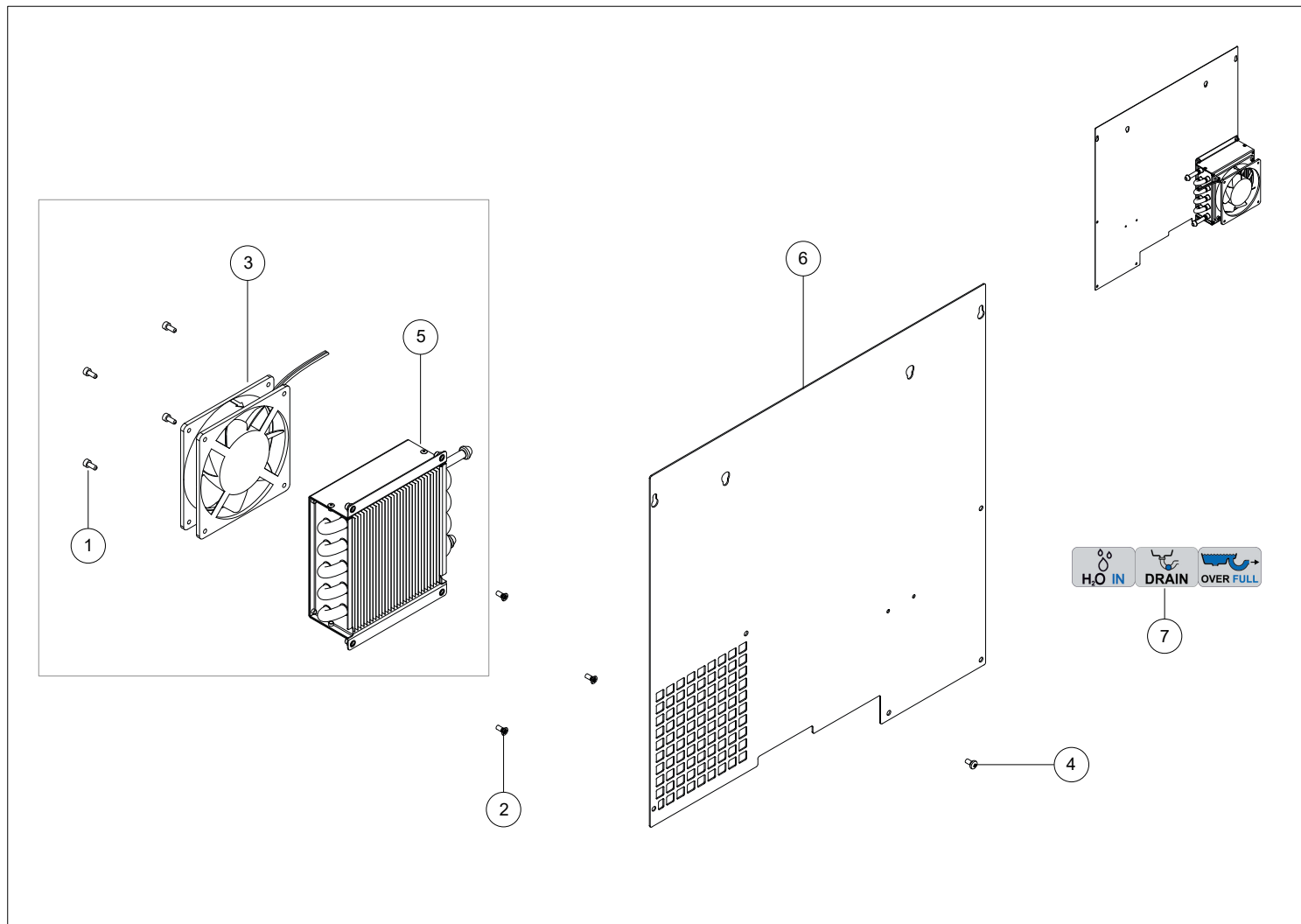
n. Code	Descrizione / Description	Description / Beschreibung	Descripción
15 97940114	VASCHETTA ALIMENTAZ IEC C20 IEC C20 SUPPLY TANK	BAC ALIMENTATION IEC C20 STROMANSCHLUSS IEC C20	CUBETA ALIM IEC C20
16 99950001	VITE T.CIL.CROCE ZIGR.SOTT.4X6 SOCKET HEAD SCREW M4X6 A2	VIS TC CRUCIFORME M4X6 A2 KR-SCHLITZSCHRAUBE ZK M4X6 A2	TORNILLO C/CIL CRUZ M4X6 A2
17 99950002	VITE T.CIL.CROCE ZIGR.SOTT.4X8 CROSSHEAD SCREW M4X8 A2	VIS TC CRUCIFORME M4X8 A2 KR-SCHLITZSCHRAUBE ZK M4X8 A2	TORNILLO C/CIL CRUZ M4X8 A2
18 99950954	TRAVERSA DX RIGHT CROSS BAR	TRAVERSE DROITE RICHTIGE CROSS BAR	BARRA TRANSVERSAL DERECHA
19 99951019	FILTRO ANTIPOLVERE ANTI DUST FILTER	FILTRE ANTI-POUSSIÈRE STAUBSCHUTZFILTER	FILTRO ANTIPOLVO
20 99951064	BOCCOLA AGGANCIAMENTO CINGHIA STRAP CONNECTION BUSH	DOUILLE FIXATION COURROIE BUCHSE RIEMENKOPPLUNG	COJINETE FIJACION BANDA
21 99951273	PORTALE PORTALE	PORTALE PORTALE	PORTALE
22 99951279	GUIDA SX FILTRO ANTIPOLVERE DUSTPROOF FILTER LEFT RUNNER	GUIDE GAUCHE FILTRE ANTIPOUS. FÜHRUNG LINKS STAUBSCHUTZFILTE	GUIA IZQ. FILTRO ANTIPOLVO
23 99951280	GUIDA DX FILTRO ANTIPOLVERE DUSTPROOF FILTER RIGHT RUNNER	GUIDE DROIT FILTRE ANTIPOUS. FÜHRUNG RECHTS STAUBSCHUTZFILT	GUIA DER. FILTRO ANTIPOLVO
24 99951406	TRAVERSA SX LH CROSSBAR	TRAVERSE GACHE QUERTRÄGER LI	TRAVESAÑO IZQ.
25 99951409	LAMIERA BASAMENTO BASE SHEET-METAL	TOLE BASE SOCKEL STAHLBLECH	CHAPA BASE
26 95509196	ASSIEME PORTA FUSIBILE FUSE HOLDER ASSEMBLY	GR., BOITE A FUSIBLES ZUSAM.SCHMELZSICH.TRAEGER	KIT PORTA FUSIBLE



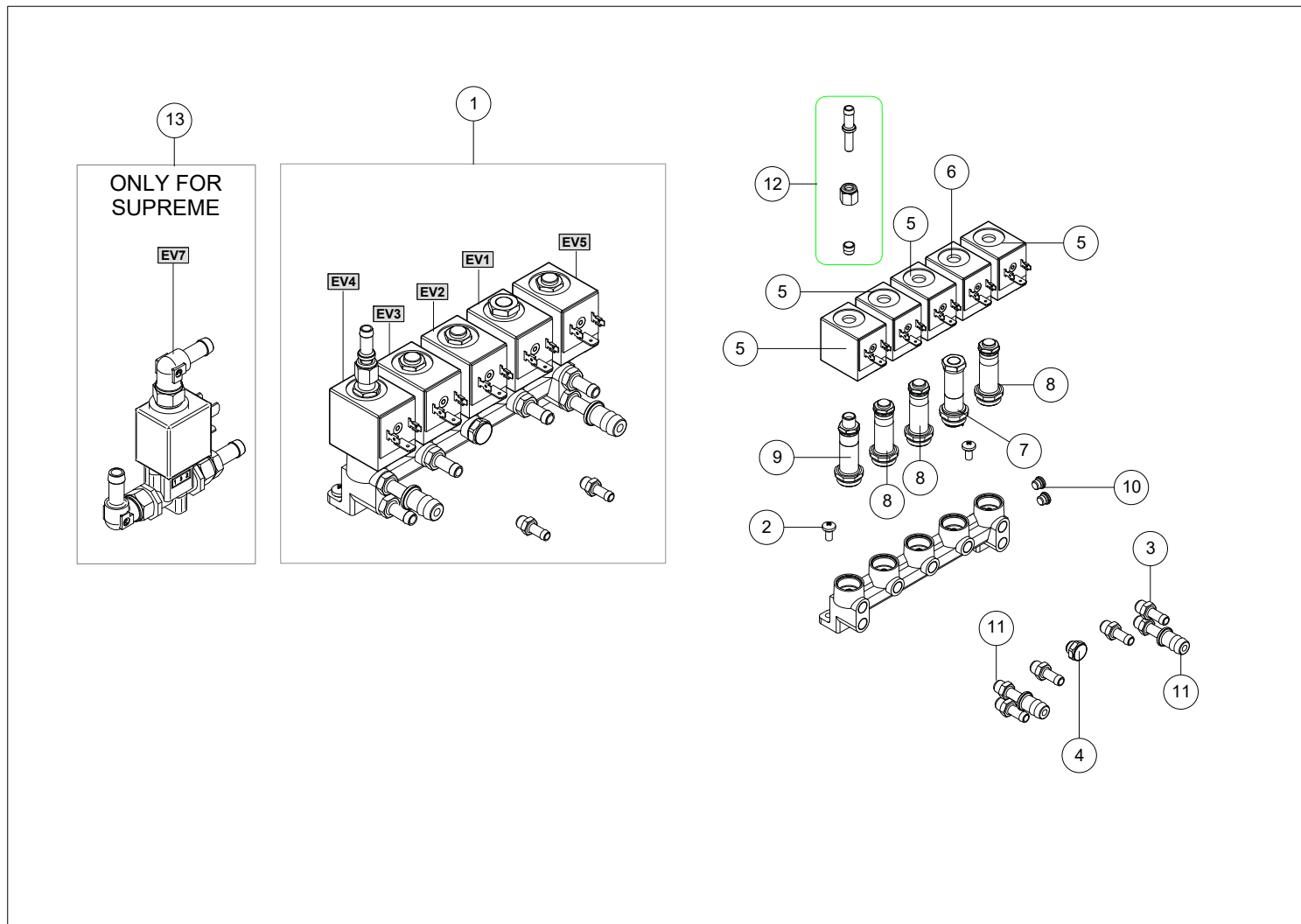
n. Code	Descrizione / Description	Description / Beschreibung	Descripción
1 99951200	STAFFA FULCRO HEAD BRACKET	ÉQUERRE TÊTE ANSCHWENKBÜGEL	SOPORTE FULCRO
2 51237059	VITE TC CROCE M3X5 ZINC.BIANC SCREW TC CROCE M3X5 ZINC.BIANC	VIS TC CROCE M3X5 ZINC.BIANC KREUZKOPFSCHRAUBE M3X5 VERZINK	TORNILLO TC PHILLIPS M3X5 CINC
3 97550103	FERMACAVO CABLE RETAINER	SERRE CABLE KABELSCHELLE	FIJACABLE
4 99950001	VITE T.CIL.CROCE ZIGR.SOTT.4X6 SOCKET HEAD SCREW M4X6 A2	VIS TC CRUCIFORME M4X6 A2 KR-SCHLITZSCHRAUBE ZK M4X6 A2	TORNILLO C/CIL CRUZ M4X6 A2
5 97780158	TARGA MASSA D=10MM FONDO GROUND PLATE D=10MM	PLAQUE MASSE D=10MM SCHILD ERDUNG	PLACA MASA
6 53135028	ROND DENT EST D 4 Z.D.BIANCA INDENT.WASHER EST D 4 Z.D.WHIT	RONDELLE DENTELÉE EXT D 4 G.D. ZAHNSCHEIBE AUSS. D 4 Z.D.WEIS	ARAND. DENT. EXT. D 4 C.D. BLA
8 97560105	RACC.RAP. SCARICO FRONT.GRIGIO GREY FRNT DRAIN QUICK COUPL.	RACC.RAP. ÉVACUAT. FRONT.GRIS SCHNELLAN. FRONT.AUSLASS GRAU	CONEX RÁP DESCARGA FRONT GRIS
9 97560106	RACC.RAP. CARICO FRONT. BLU BLUE FRONT LOAD QUICK COUPLING	RACC.RAP. REMPLISS.FRONT. BLEU SCHN.ANSCHL. FR.EINLASS BLAU	CONEX RÁP CARGA FRONT AZUL
10 97600131	INTERRUTTORE A BASCULA TOGGLE SWITCH	INTERRUPTEUR Á BASCULE KIPPSCHALTER	INTERRUPTOR BASCULANTE
12 97290160	FILTRO BATTERIOLOG 0.2 0.2 BACTERIOLOGICAL FILTER	FILTRE BACTERIOLOG. 0.2 BAKTERIOLOGISCHER FILTER 0.2	FILTRO BACTERIOLOGICO 0.2
13 99950960	RACC FILTRO BATTERIOLOGICO BACTERIOLOGICAL FILTER FITTING	FILTRE BACTÉRIOLOGIQUE RACCORD MONTAGE BAKTERIOLOGISCHE FILTE	FILTRO BACTERIOLÓGICO GUARNICI
14 99950017	RACC DADO FILTRO BATT M14X1 BACT.FILTER NUT FITTING M14X1	RACC. ÉCROU FILTRE BACT.M14X1 ANSCHL. MUTTER BAKT.FIL M14X1	UNION TUERCA FILTRO BACT M14X1
15 97668134	SCHEDA USB USB BOARD	CARTE USB USB-KARTE	TARJETA USB
16 99950956	STAFFA USB USB BRACKET	SUPPORT DE L'USB USB-KLAMMER	SOPORTE USB



n. Code	Descrizione / Description	Description / Beschreibung	Descripción
17 99951745	PANNELLO FRONT. 17-22L 17-22L FRONT PANEL	PANNEAU FRONT. 17-22L FRONTPLATTE 17-22L	PANEL DELANT. 17-22L

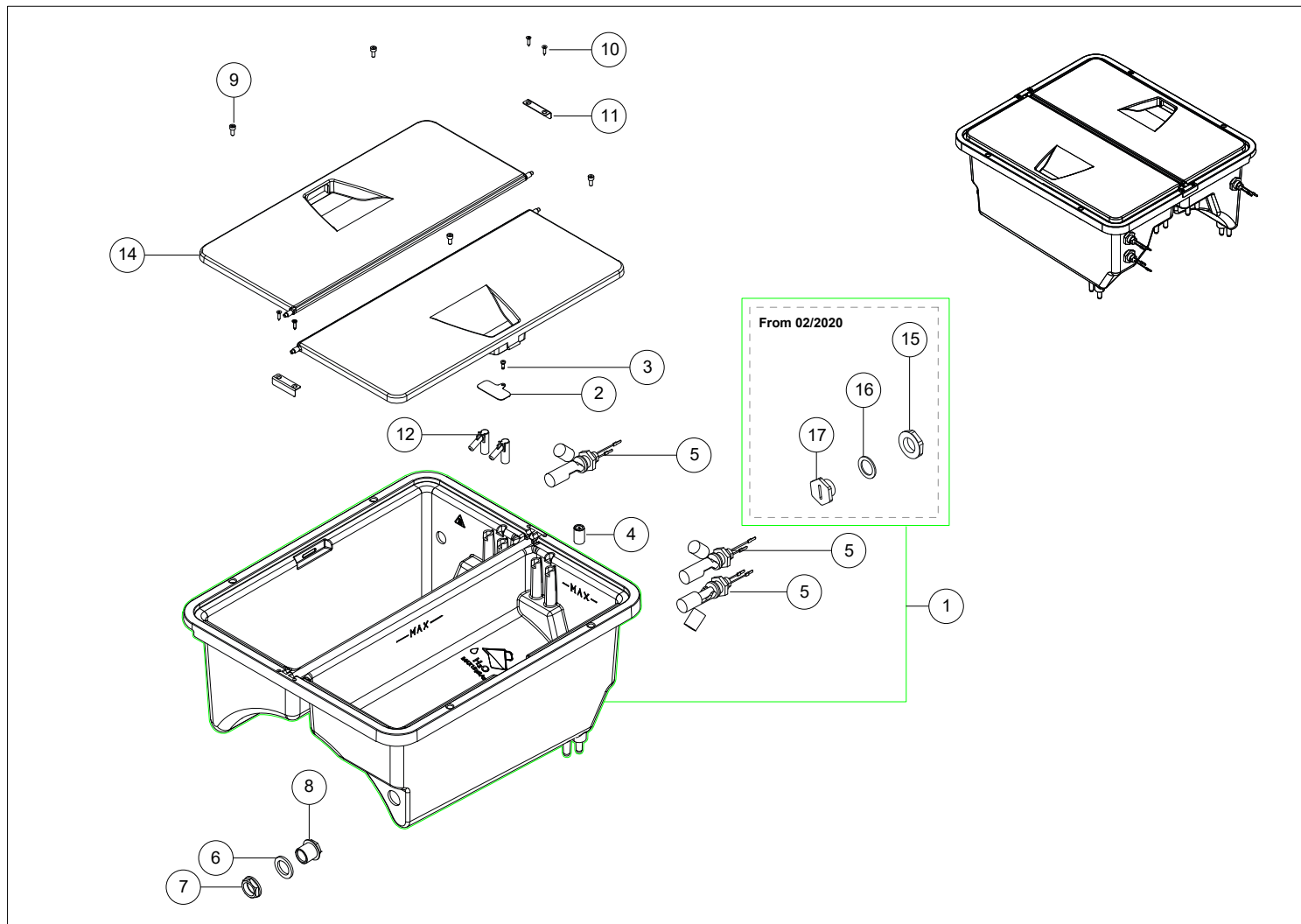


n. Code	Descrizione / Description	Description / Beschreibung	Descripción
1 51232039	VITE TCEI M4X10 SCREW TCEI M4X10	VIS TCEI M4X10 SCHRAUBE TCEI M4X10	TORNILLO TCEI M4 X 10
2 51247018	VITE TPS CROCE M4X10 A2 CSK CROSSHEAD SCR M4X10 A2	VIS TF PLATE CRUCIFOR.M4X10 A2 SENKSCHRAUBE M KREUZ. M4X10 A2	TORN C/PLANA AVELL CR M4X10 A2
3 97250036	VENTILATORE 120X120X25 24V 120X120X25 24V FAN	VENTILATEUR 120X120X25 24V VENTILATOR 120X120X25 24V	VENTILADOR 120X120X25 24V
4 99950002	VITE T.CIL.CROCE ZIGR.SOTT.4X8 CROSSHEAD SCREW M4X8 A2	VIS TC CRUCIFORME M4X8 A2 KR-SCHLITZSCHRAUBE ZK M4X8 A2	TORNILLO C/CIL CRUZ M4X8 A2
5 99951477	SCAMBIATORE DI CALORE S S WARMTH EXCHANGER	ECHANGEUR DE CHALEUR S WAERMEAUSTAUSCHER S	INTERCAMBIADOR DE CALOR S
6 99951551	CARTER POSTERIORE S 17 CARTER POSTERIORE S 17	CARTER POSTERIORE S 17 CARTER POSTERIORE S 17	CARTER POSTERIORE S 17
7 97782065	ETICHETTA H2OIN/DRAIN/OVERFULL H2O IN / DRAIN LABEL	ETIQUETTE H2O ENTREE/DRAINAGE ETIKETT H2O E/DRAIN.	ETIQUETA H2O INGRESO/DRENAJE

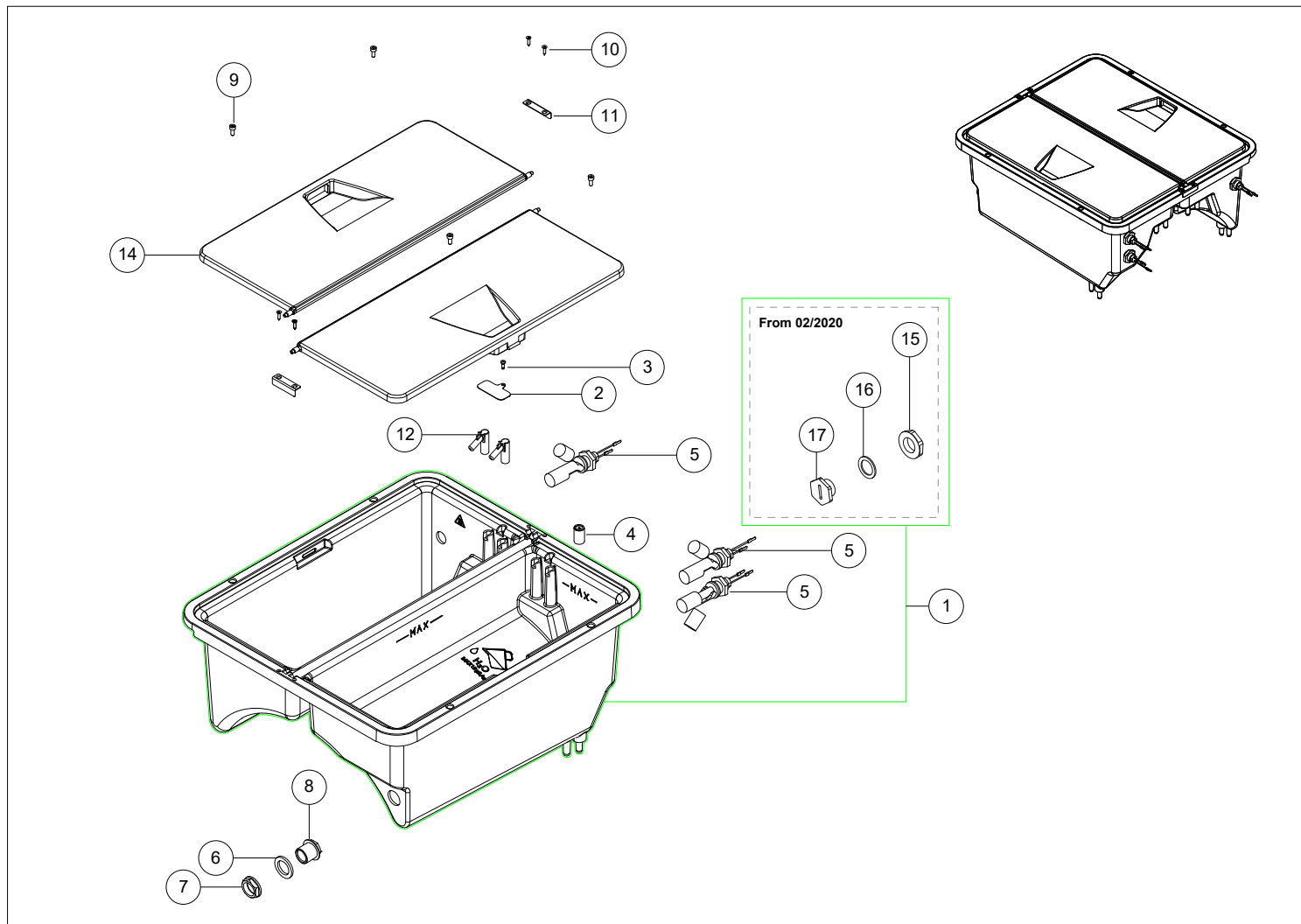


n. Code	Descrizione / Description	Description / Beschreibung	Descripción
1 95509218	ASSIEME MANIFOLD MANIFOLD ASSEMBLY	MANIFOLD CAMOZZI CAMOZZI MANIFOLD	MANIFOLD CAMOZZI
2 99950003	VITE T.CIL.CROCE ZIGR.SOT.5X10 CROSSHEAD SCREW M5X10 A2	VIS TC CRUCIFORME M5X10 A2 KR-SCHLITZSCHRAUBE ZK M5X10 A2	TORNILLO C/CIL CRUZ M5X10 A2
3 99950948	RACC. P.GOMMA DIR M G1/8 D7,9 M G1/8 D7.9 STR HOSE CONNECTR	RACC.P.-TUYAU DR.M G1/8 D7,9 GER. SCHL.ANSCHL. M G1/8 D7,9	CONEX PORTAG RECT M G1/8 D7,9
4 97986300	RACCORDO FILTRO FILTER FITTING	RACCORD FILTRE FILTER-MONTAGE	GUARNICIÓN FILTRO
5 97720214	BOBINA SOLENOID	BOBINE SPULE	BOBINA
6 97720213	BOBINA PER NA COIL FOR NA (NORMALLY OPEN)	BOBINE POUR NA (OUVRIR NORMALE SPULE FÜR NA (SCHLIESSER)	BOBINA PARA NA (NORMALMENTE AB
7 97720215	PORTAC+CURSORE EV1 HOLDER + EV1 CURSOR	PORTE CURSEUR + EV1 CURSEUR HALTER + EV1 CURSOR	PUERTA CURSOR + EV1 CURSOR
8 97720216	PORTAC+CURSORE EV2-EV3-EV5 HOLDER + CURSOR EV2-EV3-EV5	PORTE + CURSEUR EV2-EV3-EV5 HALTER + CURSOR EV2-EV3-EV5	PUERTA CURSOR + CURSOR EV2-EV3
9 97720217	PORTAC+CURSORE 3 VIE EV4 HOLDER + 3-WAY CURSOR EV4	PORTE + 3 VOIES CURSEUR EV4 HALTER + 3-WEGE-CURSOR EV4	PUERTA CURSOR + 3 VÍAS CURSOR
10 97420143	TAPPO MANIFOLD MANIFOLD PLUG	BOUCHON COLLECTEUR VERTEILERVERSCHLUSS	TAPÓN COLECTOR
11 97960088	RACCORDO MANDATA / RITORNO DELIVERY / RETURN CONNECTOR	RACCORD ALLER / RETOUR VORLAUF-/RÜCKLAUFANSCHLUSS	CONEXION IDA / VUELTA
12 97987800	RACCORDO A OGIVA OGIVE FITTING	RACCORD À OLIVE WIDERHAKENANSCHLUSS	UNIÓN DE COMPRESIÓN
13 95530868	ASS ELETTROVALVOLA SERBATOI TANKS SOLENOID VALVE GR.	ENS.ELECTROVANNE RESERVOIR TANKMAGNETVENTIL GR.	GR.ELECTROVALV. DEPOSITO

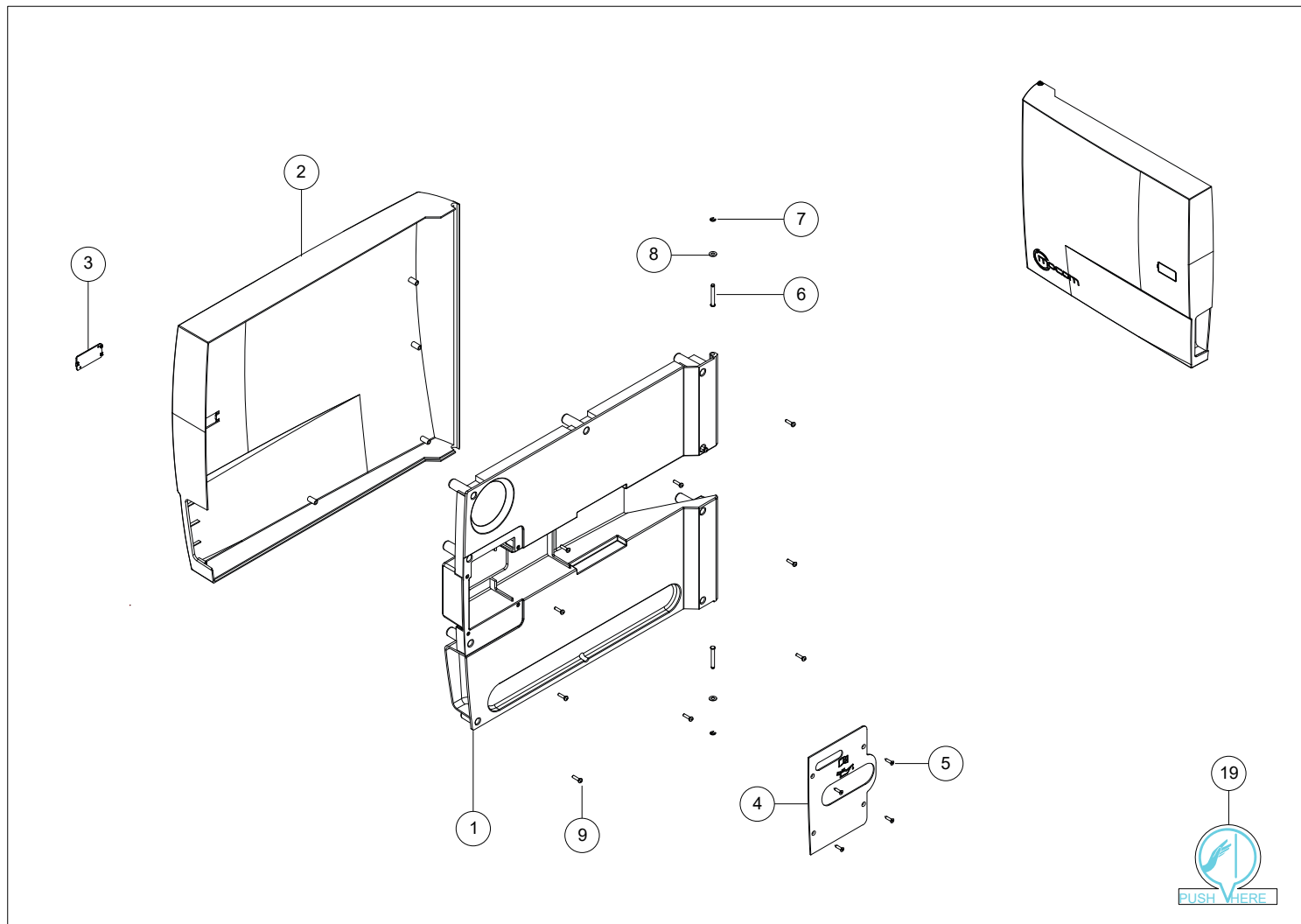




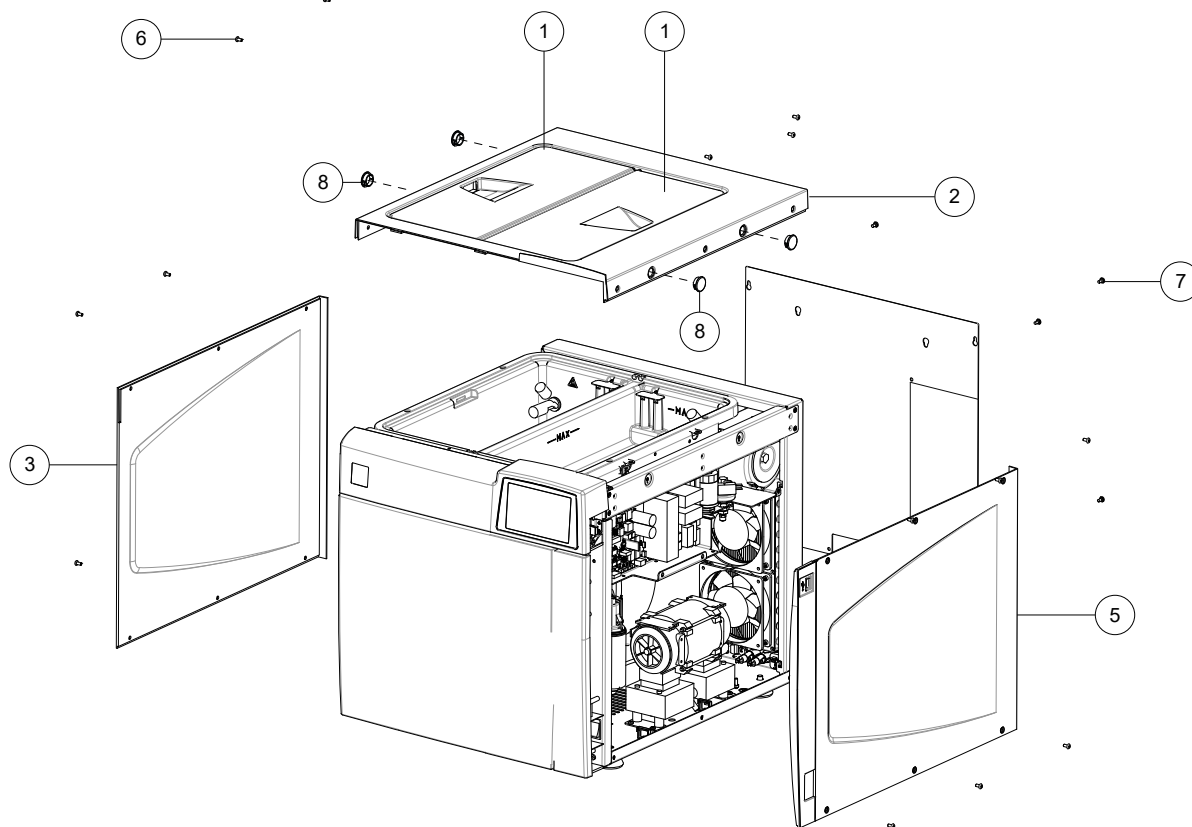
n. Code	Descrizione / Description	Description / Beschreibung	Descripción
1 95509224	SERBATOIO CON TAPPO TANK WITH CAP	RESERVOIR AVEC BOUCHON BEHÄLTER MIT VERSCHLUSS	DEPOSITO CON TAPA
2 99950995	PARASPRUZZI SPLASH GUARD	PARE-ÉCLABOUSSURES SPRITZSCHUTZ	PROTECCIÓN CONTRA SALPICADURAS
3 51467001	VITE AUT T/BOMB 3X8 A2 SCREW FOR PLAST.MAT. TCCR/Z UN	VIS FOR PLAST.MAT. TCCR/Z UN SELBSTS. LINSKOPFSCHRAUBE 3X	TORNILLO AUT C/ABOMB. 3X8 A2
4 97290210	FILTRO ASS SERBATOIO TANK WATER FILTER	FILTRE EAU RÉSERVOIR FILTER FÜR WASSER BEHÄLTER	FILTRO AGUA DEPÓSITO
5 97662424	SENSORE DI LIVELLO LEVEL SENSOR	CAPTEUR DE NIVEAU STANDSENSOR	CAPTADOR DE NIVEL
6 99951014	DADO PVC 1/2" DADO PVC 1/2"	DADO PVC 1/2" DADO PVC 1/2"	DADO PVC 1/2"
7 97400179	GUARNIZIONE D30X20X3 EPDM D30X20X3 EPDM GASKET	GARNIT. D30X20X3 EPDM DICHTUNG D30X20X3 EPDM	FORRO D30X20X3 EPDM
8 97420135	TAPPO PFV012 FIG. A (FIP) TAPPO PFV012 FIG. A (FIP)	TAPPO PFV012 FIG. A (FIP) TAPPO PFV012 FIG. A (FIP)	TAPPO PFV012 FIG. A (FIP)
9 51232039	VITE TCEI M4X10 SCREW TCEI M4X10	VIS TCEI M4X10 SCHRAUBE TCEI M4X10	TORNILLO TCEI M4 X 10
10 51447093	VITE AUT TPS CRO 3X12 CSK CR.HD TAPPING SCR 3X12	VIS AUTOT. TF PLATE CHR. 3X12 SENKSCHNEIDSCHRAUBE KREUZ 3X12	TORN AUT C/PLANA AVELL CR 3X12
11 99951056	STAFFA SPORTELLO SERBATOIO TANK DOOR BRACKET	BRIDE PORTE RÉSERVOIR KLAPPENBÜGEL BEHÄLTER	SOPORTE PUERTA DEPÓSITO
12 97467330	RACCORDO SERBATOIO RACCORDO SERBATOIO	RACCORDO SERBATOIO RACCORDO SERBATOIO	RACCORDO SERBATOIO
14 95530418	ASS COPERCHIO SERBATOIO TANK COVER ASSEMBLY	ENS.COUPER.RESERVOIR TANKABDECKUNG GR.	GR. TAPA DEPOSITO
15 97420041	GHIERA PG9 GRIGIA PG9 GRAY RING	EMBOUT PG9 GRIS MUTTER PG9 GRIGIA	VIROLA PG9 GRIS



n. Code	Descrizione / Description	Description / Beschreibung	Descripción
16 97388500	GUARNIZIONE 20X13,9X1,2 20X13,9X1,2 GASKET	JIONT 20X13X1,2 DICHTUNG 20X13,9X1,2	JUNTA 20X13X1,2
17 97420236	TAPPO PG9 PG9 CAP	BOUCHON PG9 VERSCHLUSS PG9	TAPA PG9



n. Code	Descrizione / Description	Description / Beschreibung	Descripción
1 97467126	CONTROSPORTELLLO INTERNAL DOOR	CONTRE PORTE GEGEN TÜR	CONTRA-PUERTA
2 97467144	SPORTELLLO MOCOM MOCOM DOOR	MOCOM PORTE MOCOM TÜR	MOCOM PUERTA
3 97467124	TAPPO MOCOM MOCOM PLUG	BOUCHON MOCOM VERSCHL. MOCOM	TAPÓN MOCOM
4 99951479	LAMIERA COPERTURA COVER PLATE	TOLE COUVERTURE ABDECK.SBLECH	CHAPA COBERTURA
5 51447093	VITE AUT TPS CRO 3X12 CSK CR.HD TAPPING SCR 3X12	VIS AUTOT. TF PLATE CHR. 3X12 SENKSCHEIDSCHRAUBE KREUZ 3X12	TORN AUT C/PLANA AVELL CR 3X12
6 99951201	PERNO SPORTELLLO DOOR PIN	PIVOT PORTE BOLZEN FÜR KLAPPE	PERNO PUERTA
7 55103002	ANELLO BENZIG RS3.2 BENZIG RS3.2 RING	BAGUE BENZIG RS3.2 RING BENZIG RS 3.2	ANILLO BENZING RS3.2
8 53107004	ROND D=4,3X9 S=0,8 NYLON WASHER D=4,3X9 S=0,8 NYLON	RONDELLE D=4,3X9 S=0,8 NYLON UNTERLEGS. D=4,3X9 S=0,8 NYLON	ARAND. D=4,3X9 S=0,8 NYLON
9 51467003	VITE AUT T/BOMB 3X12 A2 ROUND HEAD TAPPING SCR 3X12 A2	VIS AUTOT. TÊTE BOMBÉE 3X12 A2 LINSENKSCHEIDSCHRAUBE 3X12 A2	TORN AUT C/ABOMB 3X12 A2
19 97783239			



n. Code	Descrizione / Description	Description / Beschreibung	Descripción
1 95530418	ASS COPERCHIO SERBATOIO TANK COVER ASSEMBLY	ENS.COUPER.RESERVOIR TANKABDECKUNG GR.	GR. TAPA DEPOSITO
2 97467136	COPERTURA SUPERIORE TOP COVER	CARTER SUPÉRIEUR OBERE ABDECKUNG	COBERTURA SUPERIOR
3 97467135	COPERTURA LATERALE SX LH SIDE COVER	CARTER LATÉRAL GAUCHE SEITLICHE ABDECKUNG LINKS	COBERTURA LATERAL IZDA
5 97467134	COPERTURA LATERALE DX RIGHT SIDE COVER	CARTER LATÉRAL DROIT ABDECKUNG RECHTS SEITLICH	CUBIERTA LATERAL DERECHA
6 51262010	VITE T/BOMB EI M4X8 10.9 T/BOMB SCREW EI M4X8 10.9	VIS T/BOMB EI M4X8 10.9 SCHRAUBE T/BOMB EI M4X8 10.9	TORNILLO T/BOMB EI M4X8 10.9
7 99950002	VITE T.CIL.CROCE ZIGR.SOTT.4X8 CROSSHEAD SCREW M4X8 A2	VIS TC CRUCIFORME M4X8 A2 KR-SCHLITZSCHRAUBE ZK M4X8 A2	TORNILLO C/CIL CRUZ M4X8 A2
8 97460388	TAPPO CIL D 14 BIANCO LUC GLOSS WHITE PLUG - D=14 MM	BOUCHON BLANC BRILLANT - D = 1 VERSCHLUSS WEISS GLÄNZEND - D	TAPÓN BLANCO BRILLANTE - D=14



n. Code	Descrizione / Description	Description / Beschreibung	Descripción
1 99951317	VASSOIO ALLUMINIO 17 LT 17 LT ALUMINIUM TRAY	PLATEAU ALUMINIUM 17LT TABLETT AUS ALUMINIUM 17 L	BANDEJA ALUMINIO 17LT
2 99950390	PORTATRAYS 17 LT TRAY HOLDER 17 LT	PORTE-PLATEAUX 17 LT TRAYHALTER 17 LT	PORTABANDEJAS 17 LT
4 97340129	TUBO SILICONE 6X10 SILICONE PIPE 6 X 10	TUYAU SILICONE 6X10 SILIKONROHR 6X10	TUBO SILICONA 6X10
5 97550099	INNESTO PIPU80-PG8 PIPU80-PG8 PLUG-IN	JOINT PIPU80-PG8 GRAFT PIPU80-PG8	CONEXION PIPU80-PG8
6 97467066	ESTRATTORE VASSOI TRAYS EJECTOR	EJECTEUR PLATEAU ENTNAHMEVORRICHTUNG TRAYS	EXTRACTOR BANDEJA
7 58008036	CHIAVE BRUGOLA S5 S5 HEX WRENCH	CLE MALES S5 INBUSSCHLÜSSEL S5	LLAVE 5S
17 97668162	USB PEN 2.0 8GB USB PEN 4GB	CLÉ USB 2.0 8GB USB-STICK 2.0 8GB	MEMORIA USB 2.0 8 GB
18 99950543	VASSOIO IN FILO 17 LT WIRE TRAY TYPE 17L	PLATEAU EN FIL TYPE 17L DRAHTTABLETT TYPE 17L	BANDEJA ALAMBRE TYPE 17L
19 99951438	MENSOLA PORTATRAY 17L 17 LT TRAYHOLDER BRACKET	PLATEAU PORTETRAY 17LT BRETT TRAYTABLETT 17L	BANDEJA PORTA-TRAY 17LT
21 99950394	PORTABUSTE SLEEVES HOLDER	PORTE-SACS BEUTELHALTER	PORTA-BOLSOS
23 95530404	ASS IMBALLO PACKAGING ASSY	ENS EMBALLAGE EINH. VERPACKUNG	CONJ. EMBALAJE
25 97920807	SCATOLA ACCESSORI (550X270X40) ACCESSORY BOX (550X270X40)	BOITE ACCESS. (550X270X40) ZUBEHOERKASTEN (550X270X40)	CAJA ACCES. (550X270X40)
26 97526185	CAVO ALIM 3X1,5 C19-SCHUKO C19-SCHUKO CHARGER CABLE 3X1,5	CABLE ALIM.3X1,5 C19-SCHUKO VERSORG.KABEL 3X1,5 C19-SCHUKO	CABLE ALIM.3X1,5 C19-SCHUKO
27 97526202	CAVO ALIM3X1,5 C19-BS1363UK C19-BS1363UK CHARG CABLE 3X1,5	CABLE ALIM.3X1,5 C19-BS1363UK VERSORGUNGSKABEL 3X1,5 C19-BS1	CABLE ALIM.3X1,5 C19-BS1363UK



n. Code	Descrizione / Description	Description / Beschreibung	Descripción
28 97526215	CAVO ALIM SJTW 3XAWG14 C19-NEM SJTW 3XAWG14 C19-NEM CHAR CABL	CABLE ALIM.SJTW 3XAWG14 C19NEM VERSORGUNGSKABEL SJTW 3XAWG14	CABLE ALIM.SJTW 3XAWG14 C19NEM
30 97850038	TUBETTO GRASSO NILEX EP1 50GR NILEX EP1 50GR GREASE TUBE	TUYAU GRAISSE NILEX EP1 50GR SCHMIERETUBE NILEX WP1 50GR	TUBO GRASA NILEX EP1 50GR





1



4



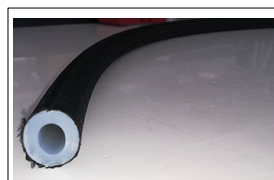
2



5



3



8



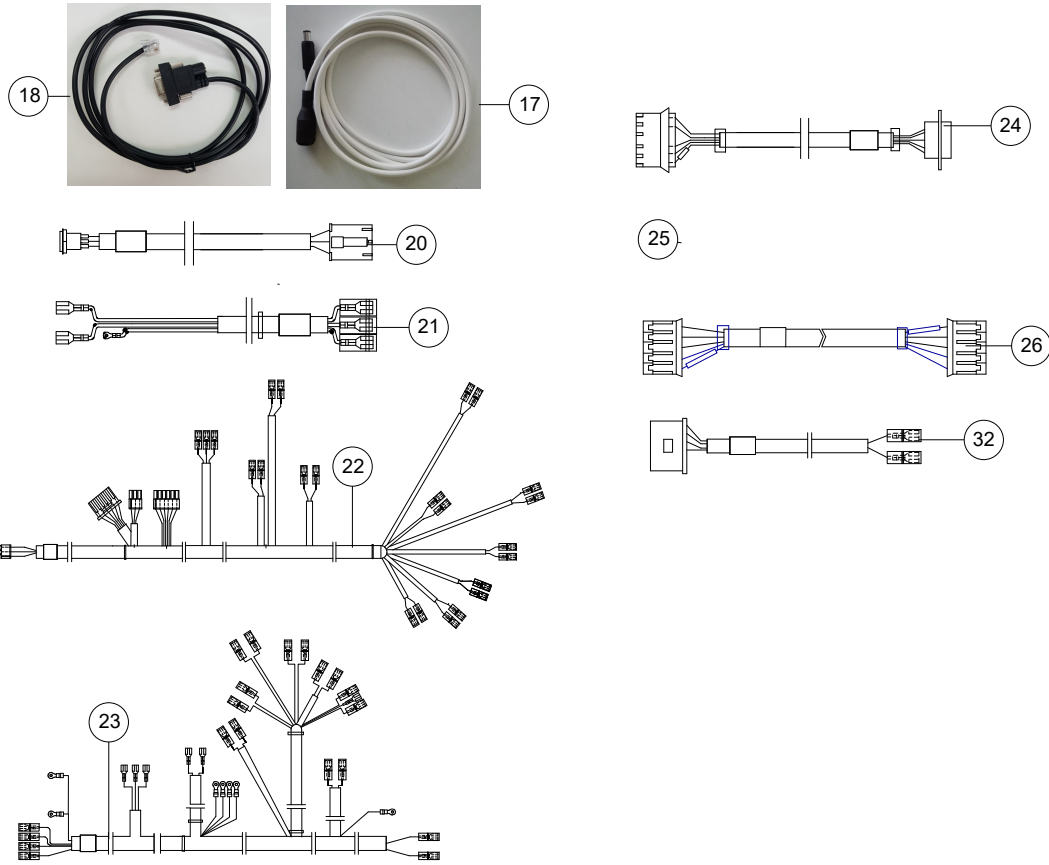
6



9

n. Code	Descrizione / Description	Description / Beschreibung	Descripción
1 97340142	TUBO 4X2.5 FEP 140 Teflon pipe FEP 140 4x2.5 mm.	Teflon pipe FEP 140 4x2.5 mm. Teflon pipe FEP 140 4x2.5 mm.	Teflon pipe FEP 140 4x2.5 mm.
2 97340129	TUBO SILICONE 6X10 SILICONE PIPE 6 X 10	TUYAU SILICONE 6X10 SILIKONROHR 6X10	TUBO SILICONA 6X10
3 97340131	TUBO SILICONE D=6X12 CALZ NERO SILICONE PIPE 6X12	TUYAU SILICONE 6X12 SILIKONROHR 6X12	TUBO SILICONA 6X12
4 97340232	TUBO POLIURETANO 6X8 GRIGIO POLYURETHAN 6X8 GREY TUBE	TUYAU POLYURETHANE 6X8 GRIS POLYURETHAN-SCHLAUCH 6X8 GRAU	TUBO POLIURETANO 6X8 GRIS
5 97340141	TUBO SILIC 6X13 GRIGIO-NERO SILIC.TUBE 6X12 GREY-BLACK	TUYAU SILIC. 6X12 GRIS-NOIR SILIKONSCHL. 6X12 GRAU-SCHWARZ	TUBO SILIC 6X12 GRIS-NEGRO
6 97150006	FASCETTA CLIC 66-120 CLIC STRIP 66-120	BANDE CLIC 66-120 BAND CLIC 66-120	ABRAZADERA CLIC 66-120
8 97340224	TUBO SILICONE 10X20 TRECCIATO BRAIDED 10X20 SILICON TUBE	TUYAU SILICONE 10X20 TRESSE SILIKONSCHLAUCH 10X20 VERDRILL	TUBO SILICONA 10X20 TRENZADO
9 97815296	MOLLA BIFILARE BIFM202059 BIFM202059 TWO WIRE SPRING	RESSORT BIFILAIRE BIFM202059 ZWEIFÄDIGE FEDER BIFM202059	MUELLE BIFILAR BIFM202059

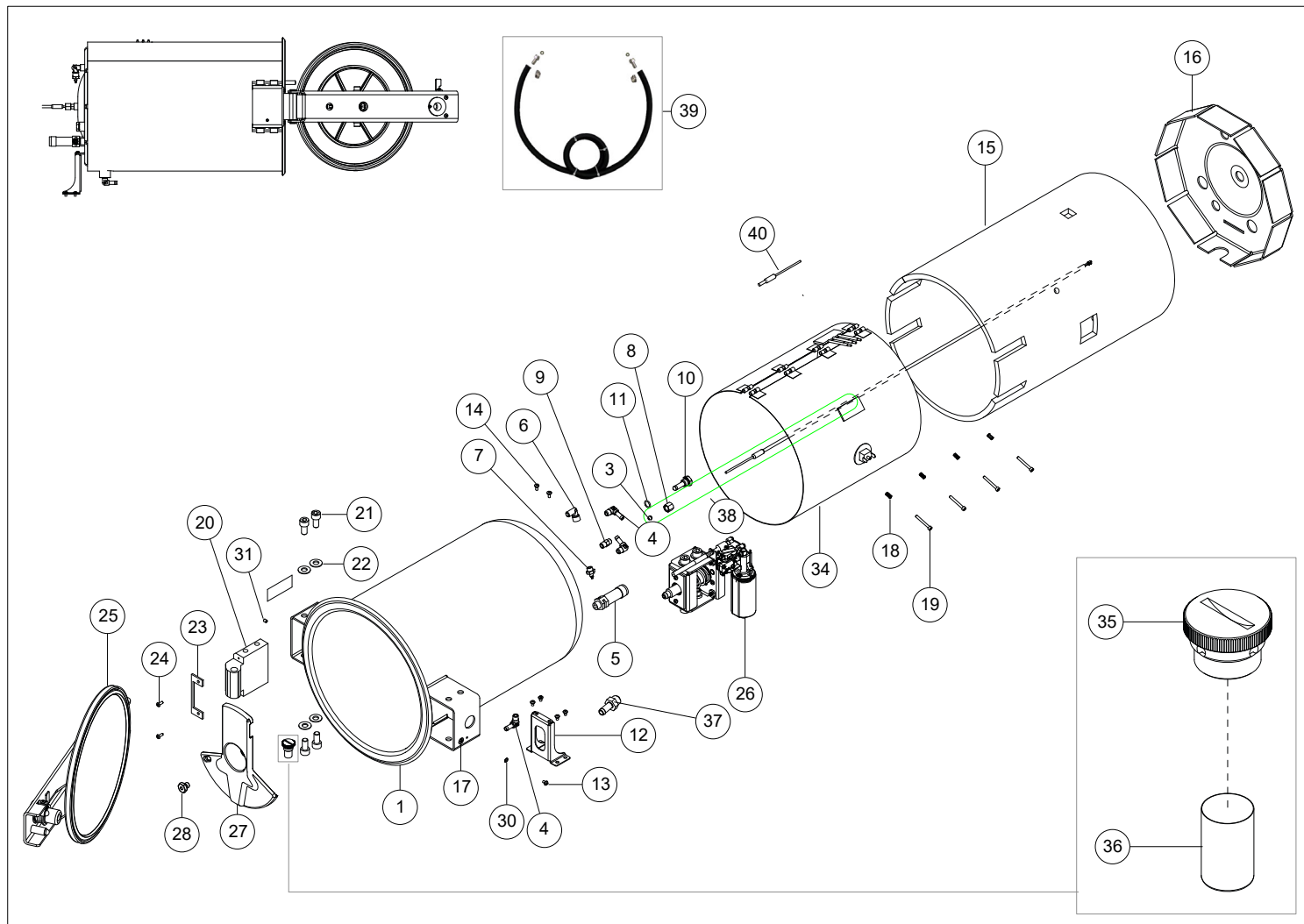




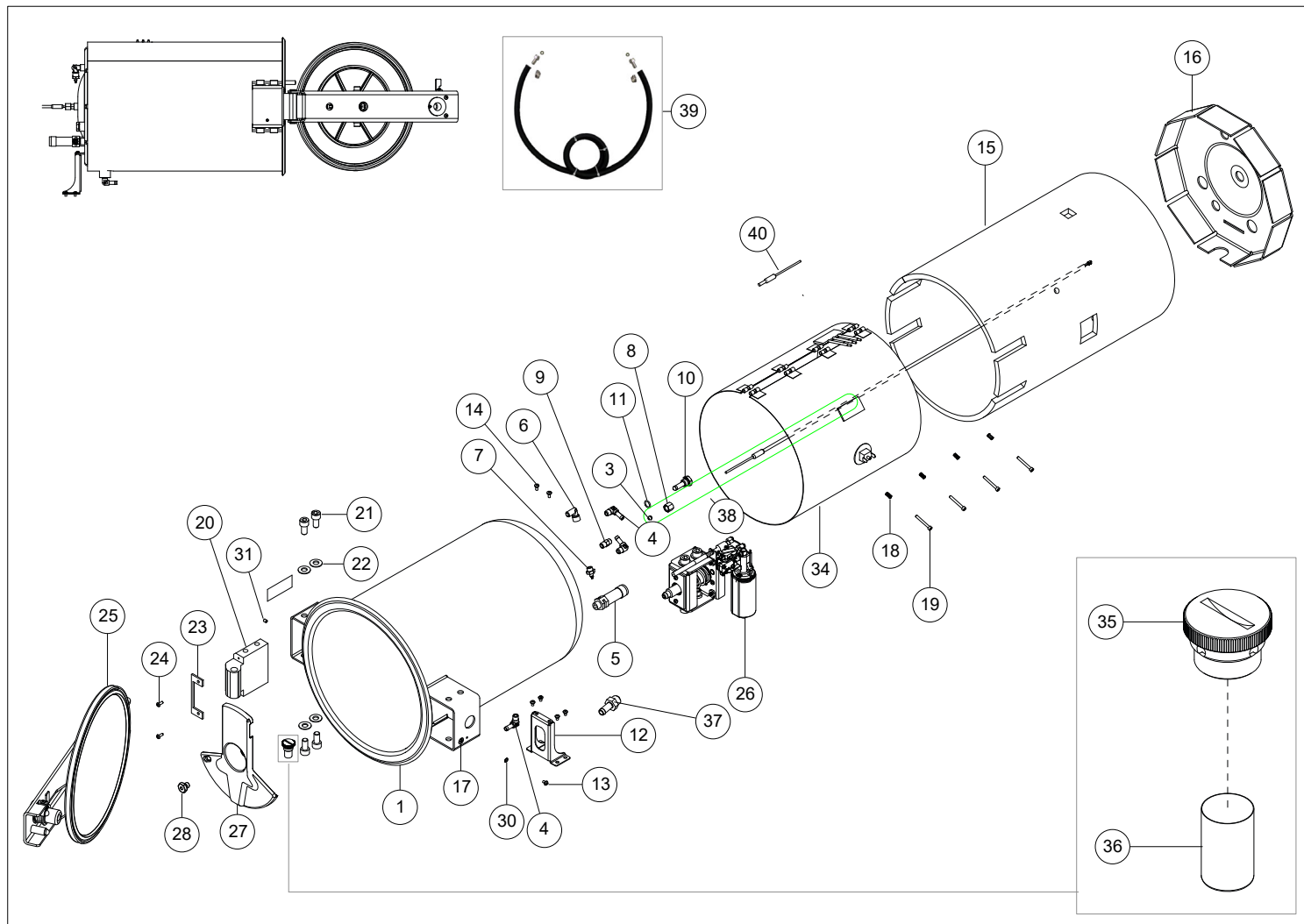
n. Code	Descrizione / Description	Description / Beschreibung	Descripción
17 97526232	PROLUNGA POMPA DI CARICO LOADING PUMP EXTENSION	RALLONGE POMPE DE CHARGEMENT LADEN VERLAENGERUNGSPUMPE	EXTEN.BOMBA DE CARGA
18 97526245	CABL. AUTOCLAVE-STAMPANTE STD STD PRINTER-AUTOCLAVE CABLE	CABLE AUTOCLAVE-IMPRIMANTE STD AUTOKLAVEN/DRUCKER STD. KABEL	CABLE AUTOCLAVE-IMPRESORA STD
20 97526188	CABLAGGIO SISTEMI DI CARICO CHARGING SYSTEM WIRING	CABL. SIST. DE CHARG. VERKABELUNG BEFÜLLUNGSSYSTEME	CABL. SISTEMA DE DESCARGA
21 97526186	CABLAGGIO FUSIBILI FUSES WIRING	CABL. FUSIBLE VERKABELUNG SICHERUNGEN	CABL. FUSIBLES
22 97526187	CABLAGGIO BASSA TENSIONE LOW VOLT.WIRING	CABL. BAISSSE TENSION VERKABELUNG NIEDERSpannung	CABL. BAJA TENSION
32 97526286	IMP. EL. MICROSWITCH DOOR MICROSWITCH DOOR EL. SYS.	IMP. EL. MICROSWITCH PORTE#N/D ELEKTR. ANL. TÜRMIKROSCHALTER	IMP.EL.MICROSWITCH PUERTA#N/D
23 97526193	CABLAGGIO ALIMENTAZIONE POWER SUPPLY WIRING	CABL. ALIMENTATION VERSORGUNGSVERKABELUNG	CABL. ALIMENTACION
24 97526190	CABLAGGIO PORTA SERIALE SERIAL PORT CABLE	CÂBLE DE PORT SÉRIE SERIELLE KABEL	CABLE DE PUERTO SERIAL
26 97526184	CABLAGGIO USB USB WIRING	CABLAGE USB USB-VERKABELUNG	CABL. USB
25 97526192	CAVO STP SCH X RETI CAT.5E 8PO CAT.5E 8PO NET BOARD STP CABLE	CÂBLE STP BLIN. P/RÉSEAUX CAT. KABEL STP NETZWERKPLAT. KAT.5E	CABLE STP TARJ. PARA REDES CAT

n. Code	Descrizione / Description	Description / Beschreibung	Descripción
1	Assieme caldaia 22lt Boiler assembly 22 l	Ensemble chaudière 22 l Aggregat Kessel 22 l	Conjunto caldera 22lt
2	Assieme oblò 17lt / 22lt Port assembly 17 l / 22 l	Ensemble hublot 17 l / 22 l Tür-Aggregat 17 l / 22 l	Conjunto ventana 17lt / 22lt
3	Assieme sistema di chiusura Locking system assembly	Ensemble système de fermeture Aggregat Verriegelungssystem	Conjunto sistema de cierre
4	Assieme generatore di vapore 230V 230V Steam generator assembly	Ensemble générateur de vapeur 230V 230V Dampfgenerator-Aggregat	Conjunto generador de vapor 230V
5	Fascia laterale / cornice frontale / display Classic Side panel / front frame / Classic display	Bande latérale / cadre frontal / afficheur Classic Seitliche Verkleidung / Rahmen vorne / Display Classic	Banda lateral / marco frontal / pantalla Classic
6	Assieme pompa a vibrazione (generatore di vapore) Vibration pump assembly (steam generator)	Ensemble pompe à vibrations (générateur de vapeur) Vibrationspumpen-Aggregat (Dampfgenerator)	Conjunto bomba de vibración (generador de vapor)
7	Assieme pompa a vuoto H-5 / P-3 Vacuum pump assembly H-5 / P-3	Ensemble pompe à vide H-5 / P-3 Vakuumpumpen-Aggregat H-5 / P-3	Conjunto bomba de vacío H-5 / P-3
8	Assieme scheda Board assembly	Ensemble carte Aggregat Platine	Conjunto tarjeta
9	Traverse e portale Crosspieces and frame	Traverses et portail Querträger und Rahmen	Travesaños y portal
10	Chassis varie Chassis, various components	Châssis divers Chassis, verschiedene Teile	Chasis varias
11	Scambiatore di calore Heat exchanger	Échangeur de chaleur Wärmeaustauscher	Intercambiador de calor
12	Assieme manifold Manifold assembly	Ensemble manifold Manifold-Aggregat	Conjunto manifold
13	Assieme serbatoio carico / scarico Filling/drain tank assembly	Ensemble réservoir de chargement / vidange Aggregat Befülltank / Ablasstank	Conjunto depósito de carga / descarga
14	Assieme sportello Mocom Mocom Door assembly	Ensemble trappe Mocom Aggregat Mocom Türklappe	Conjunto puerta Mocom

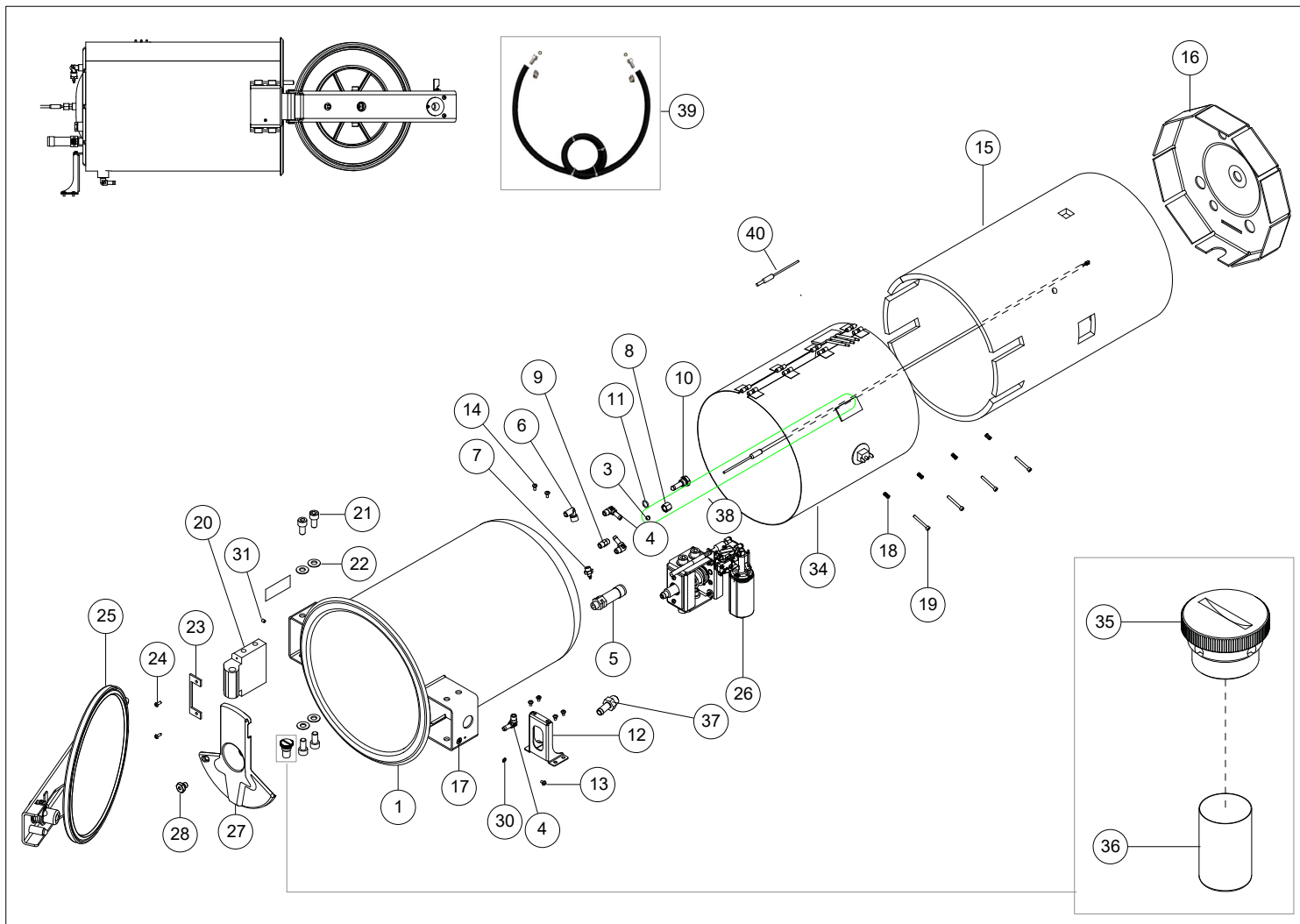
n. Code	Descrizione / Description	Description / Beschreibung	Descripción
15	Coperture Covers	Couvertures Abdeckungen	Coberturas
16	Dotazione "S" Equipment "S"	Dotation "S" Ausstattung "S"	Equipamiento "S"
18	Assieme trasduttore e pressostato Transducer and pressure switch assembly	Ensemble transducteur et pressostat Einheit Geber und Druckwächter	Conjunto transductor y presostato
21 <b>95509167</b>	KIT MANUTENZ. ANNUALE 17/22 LT ANNUAL MAINTENANCE KIT 17/22LT	KIT ENTRETIEN ANNUEL 17/22 LT KIT JÄHRLICHE WARTUNG17/22L	KIT MANTENIMIENTO ANUAL 17/22L
22	Tubazioni - Cablaggi Piping - Wiring	Tuyauteries - Cabalges Rohrleitungen - Kabel	Tuberías - Cableados
23	Cablaggi Wiring	Cabalges Kabel	Cableados



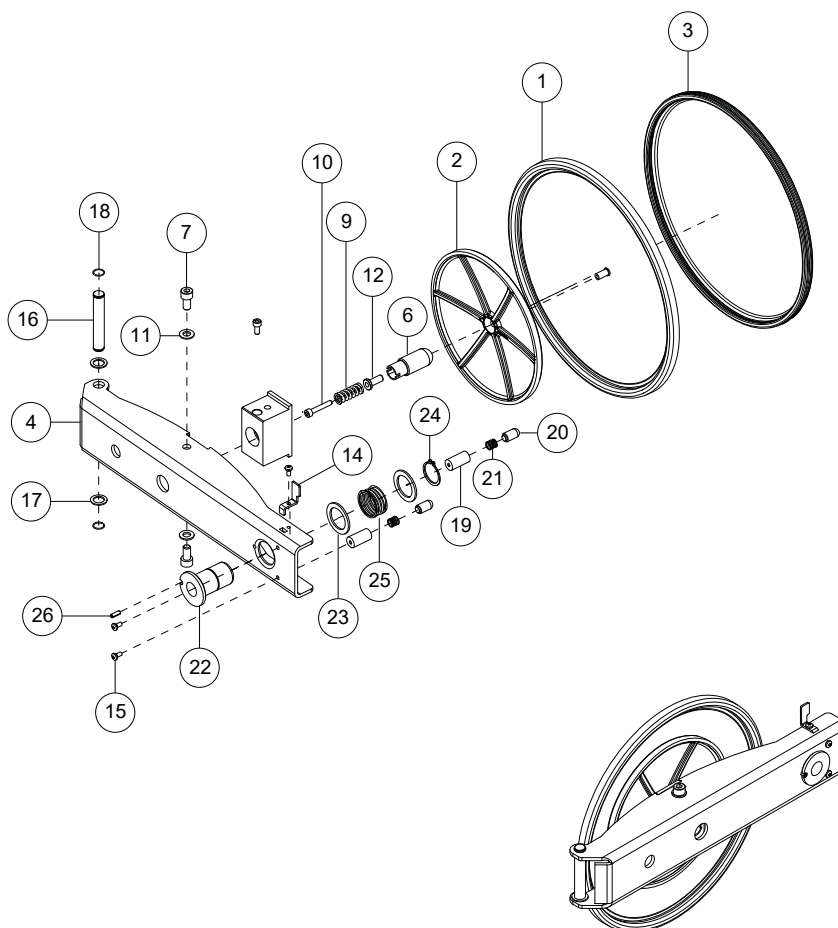
n. Code	Descrizione / Description	Description / Beschreibung	Descripción
1	99951886		
3	99950030 RACC SONDA PROBE FITTING	RACCORD SONDE SONDENANSCHLUSS	EMP SONDA
4	99950946 RACC. P.GOMMA ANG M G1/8 D7,9 M G1/8 D7.9 ANG HOSE CONNECTR	RACC.P.TUYAU COUDÉ M G1/8 D7,9 WINKELSCHL.ANSCHL. M G1/8 D7,9	CONEX PORTAG ANG M G1/8 D7,9
5	97290156 VALVOLA SIC.TUV 1/4" T2,4 BAR SAFETY VALVE 1/4-T 2.4 BAR"	CLAPET/SÛRETÉ 1/4-T 2.4 BAR" SICHERHEITSV. 1/4-T 2.4 BAR"	VALVULA SIC 1/4-T 2.4 BAR"
6	97960028 RACC ANG FM G1/8 ANG FITTING FM G1/8	RACC. ANG. FM G1/8 WINKEL-ANSCHLUSS FM G1/8	UNION ANG FM G1/8
7	97988600 RACC DIRITTO MASC.1/8 + RESCA STRAIGHT FITTING 1/8 MALE	RACCORD DROIT 1/8 MÂLE CANNELÉ GERADER ANSCHLUSS MÄNNL. 1/8 +	UNIÓN RECTA MACHO 1/8 + ESPIGA
8	99950028 DADO RACC SONDA 12X11.5 PROBE FITTING NUT 12X11.5	ÉCROU RACCORD SONDE 12X11.5 MUTTER F SONDENANSCHL 12X11.5	TUERCA EMP SONDA 12X11.5
9	99950031 RACC SONDA ESAG G1/8 G1/8 HEX PROBE FITTING G1/8 G1/8	RACC. SONDE HEXAG. G1/8 G1/8 SECHSKANTVER. SONDE G1/8	UNION SONDA ESAG G1/8 G1/8
10	99951447 RACC. TAPPO CON FERMO BRAKE CAP CONNECTOR	CONEC. BOUCH. AVEC ARRET ANSCHL. DECKEL MIT VERSCHLUSS	CONEX. TAPA CON TOPE
11	97360013 OR 1,78X11,11 VITON 75 SHA OR 1.78X11.11	JOINT TORIQUE 1,78X11,11 O-RING 1,78X11,11	OR 1,78X11,11
12	99950989 STAFFA SUPPORTO CALDAIA BOILER SUPPORT BRACKET	SUPPORT DE CHAUDIÈRE KESSEL-HILFS-KLAMMER	SOPORTE DE CALDERA
13	99950001 VITE T.CIL.CROCE ZIGR.SOTT.4X6 SOCKET HEAD SCREW M4X6 A2	VIS TC CRUCIFORME M4X6 A2 KR-SCHLITZSCHRAUBE ZK M4X6 A2	TORNILLO C/CIL CRUZ M4X6 A2
14	99950002 VITE T.CIL.CROCE ZIGR.SOTT.4X8 CROSSHEAD SCREW M4X8 A2	VIS TC CRUCIFORME M4X8 A2 KR-SCHLITZSCHRAUBE ZK M4X8 A2	TORNILLO C/CIL CRUZ M4X8 A2
15	99951022 PANNELLO TERMOISOL.22 LT HEAT INSULATING PANEL 22LT	PANNEAU THERMO-ISOLANT 22LT WÄRME ISOLIERENDE PANEL 22LT	PANEL AISLANTE DE CALOR 22LT



n. Code	Descrizione / Description	Description / Beschreibung	Descripción
16 99951021	PANNELLO TERMOIS.POST.17-22 REAR HEAT INSULATING PANEL 17-	ISOLANT THERMIQUE CONTRE-FEU 1 RÜCKSEITE WÄRME ISOLIEREND 17-	PANEL AISLANTE DE CALOR 17-22L
17 97780158	TARGA MASSA D=10MM FONDO GROUND PLATE D=10MM	PLAQUE MASSE D=10MM SCHILD ERDUNG	PLACA MASA
18 97815248	MOLLA C D7,3 DF 1 LF10 D7.3 DF 1 LF10 C SPRING	RESSORT C D7,3 DF 1 LF10 FEDER C D7,3 DF 1 LF10	MUELLE C D7,3 DF 1 LF10
19 FM111C440	VITE TCEI M4X40 ZINC TCEI SCREW M4X40 GALV	VIS TCHC M4X40 ZING SCHRAUBE TCEI M4X40 VERZ	TORNILLO TCEI M4X40 CINC
20 99951476	STAFFA FULCRO PIVOT BRACKET	ETRIER CENTRE ANSCHWENKBÜGEL	SOPORTE FULCRO
21 51232019	VITE TCEI M10X20 8.8 SCREW TCEI M10X20 8.8	VIS TCEI M10X20 8.8 SCHRAUBE TCEI M10X20 8.8	TORNILLO TCEI M10X20 8.8
22 53104124	NON FORNIBILE NOT AVAILABLE	NON DISPONIBILE A LA VENTE NICHT LIEFERBAR	NO SUMINISTRABLE
23 99951467	DISTANZIALE LATO CERNIERA HINGE SIDE SPACER	ENTRETOISE COTE CHARNIERE Distanzst. Scharnierseite	DISTANCIADOR LADO CREMALLERA
24 51262070	VITE T/BOMB EI M4X10 INOX T/BOMB SCREW EI M4X10 INOX	VIS T.BOMBÉE EI M4X10 INOX LINSKOPFSCHRAUBE EI M4X10 ED	TORNILLO C/ABOMB. EI M4X10 ACE
25 95530864	ASS GRUPPO CALDAIA 17-22 L ASS GRUPPO CALDAIA 17-22 L	ASS GRUPPO CALDAIA 17-22 L ASS GRUPPO CALDAIA 17-22 L	ASS GRUPPO CALDAIA 17-22 L
26 95530817	ASS GRUPPO CHIUSURA A VITE SCREW CLOSING GROUP	GR. FERMETURE A VIS SCHRAUBENSCHLISSGRUPPE	JUN.GR.CIERRE A TORNILLO
27 97467185	COPERTURA CONNETTORI CONNECTORS COVER	COUVERTURE CONNECTEURS ABDECKUNG STECKVERBINDER	COBERTURA CONECTORES
28 99951446	DADO FISS. DIFFUSORE DIFFUSER FIXING NUT	VIS FISS. DIFFUSEUR BEF.MUTTER STREUSCHEIBE	TORN. FIJ. DIFUSOR
30 53135028	ROND DENT EST D 4 Z.D.BIANCA INDENT.WASHER EST D 4 Z.D.WHIT	RONDELLE DENTELÉE EXT D 4 G.D. ZAHNSCHEIBE AUSS. D 4 Z.D.WEIS	ARAND. DENT. EXT. D 4 C.D. BLA

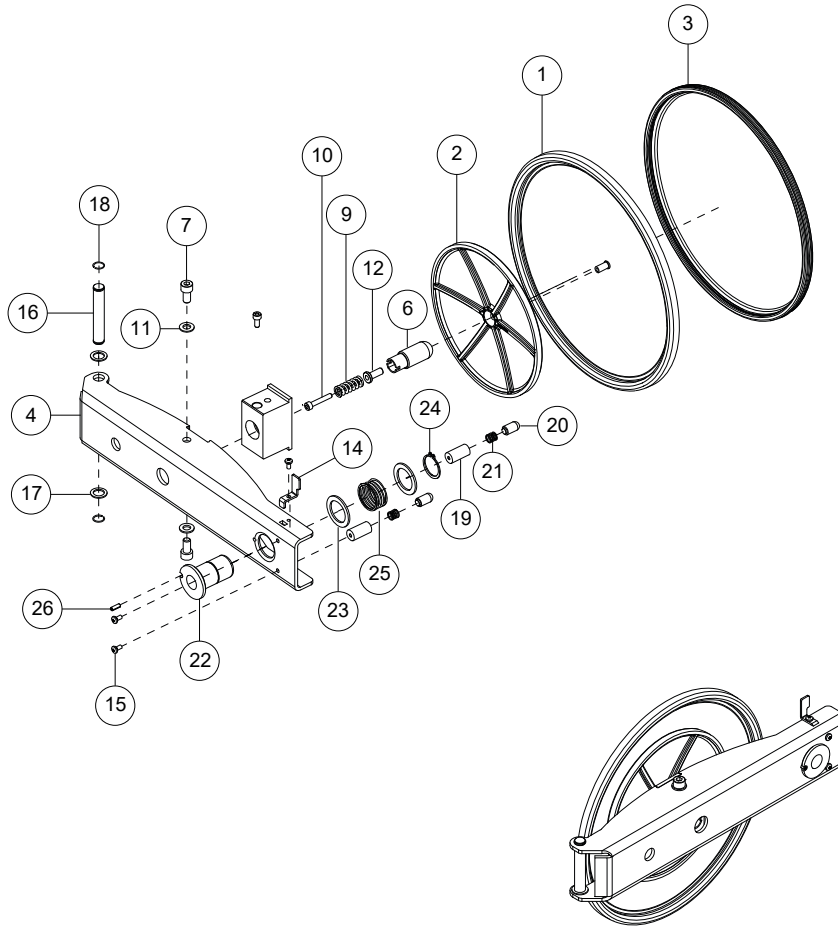


n. Code	Descrizione / Description	Description / Beschreibung	Descripción
31 51272004	GRANO EI M5X6 PI 12.9 GRUB SCREW EI M5X6 PI 12.9	VIS. EI M5X6 PI 12.9 GEWINDESTIFT EI M5X6 PI 12.9	TORN. EI M5X6 PI 12.9
34 97650043	ETCHED FOIL 22LT 115+115V ETCHED FOIL RESISTOR 22LT 115	ETCHED FOIL RÉSISTANCE 22LT 11 ETCHED FOIL WIDERSTAND 22LT 11	ETCHED FOIL RESISTENCIA 22LT 1
35 99950987	RACC PORTAFILTRO CON INTAGL FILTER CARRIER COUPL W/CUTTING	RACC.PORTE-FILTRE AVEC CRÉNEAU ANSCHL. FILTERHALTER MIT NUT	CONEX PORTAFILTRO CON CORTE
36 97290210	FILTRO ASS SERBATOIO TANK WATER FILTER	FILTRE EAU RÉSERVOIR FILTER FÜR WASSER BEHÄLTER	FILTRO AGUA DEPÓSITO
37 99950948	RACC. P.GOMMA DIR M G1/8 D7,9 M G1/8 D7.9 STR HOSE CONNECTR	RACC.P.-TUYAU DR.M G1/8 D7,9 GER. SCHL.ANSCHL. M G1/8 D7,9	CONEX PORTAG RECT M G1/8 D7,9
38 95509175	KIT RICAMBIO PT1000 PT100 SPAREPART KIT	KIT RECHANGE PT1000 ERSATZKIT PT100	KIT RECAMBIO PT1000
39 95509245	COLL. CALDAIA_MPX TUBO TELATO REINF. HOSE MPX_BOILER CONN.	COLL. CHAUD_MPX TUYAU BACHÉ BUND KESSEL_MPX SCHL M. GEWEB.	COL. CALDERA_MPX TUBO DE LIENZ
40 97668171	SONDA PT1000 D.4X50 (PT3) PT1000 D.4X50 (PT3) PROBE	SONDE PT1000 D.4X50 (PT3) PROBE PT1000 D.4X50 (PT3)	SONDA PT1000 D.4X50 (PT3)

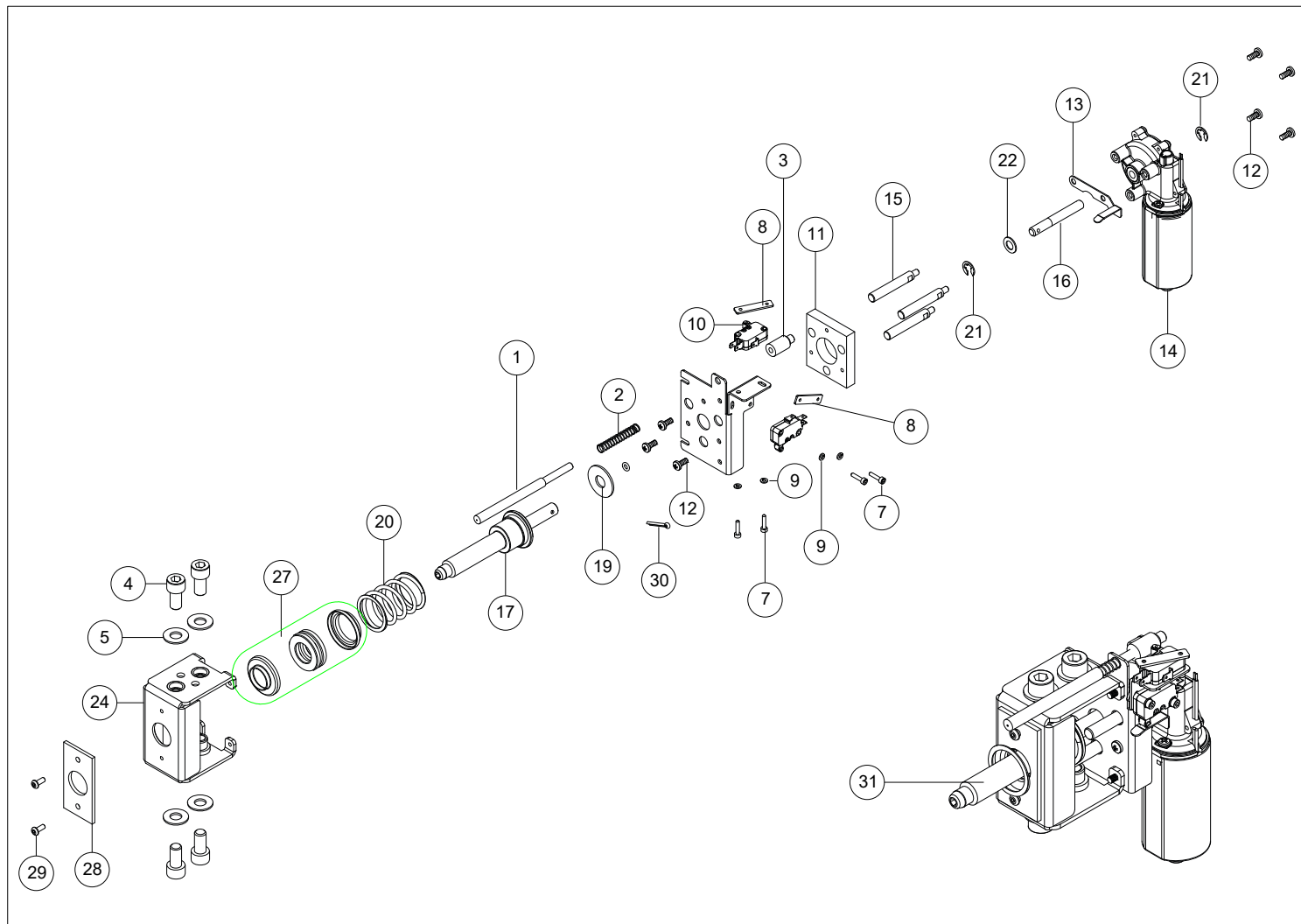


n. Code	Descrizione / Description	Description / Beschreibung	Descripción
1 99951894	PORTHOLE 17-22L PORTHOLE 17-22L	PORTE 17-22L PORTHOLE 17-22L	PUERTA 17-22L
2 99951523	FLANGIA FLANGIA	FLANGIA FLANGIA	FLANGIA
3 97400145	GUARNIZCALDAIA 40/HT-S BOILER GASKET 40/HT-S	JOINT CHAUDIERE 40/HT-S KESSEL DICHTUNG 40/HT-S	JUNTA CALDERA 40/HT-S
4 99950982	TRAVERSA CHIUSURA A VITE CROSS SCREW BAR	TRAVERSER BARRE VISSÉE KREUZ SCHRAUBE BAR	CRUZ TORNILLO BARRA
6 99951219	INSERTO SFERICO SPHERICAL INSERT	INSERT SPHERIQUE KUGELEINSATZ	INSERTO ESFERICO
7 51232089	VITE TCEI M8X16 8.8 M8X16 8.8 TCEI SCREW	VIS TCEI M8X16 8.8 SCHRAUBE TCEI M8X16 8.8	TORNILLO TCEI M8X16 8.8
9 97815262	MOLLA PER OBLO' WINDOW SPRING	RESSORT SPHERE FENSTERFEDER	RESORTE PARA VENTANILLA
10 51232535	NON FORNIBILE NON FORNIBILE	NON FORNIBILE NON FORNIBILE	NON FORNIBILE
11 53104015	ROND D8.4X16 S1.6 R40 WASHER 8.4X17 S 1.6 R40	RONDELLE 8.4X17 S 1.6 R40 BEILEGSCHIEBE 8.4X17 S 1.6	ARAND. D8,4X16 S1,6 R40
12 99951221	BOCCOLA BOCCOLA	BOCCOLA BOCCOLA	BOCCOLA
14 99950984	ANGOLARE ANGULAR BRACKET	SUPPORT ANGULAIRE ECKIGE KLAMMER	SOPORTE ANGULAR
15 99950002	VITE T.CIL.CROCE ZIGR.SOTT.4X8 CROSSHEAD SCREW M4X8 A2	VIS TC CRUCIFORME M4X8 A2 KR-SCHLITZSCHRAUBE ZK M4X8 A2	TORNILLO C/CIL CRUZ M4X8 A2
16 99950986	PERNO CERNIERA HINGE PIN	AXE DE CHARNIÈRE KUPPLUNGSSTAB	PASADOR DE LA BISAGRA
17 53104137	RONDELLE D'APPOGGIO TIPO SS SUPPORT WASHERS TYPE SS	APPUI RONDELLES TYPE SS UNTERSTÜTZUNG WASCHMASCHINEN T	ARANDELAS DE APOYO TIPO SS

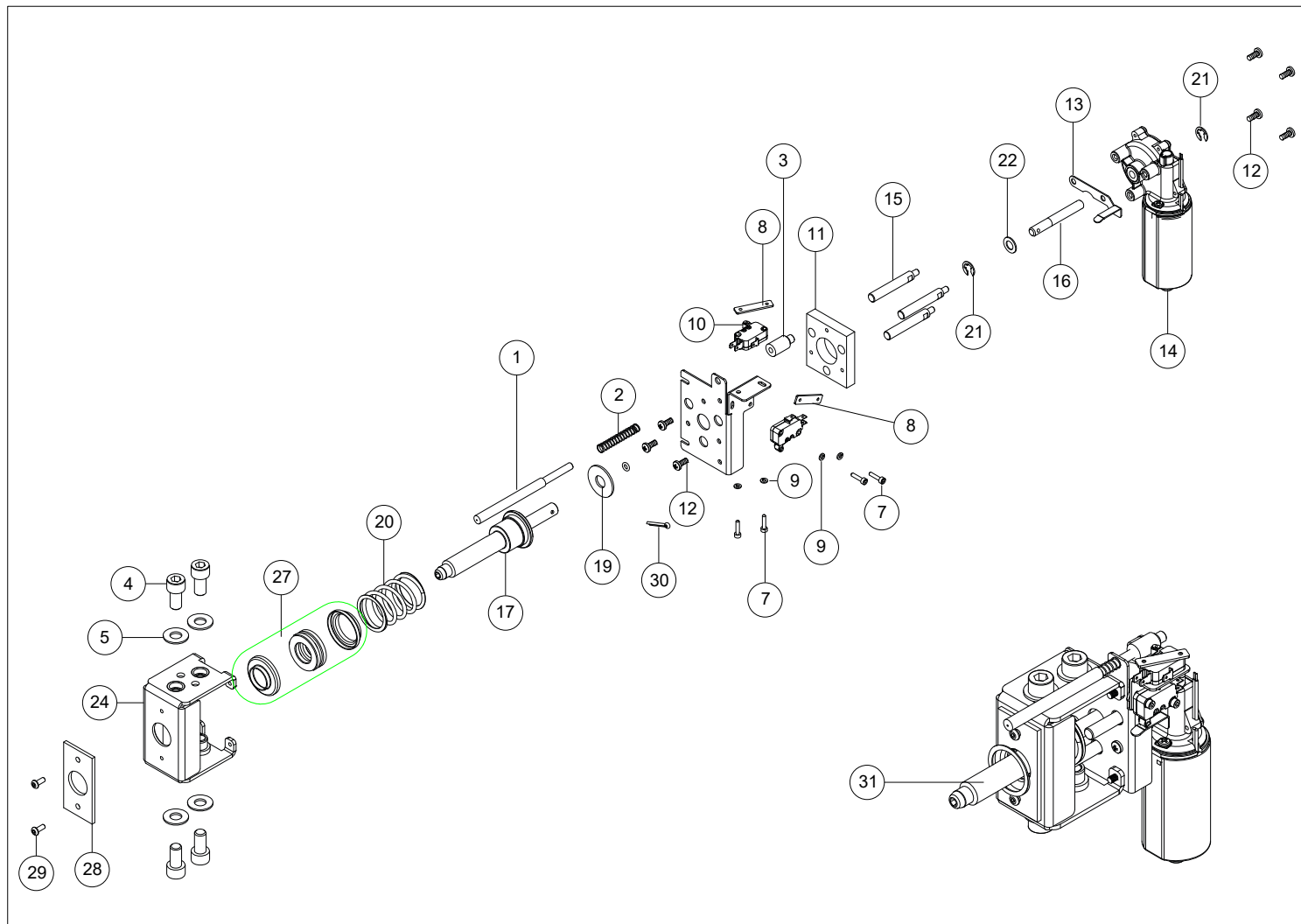




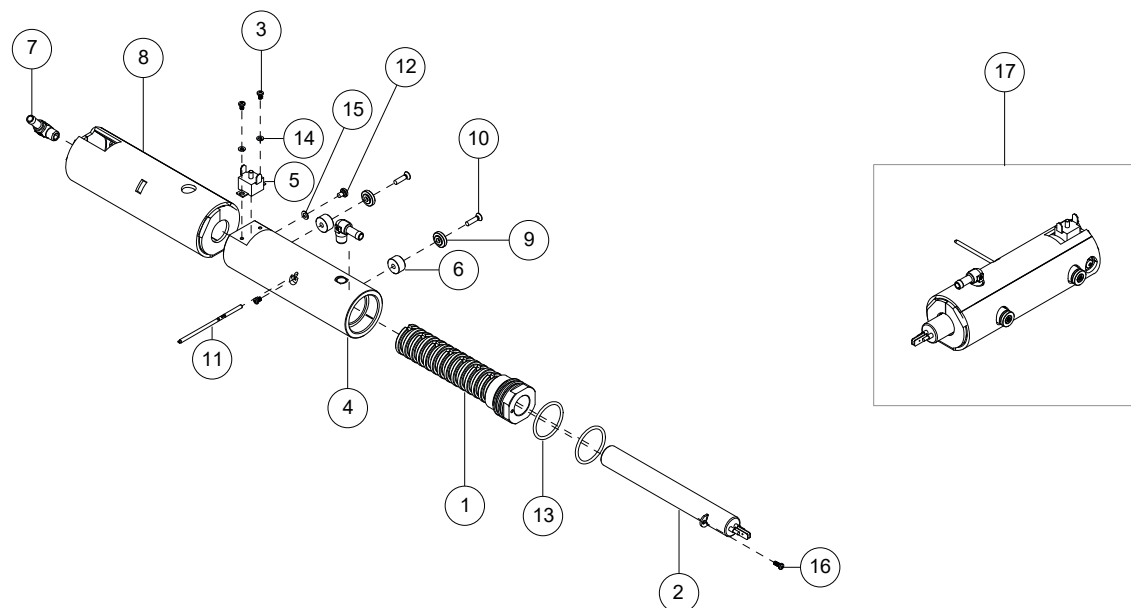
n. Code	Descrizione / Description	Description / Beschreibung	Descripción
18 97200197	ANELLO ARRESTO ALBERO D=12 STOPPING SHAFT RING D=12	ARRET ARBRE BAGUE D=12 STOPPING RING WELLE D=12	DETENER EL EJE DE ANILLO D=12
19 99951044	SUPPORTO SPINTORE SUPPORT PUSHER	POUSSOIR DE SOUTIEN UNTERSTÜTZUNG-SCHIEBER	EMPUJADOR DE APOYO
20 99951043	SPINTORE PUSHER	POUSSOIR SCHIEBER	EMPUJADOR
21 97815199	MOLLA GUIDA CINGHIA BELT GUIDE SPRING	CEINTURE GUIDE RESSORT GÜRTEL-GUIDE-FRÜHLING	CORREA GUÍA DE PRIMAVERA
22 99950963	BOCCOLA TR 16X3 BUSHING TR 16X3	BAGUE TR 16X3 STECKHÜLSE-TR 16X3	BUJE TR 16X3
23 53107027	ROSETTA DI 26.1 DE 36.8 SP 2 SPECIAL WASHER ROSETTE DESIGN	ROSETTE RONDELLE SPÉCIALE DESI SPEZIELLE WASCHMASCHINE ROSETT	ARANDELA ESPECIAL ROSETA DISEÑ
24 55121015	ANELLO SEEGER X ALB D 25 RING SEEGER X ALB D 25	ANNEAU SEEGER X ALB D 25 SEEGER-RING FÜR WELLE D 25	ANILLO SEEGER X ALB D 25
25 97815244	MOLLA BOCCOLA SPRING BUSHING	BAGUE PRINTEMPS FRÜHLING-BUSHING	BUJE DE RESORTE
26 54302017	SPINA TUB ELAS D 4X12 ELASTIC HOSE PLUG D 4X12	GOUP. TUBE ELAST. D 4X12 SCHLAUCHSTECKER D 4X12	PASADOR TUB. ELÁS. D 4X12



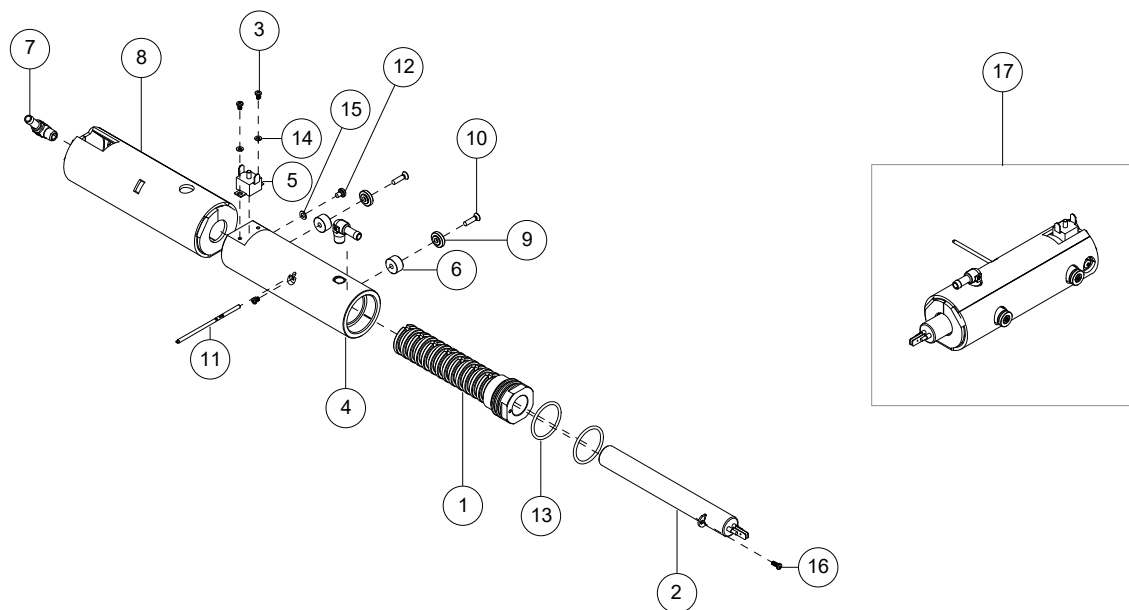
n. Code	Descrizione / Description	Description / Beschreibung	Descripción
1 99951400	PERNO MICRO PORTA PERNO MICRO PORTA	PERNO MICRO PORTA PERNO MICRO PORTA	PERNO MICRO PORTA
2 97815245	MOLLA MICRO MICRO SPRING	MICRO RESSORT MICRO-FRÜHLING	MICRO RESORTE
3 99951402	TESTINA TERMINALE PERNO AZION TESTINA TERMINALE PERNO AZION	TESTINA TERMINALE PERNO AZION TESTINA TERMINALE PERNO AZION	TESTINA TERMINALE PERNO AZION
4 51232019	VITE TCEI M10X20 8.8 SCREW TCEI M10X20 8.8	VIS TCEI M10X20 8.8 SCHRAUBE TCEI M10X20 8.8	TORNILLO TCEI M10X20 8.8
5 53104124	NON FORNIBILE NOT AVAILABLE	NON DISPONIBILE A LA VENDE NICHT LIEFERBAR	NO SUMINISTRABLE
6 99951547	LAMIERA SUPPORTO MICRO LAMIERA SUPPORTO MICRO	LAMIERA SUPPORTO MICRO LAMIERA SUPPORTO MICRO	LAMIERA SUPPORTO MICRO
7 51232130	VITE TCEI M3X14 8.8 M3X14 8.8 TCEI SCREW	VIS TCEI M3X14 8.8 SCHRAUBE TCEI M3X14 8.8	TORNILLO TCEI M3 X14 8.8
8 99951368	PIASTRINO RISC. MICRO MICRO HEATING PLATE	PLAQUE CHAUF. MICRO PLÄTTCHEN ERWÄRM. MIKRO	PLACA CALEF. MICRO
9 53113001	ROND ELAS GROWER X M3 ELAS GROWER WASHER X M3	RONDELLE ELAS GROWER X M3 BEILEGSCHIEBE ELAS GROWER X M3	ARANDELA ELAS GROWE X M3
10 97668137	MICROINTERRUTT.D3V-015-1C23 D3V-015-1C23 MICROSWITCH	MICROCONTACT D3V-015-1C23 MIKROSCHALTER D3V-015-1C23	MICROINTERRUPT D3V-015-1C23
11 99951401	PIASTRA MOTORIDUTTORE MOTOREDCER PLATE	MOTOREDCER PLATE MOTOREDCER PLATE	MOTOREDCER PLATE
12 51237028	VITE TC CROCE M4X10 4.8 M4X10 8.8 TC CROSS SCREW	VIS TC CROIX M4X10 8.8 M4X10 8.8 TC SCHRAUBE	TORNILLO TC CRUZ M4X10 8.8
13 99951548	LAMIERA ATTIVAZIONE MICRO LAMIERA ATTIVAZIONE MICRO	LAMIERA ATTIVAZIONE MICRO LAMIERA ATTIVAZIONE MICRO	LAMIERA ATTIVAZIONE MICRO
14 97217900	MOTORIDUTTORE GRUPPO CHIUSURA SEEFRID 634.019DCGM43T42 MOT	MOTEU.SEEFRID 634.019DCGM43T42 MOT. SEEFRID 634.019DCGM43T42	MOTOR SEEFRID 634.019DCGM43T42



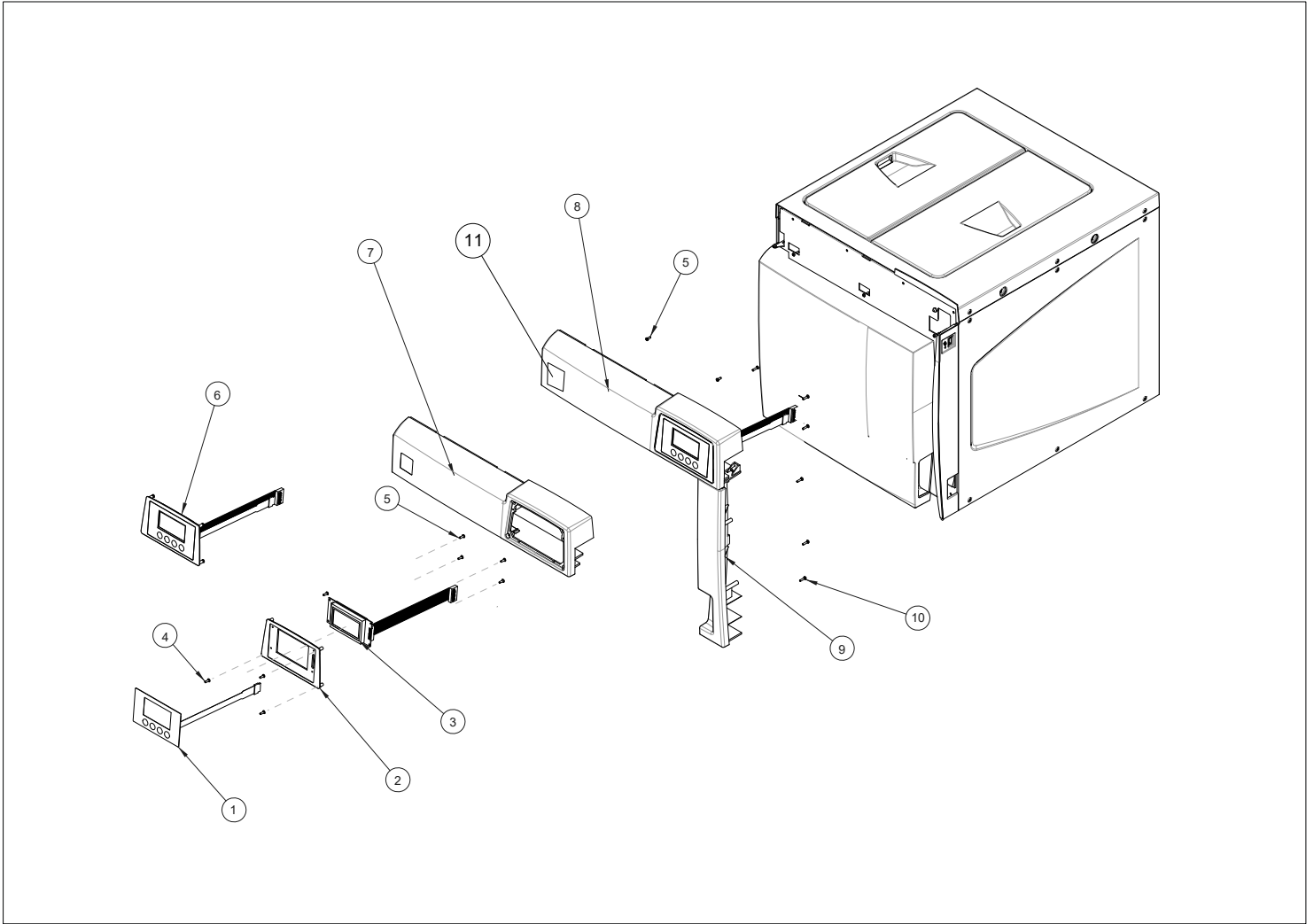
n. Code	Descrizione / Description	Description / Beschreibung	Descripción
15 99951398	GUIDA MOTORIDUTTORE MOTOREDCER GUIDE	GUIDE MOTOREDUCTEUR GETRIEBEMOTORENFUEHRUNG	GUIA MOTORREDUCTOR
16 99950975	ALBERO SCANALATO DIN 5481 SPLINED SHAFT DIN5481	ARBRE CANNELE' DIN5481 VERZAHNTE WELLE DIN5481	EJE ESTRIADO DIN5481
17 99951397	PERNO FILETTATO TR 16X3 16X3 TR THREADED PIN	PIVOT FILETAGE TR 16X3 GEWINDESTIFT TR 16X3	PERNO FILETE TR 16X3
19 99950966	ANELLO RING	ANNEAU RING	ANILLO
20 97815282	MOLLA SISTEMA DI AGGANCIO COUPLING SYSTEM SPRING	RESSORT SYSTEME D'ACCROCHAGE FEDER KUPPLUNGSSYSTEM	MUELLE SISTEMA DE ACOPLAMIENTO
21 55103004	ANELLO BENZIG RS7 RS7 BENZIG RING	ANNEAU BENZIG RS7 RS7 BENZIG RING	ANILLO BENZIN RS7
22 53113026	ROSETTA ELASTIC D=8 DIN137B ELASTIC WASHER D = 8 DIN137B	RONDELLE ÉLASTIQUE D = 8 DIN13 ELASTISCHE SCHEIBE D = 8 DIN13	ARANDELA ELÁSTICA D = 8 DIN137
23 97360800	OR 1,78x4,47 NBR 70 O RING 2018	JOINT OR 1,78X4,47 NBR 70 O-RING 2018	O ANILLO 2018
24 99951231	STAFFA SISTEMA CHIUSURA STAFFA SISTEMA CHIUSURA	STAFFA SISTEMA CHIUSURA STAFFA SISTEMA CHIUSURA	STAFFA SISTEMA CHIUSURA
27 95509151	ASSIEME RALLA SLEWING RING ASS.Y	GR.COURONNE D'ORIENTATION SCHEIBENGRUPPE	GR RANGUA
28 99951466	DISTANZIALE LATO CHIUSURA DISTANZIALE LATO CHIUSURA	DISTANZIALE LATO CHIUSURA DISTANZIALE LATO CHIUSURA	DISTANZIALE LATO CHIUSURA
29 51262070	VITE T/BOMB EI M4X10 INOX T/BOMB SCREW EI M4X10 INOX	VIS T.BOMBÉE EI M4X10 INOX LINSENKOPFSCHRAUBE EI M4X10 ED	TORNILLO C/ABOMB. EI M4X10 ACE
30 54601015	COPIGLIA INOX 3,2X20 3,2X20 INOX SPLIT PIN	GOUPILLE 3,2X20 INOX SPLINT EDELSTAHL 3,2X20	CHAVETA ACERO INOXIDABLE 3,2X2
31 95530817	ASS GRUPPO CHIUSURA A VITE SCREW CLOSING GROUP	GR. FERMETURE A VIS SCHRAUBENSCHLIESSGRUPPE	JUN.GR.CIERRE A TORNILLO



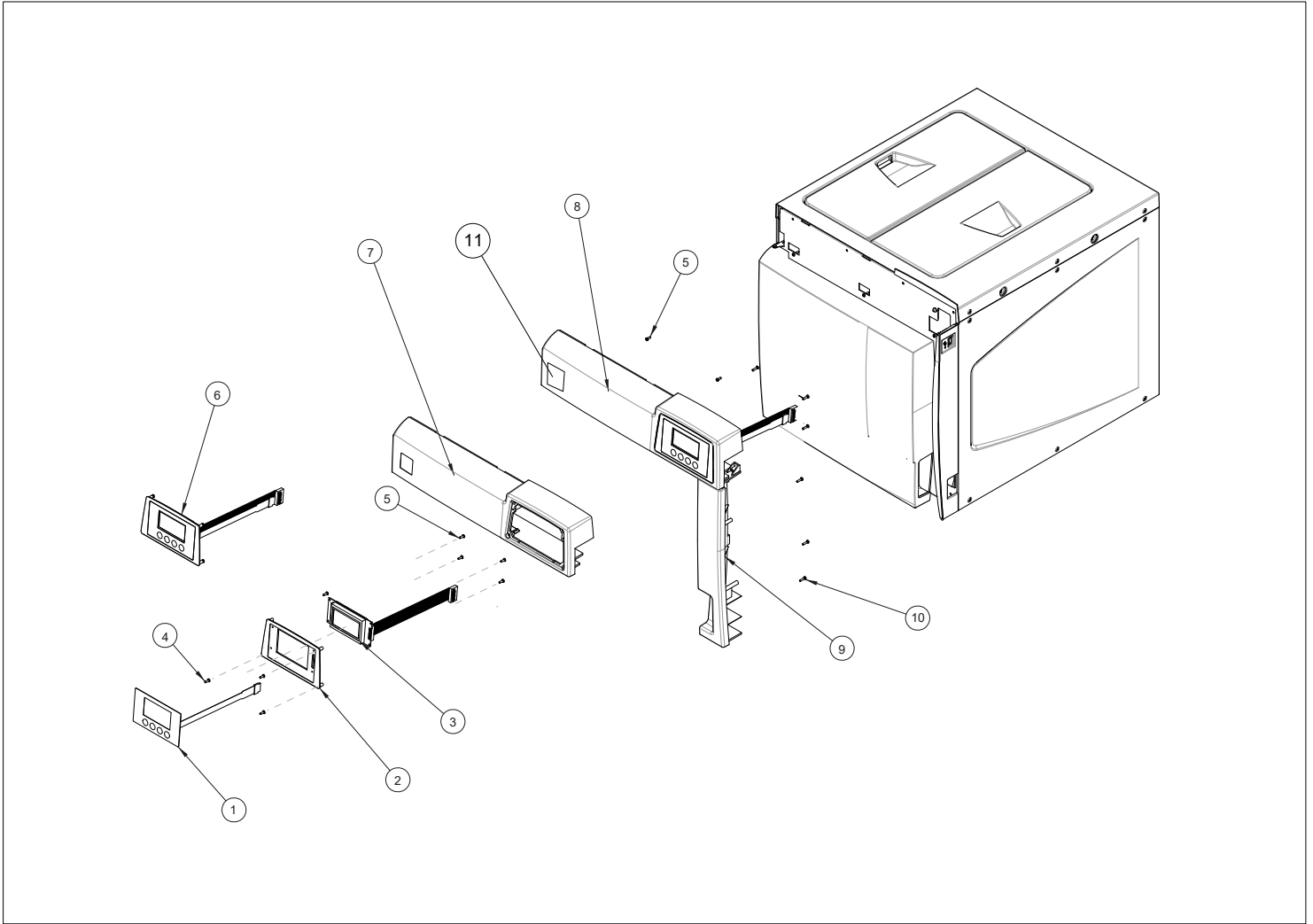
n. Code	Descrizione / Description	Description / Beschreibung	Descripción
1 99950992	CORPO INTERNO GENERATORE GENERATOR INSIDE BODY	CORPS INT. GÉNÉRATEUR INNENKÖRPER GENERATOR	CUERPO INTERNO GENERADOR
2 97650041	RESISTENZA 230V - 2000W RESISTANCE 230V - 200W	RESISTANCE 230V - 200W STANDFESTIGKEIT 230V - 200W	RESISTENCIA 230 V - 2000W
3 51237059	VITE TC CROCE M3X5 ZINC.BIANC SCREW TC CROCE M3X5 ZINC.BIANC	VIS TC CROCE M3X5 ZINC.BIANC KREUZKOPFSCHRAUBE M3X5 VERZINK	TORNILLO TC PHILLIPS M3X5 CINC
4 99950993	CORPO ESTERNO GENERATORE GENERATOR OUTSIDE BODY	CORPS EXT. GÉNÉRATEUR AUSSENKÖRPER GENERATOR	CUERPO ESTERNO GENERADOR
5 97730021	TERMOSTATO SICUREZZ 220°C NERO 220 DEGREES C SAFETY THERMO-SW	THERMOSTAT DE SÉCURITÉ 220°C SICHERHEITSTHERMOSTAT 220°C	TERMOSTATO SEGURIDAD 220°C
6 99950990	DISTANZIALE SPACER	ÉPAISSEUR ABSTANDSTÜCK	DISTANCIADOR
7 99950946	RACC. P.GOMMA ANG M G1/8 D7,9 M G1/8 D7.9 ANG HOSE CONNECTR	RACC.P.TUYAU COUDÉ M G1/8 D7,9 WINKELSCHL.ANSCHL. M G1/8 D7,9	CONEX PORTAG ANG M G1/8 D7,9
8 97901502	COPERTURA ISOLAN.GENERATORE GENERATOR INSULAT. COVER	CARTER ISOL.GÉNÉRATEUR ABDICHTUNG GENERATOR	COBERTURA AISLANTE GENERADOR
9 99950991	DISTANZIALE SPACER	ÉPAISSEUR ABSTANDSTÜCK	DISTANCIADOR
10 51247021	VITE TPS CROCE M4X16 A2 CSK CROSSHEAD SCR M4X16 A2	VIS TF PLATE CRUCIF.M4X16 A2 SENKSCHRAUBE M KREUZ. M4X16 A2	TORN C/PLANA AVELL CR M4X16 A2
11 97668139	SENSORE PT1000 GEN. VAPORE PT1000 STEAM GEN. SENSOR	CAPTEUR PT1000 GÉN. VAPEUR SENSOR PT1000 DAMPFGEN.	SENSOR PT1000 GEN VAPOR
12 99950001	VITE T.CIL.CROCE ZIGR.SOTT.4X6 SOCKET HEAD SCREW M4X6 A2	VIS TC CRUCIFORME M4X6 A2 KR-SCHLITZSCHRAUBE ZK M4X6 A2	TORNILLO C/CIL CRUZ M4X6 A2
13 97378400	OR 32,99X2,62 FKM 75SH OR PARKER P/N 2-125 V0747	JOINT TOR.PARKER P/N 2-125 V07 O-RING 32,99X2,62 FKM 75SH	OR 32,99X2,62 FKM 75SH
14 53113001	ROND ELAS GROWER X M3 ELAS GROWER WASHER X M3	RONDELLE ELAS GROWER X M3 BEILEGSCHIBE ELAS GROWER X M3	ARANDELA ELAS GROWE X M3



n. Code	Descrizione / Description	Description / Beschreibung	Descripción
15 53135028	ROND DENT EST D 4 Z.D.BIANCA INDENT.WASHER EST D 4 Z.D.WHIT	RONDELLE DENTELÉE EXT D 4 G.D. ZAHNSCHEIBE AUSS. D 4 Z.D.WEIS	ARAND. DENT. EXT. D 4 C.D. BLA
16 51237018	VITE TC CROCE M3X12 4.8 ZINC VITE TC CROCE M3X12 4.8 ZINC	VITE TC CROCE M3X12 4.8 ZINC VITE TC CROCE M3X12 4.8 ZINC	VITE TC CROCE M3X12 4.8 ZINC
17 95530803	ASS GENER. VAPORE 230V 50/60HZ STEAM GENERATOR GR. 230V	GR.GENERATEUR DE VAPEUR 230V DAMPFGENERATOR ASS	GR. GENERADOR DE VAPOR 230V
17 95530926	ASS GENER. VAPORE 120V 60HZ STEAM GENER. ASSY 120V 60HZ	ENS. GÉNÉR. VAPEUR 120V 60HZ ALLG. BAUGR. DAMPF 120V 60HZ	CONJ. GENER. VAPOR 120 V 60 HZ

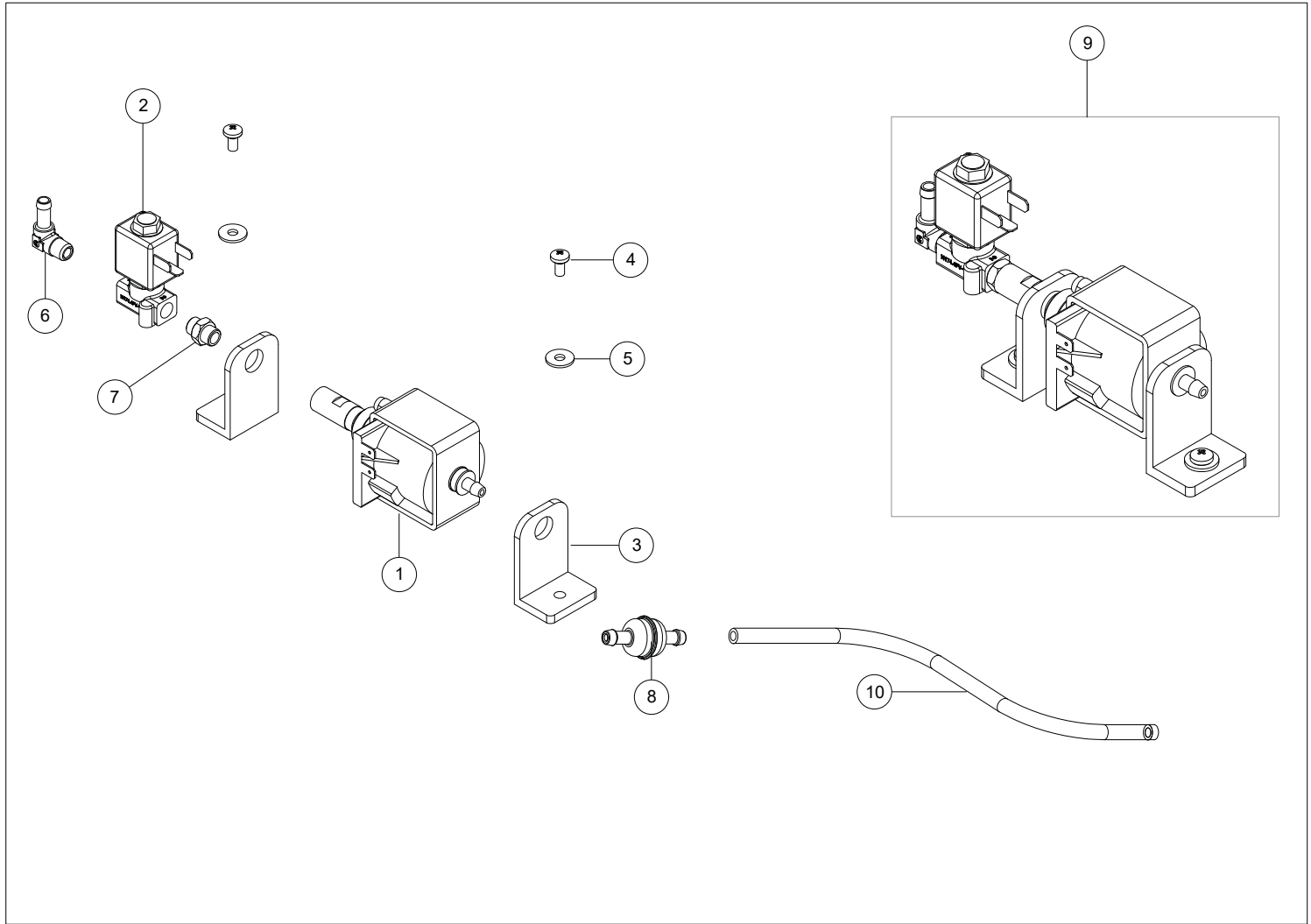


n. Code	Descrizione / Description	Description / Beschreibung	Descripción
1 97620343	PULSANTIERA CLASSIC MOCOM MOCOM CLASSIC KEYBOARD	CLAVIER CLASSIC MOCOM MOCOM CLASSIC DRUCKKNOPFSCHALT	BOTONERA CLASSIC MOCOM
2 97467129	CORNICE DISPLAY ENTRY ENTRY DISPLAY MOULDING	CADRE AFFICHEUR ENTRÉE/GAMME DISPLAYRAHMEN ENTRY	MARCO DISPLAY ENTRY LEVEL
3 97661272	LCD GRAFICO BLU CABLATO WIRED BLUE GRAPH. LCD	LCD GRAPHIQUE BLEU CÂBLÉ GRAFIK-LCD BLAU VERKABELT	LCD GRÁFICO AZUL CABLEADO
4 51537012	VITE A-P T/BOMB CRO D3SPX08 SCREW AUT TC CRO D3SPX8	VIS AUT TC CRO D3SPX8 SCHRAUBE AUT TC CRO D3SPX8	TORNILLO A-P T/BOM CRO D3SPX08
5 51437111	VITE AUT TC CRO #2,9X9,5 ST SCREW TC CRO #2,9X9,5	VIS AUTOT. TC CHRO #2,9X9,5 SELBSTS. KREUZKOPFSCHRAUBE #2.	TORNILLO AUT TC PHIL #2,9X9,5
6 95530430	ASS DISPLAY ENTRY ASS ENTRY DISPLAY	ASS AFFICHAGE ENTREE ASS EINTRAG ANZEIGEN	ASS PANTALLA ENTRADA
7 97467128	ASS FASCIA SUPERIORE UPPER COVER ASS	GR. CARTER SUPERIEUR GR. OBERE BLENDE	GR REGLETA SUPERIOR
8 95530441	ASS FASCIA SUPER BIANCA ASS CLASSIC UPPER WHITE STRIP	ASS CLASSIC BANDE BLANCHE SUPE ASS CLASSIC OBEREN WEISSEN STR	ASS CLASSIC FRANJA BLANCA SUPE
9 97467127	FASCIA LATERALE SIDE BAND	BANDE LATÉRALE SEITENANSICHT STIRNBAND	BANDA LATERAL
10 51467003	VITE AUT T/BOMB 3X12 A2 ROUND HEAD TAPPING SCR 3X12 A2	VIS AUTOT. TÊTE BOMBÉE 3X12 A2 LINSENKSCHEIDSCHRAUBE 3X12 A2	TORN AUT C/ABOMB 3X12 A2
11 97782591	ETICHETTA FRONT S CLASSIC-17 S CLASSIC-17 FRONT LABEL	ETIQUETTE FRONT. S CLASSIC-17 VORDERES S CLASSIC-17 SCHILD	PEGATINA FRONT. S CLASSIC-17
11 97782592	ETICHETTA FRONT S CLASSIC-22 S CLASSIC-22 FRONT LABEL	ETIQUETTE FRONT. S CLASSIC-22 VORDERES S CLASSIC-22 SCHILD	PEGATINA FRONT. S CLASSIC-22
11 97782593	ETICHETTA FRONT B CLASSIC-17 B CLASSIC-17 FRONT LABEL	ETIQUETTE FRONT.B CLASSIC-17 AUFKLEBER FRONT B CLASSIC-17	ETIQUETA FRONT.B CLASSIC-17
11 97782594	ETICHETTA FRONT B CLASSIC-22 B CLASSIC-22 FRONT LABEL	ETIQUETTE FRONT.B CLASSIC-22 AUFKLEBER FRONT B CLASSIC-22	ETIQUETA FRON.B CLASSIC-22

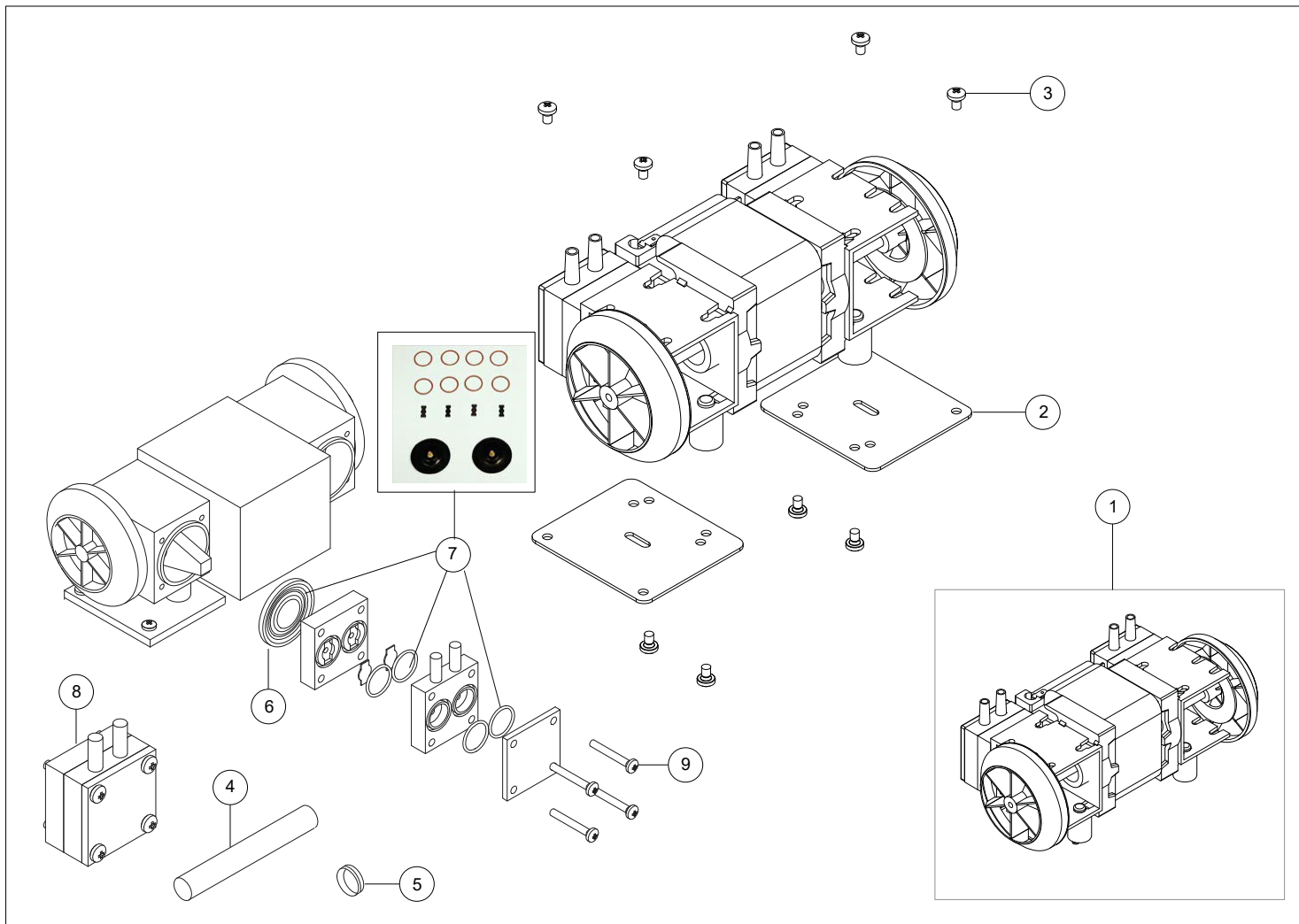


n. Code	Descrizione / Description	Description / Beschreibung	Descripción
11 97782595	ETICHETTA FRONT B CLASSIC-28 B CLASSIC-28 FRONT LABEL	ETIQUETTE FRONT.B CLASSIC-28 AUFKLEBER FRONT B CLASSIC-28	ETIQUETA FRONT.B CLASSIC-28

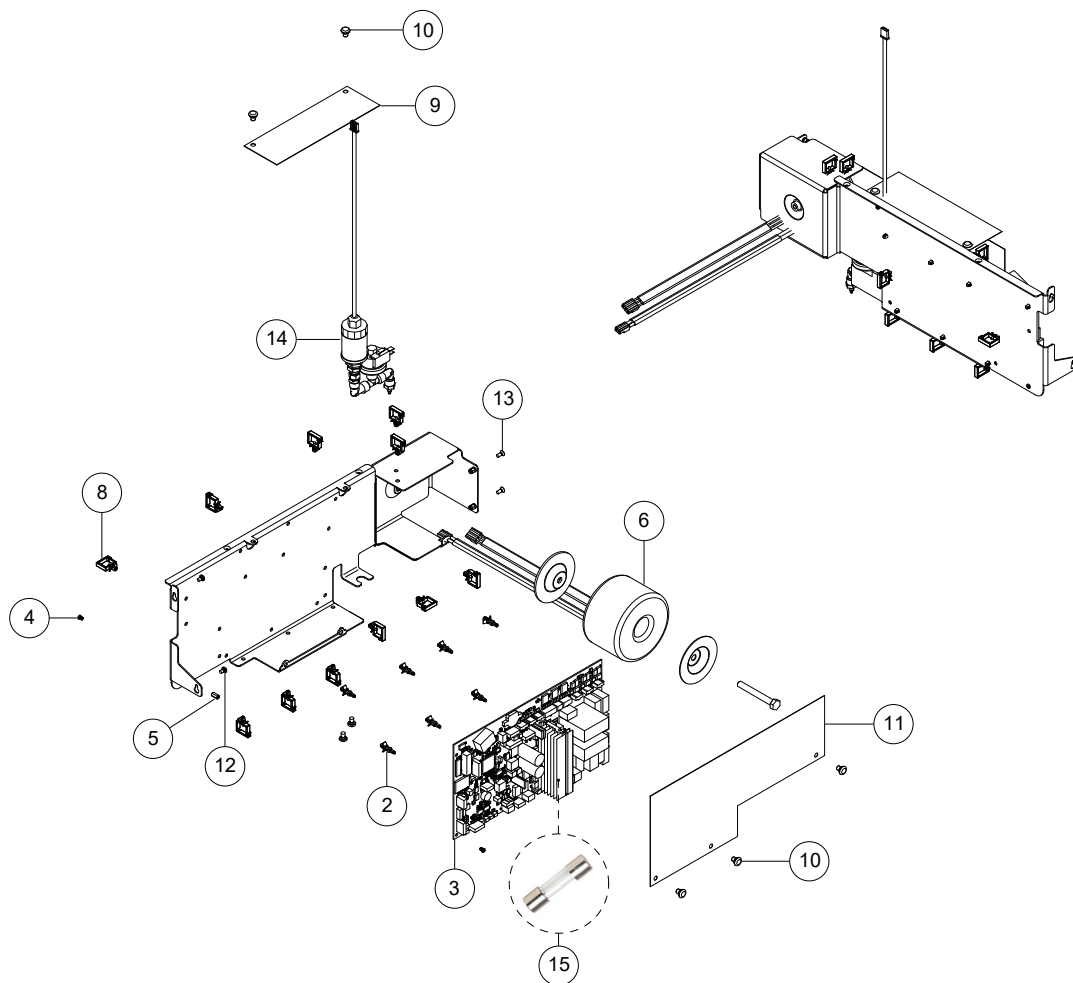




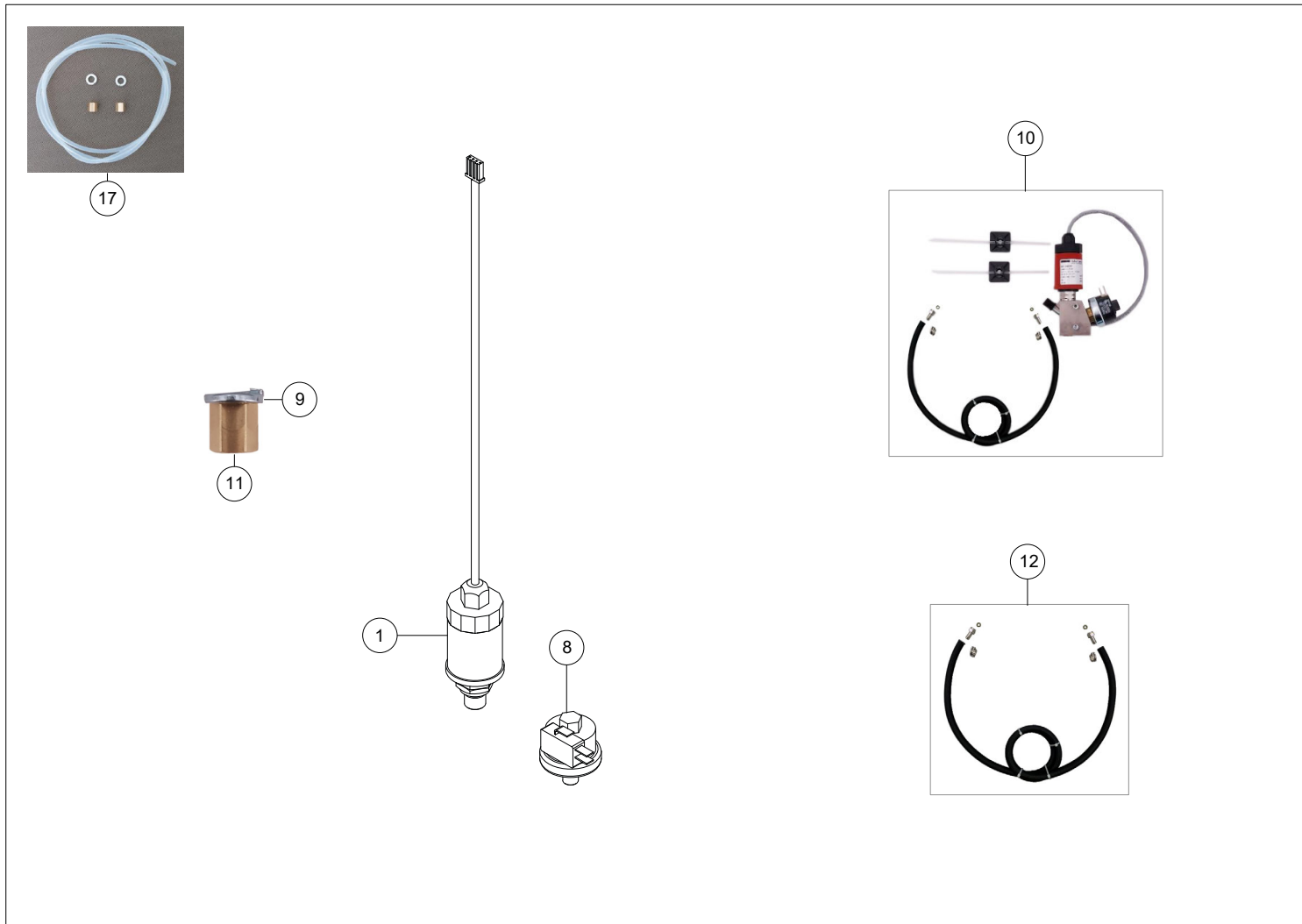
n. Code	Descrizione / Description	Description / Beschreibung	Descripción
1 97740151	POMPA VIBRAZ 24V-48W VIBRAT. PUMP 24V-48W	POMPE VIBRAT. 24V-48W VIBRATIONS PumPE 24V-48W	BOMBA VIBRAC 24V-48W
2 97720193	EV 2 VIE NC D=2.5 24VCC G1/8 2-WAY SV NC D=2.5 24VDC G1/8	EV 2 VOIES NF D=2.5 24VCC G1/8 EV 2 WEGE NC D=2.5 24VCC G1/8	EV 2 VIAS NC D=2.5 24VCC G1/8
3 97440043	SUPPORTO POMPA VIBRO VIBRO PUMP SUPPORT	SUPPORT DE POMPE DE VIBRO VIBRO-UNTERSTÜTZUNG FÜR FEUERL	VIBRO BOMBA SOPORTE
4 99950003	VITE T.CIL.CROCE ZIGR.SOT.5X10 CROSSHEAD SCREW M5X10 A2	VIS TC CRUCIFORME M5X10 A2 KR-SCHLITZSCHRAUBE ZK M5X10 A2	TORNILLO C/CIL CRUZ M5X10 A2
5 53104107	ROND D 6.6X18 S=2 ZINC WASHER D 6.6X18	RONDELLE D 6.6X18 SCHEIBE D 6.6X18	ARAND D 6.6X18
6 99950946	RACC. P.GOMMA ANG M G1/8 D7,9 M G1/8 D7.9 ANG HOSE CONNECTR	RACC.P.TUYAU COUDÉ M G1/8 D7,9 WINKELSCHL.ANSCHL. M G1/8 D7,9	CONEX PORTAG ANG M G1/8 D7,9
7 97960055	RACC NIPPO G1/8 L17 NIPPLE G1/8 L17	RACCORD NIPPLE G1/8 L17 NIPPELANSCHLUSS G1/8 L17	UNION NIPLE G1/8 L17
8 97290166	FILTRO ACQUA WATER FILTER	FILTRE A EAU WASSERFILTER	FILTRO AGUA
9 95530397	ASS POMPA VIBRO VIBRO PUMP ASS.	GR. POMPE VIBRO GR. PumPE VIBRO	GR BOMBA VIBRO
10 97340129	TUBO SILICONE 6X10 SILICONE PIPE 6 X 10	TUYAU SILICONE 6X10 SILIKONROHR 6X10	TUBO SILICONA 6X10



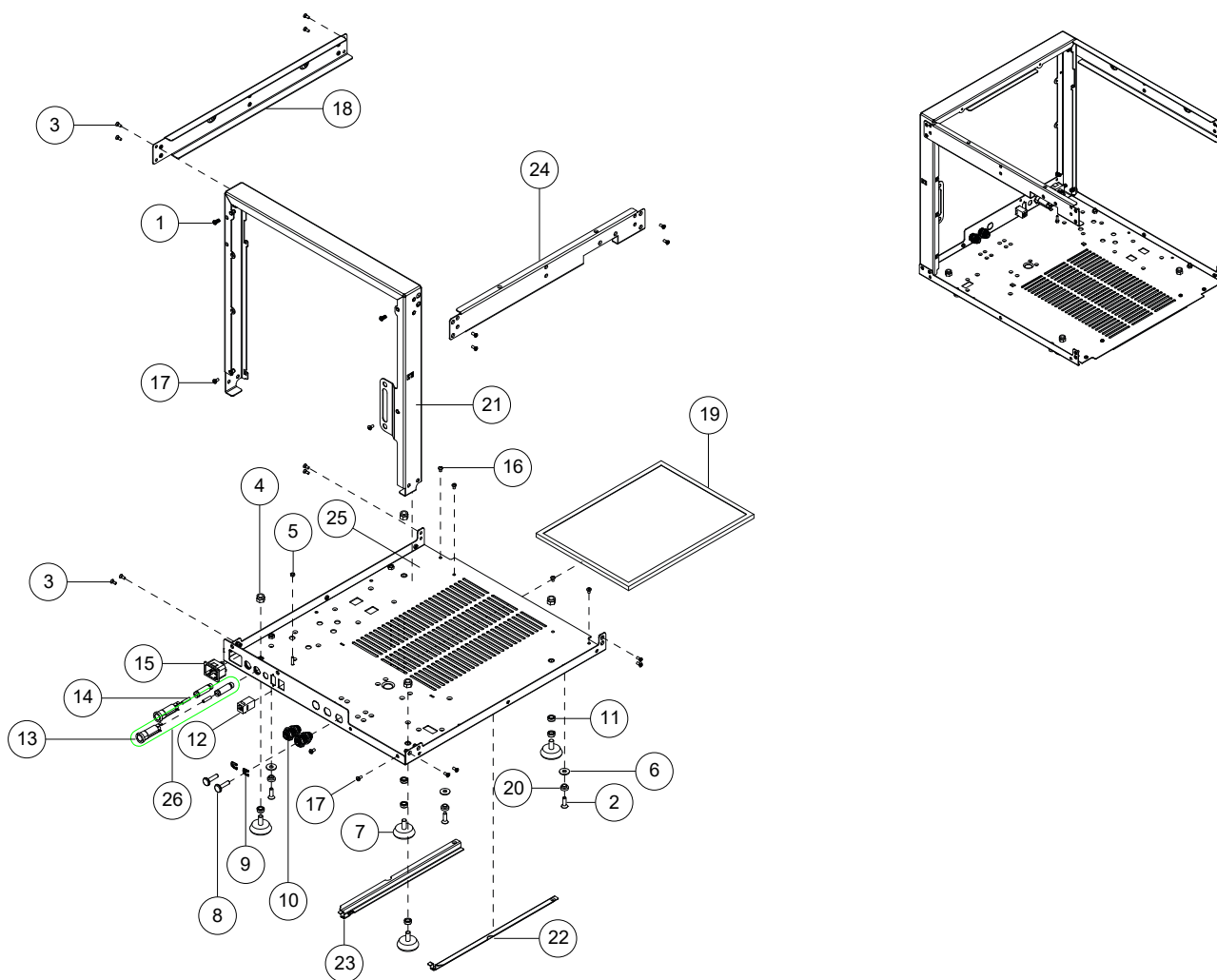
n. Code	Descrizione / Description	Description / Beschreibung	Descripción
1 95530400	ASS POMPA VUOTO H5P3 H5/P3 VACUUM PUMP ASSEMBLY	GR.POMPE A VIDE H5P3 LEERE PUMPE GR. H5P3	GR. BOMBA DE VACIO H5P3
2 99951474	PIASTRA FISSAGGIO POMPE PUMPS FIXING PLATE	PLAQUE FIX. POMPE BEFESTIGUNGSPLATTE PUMPEN	PLACA FIJ. BOMBA
3 99950001	VITE T.CIL.CROCE ZIGR.SOTT.4X6 SOCKET HEAD SCREW M4X6 A2	VIS TC CRUCIFORME M4X6 A2 KR-SCHLITZSCHRAUBE ZK M4X6 A2	TORNILLO C/CIL CRUZ M4X6 A2
4 97340131	TUBO SILICONE D=6X12 CALZ NERO SILICONE PIPE 6X12	TUYAU SILICONE 6X12 SILIKONROHR 6X12	TUBO SILICONA 6X12
5 97150004	FASCETTA CLIC 66-110 CLIC STRIP 66-110	BANDE CLIC 66-110 BAND CLIC 66-110	ABRAZADERA CLIC 66-110
6 97400136	MEMBRAN PER POMPA H-5/P-3 DIAPHRAGM FOR PUMP	MEMBRANE POUR POMPE MEMBRAN FÜR PUMPE	MEMBRANA PARA BOMBA
7 95509213	MANUTEN. COMPLETA POMPA H5P3 H5P3 PUMP COMPL.MAINTEN. KIT	KIT ENTRETIEN COMPL.POMPE H5P3 H5P3 PUMPE KOMPL.WARTUNGSKIT	KIT MANTEN.COMPL.BOMBA H5P3
8 97740166	TESTATA COMPL POMPA H-5/P-3 COMPLETE HEAD FOR PUMP	TETE COMPLETE POUR POMPE KOPFTEIL KOMPL. FÜR PUMPE	CABEZAL COMPL PARA BOMBA
9 99950002	VITE T.CIL.CROCE ZIGR.SOTT.4X8 CROSSHEAD SCREW M4X8 A2	VIS TC CRUCIFORME M4X8 A2 KR-SCHLITZSCHRAUBE ZK M4X8 A2	TORNILLO C/CIL CRUZ M4X8 A2



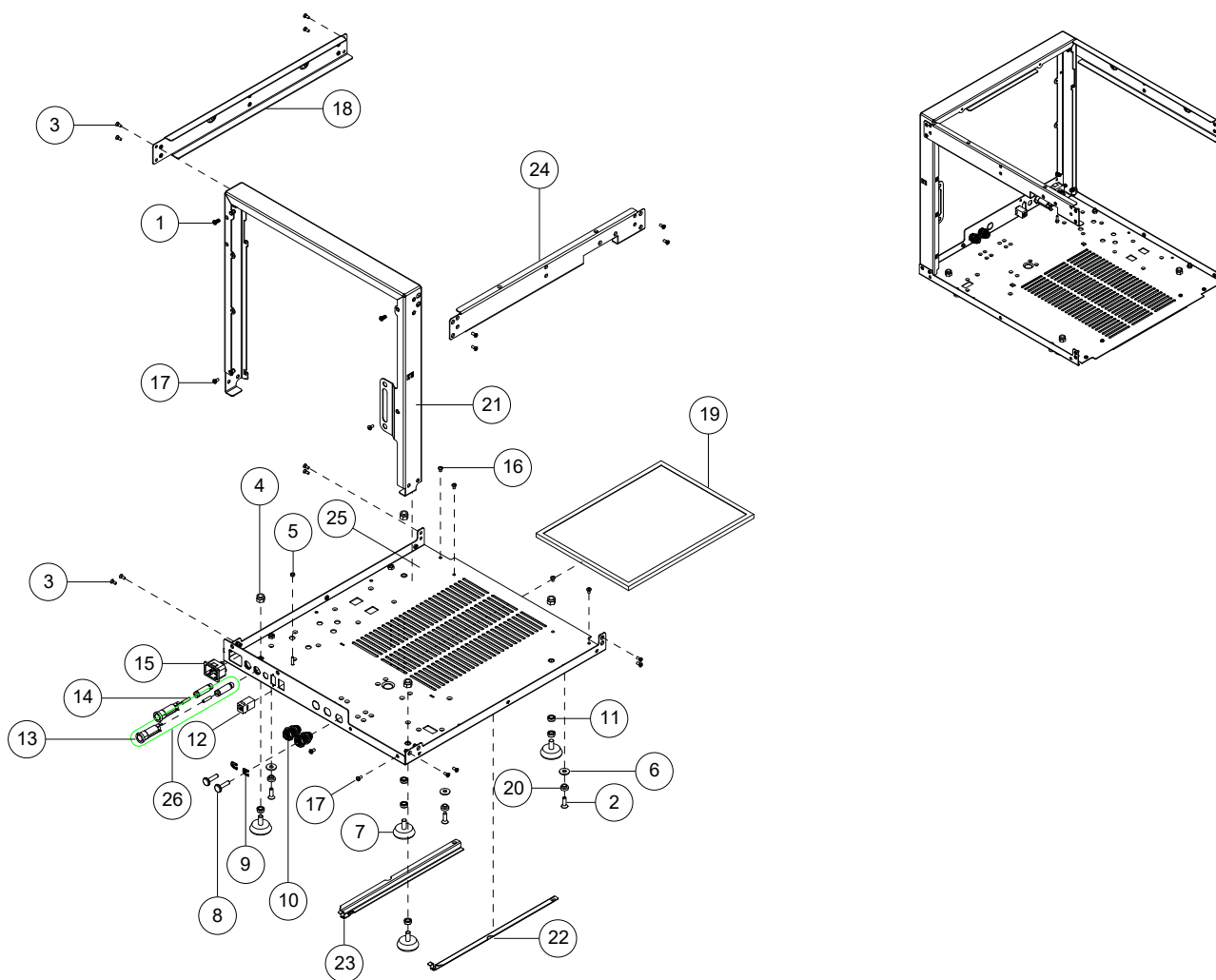
n. Code	Descrizione / Description	Description / Beschreibung	Descripción
2 97560149	SUPPORTO SCHEDA H9,5 CIRCUIT SUPPORT H9,5	SUPPORT PLATINE H9,5 PLATINE ABSTÜTZUNG H9,5	SOPORTE TARJ H9,5
3 97668177	SCHEDA DI PROCESSO AUTOCLAVE PROCESS BOARD	CARTE PROCESSUS AUTOCLAVE AUTOKLAVEN PROZESS-PLATINE	TARJETA PROCESO AUTOCLAVE
4 51237059	VITE TC CROCE M3X5 ZINC.BIANC SCREW TC CROCE M3X5 ZINC.BIANC	VIS TC CROCE M3X5 ZINC.BIANC KREUZKOPFSCHRAUBE M3X5 VERZINK	TORNILLO TC PHILLIPS M3X5 CINC
5 97560011	DISTANZ FF M3X10 SPACER FF M3X10	ENTRETOISE FF M3X10 DISTANZSTÜCK FF M3X10	DISTANC FF M3X10
6 97750185	TRASFORMATORE 0-120/220-240V TRANS.115/230V 220VA 50/60HZ	TRANSFORMATEUR 0-120/220-240V TRANSF.115/230V 220VA 50/60HZ	TRANS 115/230V 220VA 50/60HZ
7 51212219	VITE TE M8X65 ZINC 8.8 HEX HEAD SCREW M8X65 A2	VIS TH M8X65 A2 SECHSKANTSCHRAUBE M8X65 A2	TORN C/HEX M8X65 A2
8 97550103	FERMACAVO CABLE RETAINER	SERRE CABLE KABELSCHELLE	FIJACABLE
9 97400181	PROTEZIONE SCHEDA SUPERIORE TOP CARD PROTECTION	PROTECTION DE LA CARTE DU DESS OBERSTE KARTENSCHUTZ	PROTECCIÓN SUPERIOR DE LA TARJ
10 97550025	RIVETTO AUTOBLOCCANTE PLAST. CLIP	RIVET AUTOBLOQUANT SELBSTSICHERNDE NIETE	REMACHE AUTOBLOCANTE
11 97400182	PROTEZIONE SCHEDA INFERIORE LOWER BOARD PROTECT.	PROTECTION CARTE INFÉRIEURE UNTERE KARTENSCHUTZ	PROTECCIÓN INFERIOR DE LA TARJ
12 99950001	VITE T.CIL.CROCE ZIGR.SOTT.4X6 SOCKET HEAD SCREW M4X6 A2	VIS TC CRUCIFORME M4X6 A2 KR-SCHLITZSCHRAUBE ZK M4X6 A2	TORNILLO C/CIL CRUZ M4X6 A2
13 51247018	VITE TPS CROCE M4X10 A2 CSK CROSSHEAD SCR M4X10 A2	VIS TF PLATE CRUCIFOR.M4X10 A2 SENKSCHRAUBE M KREUZ. M4X10 A2	TORN C/PLANA AVELL CR M4X10 A2
14	Assieme trasduttore e pressostato Transducer and pressure switch assembly	Ensemble transducteur et pressostat Einheit Geber und Druckwächter	Conjunto transductor y presostato
15 FE2330315	FUSIBILE 5X20 RITARD.3,15 A DELAYED FUSE 5X20 3,15A	FUSIBILE RETARD. 5X20 3,15A TRÄGE SICHERUNG 5X20 3,15 A	FUSIBLE RETRAS. 5X20 3,15A



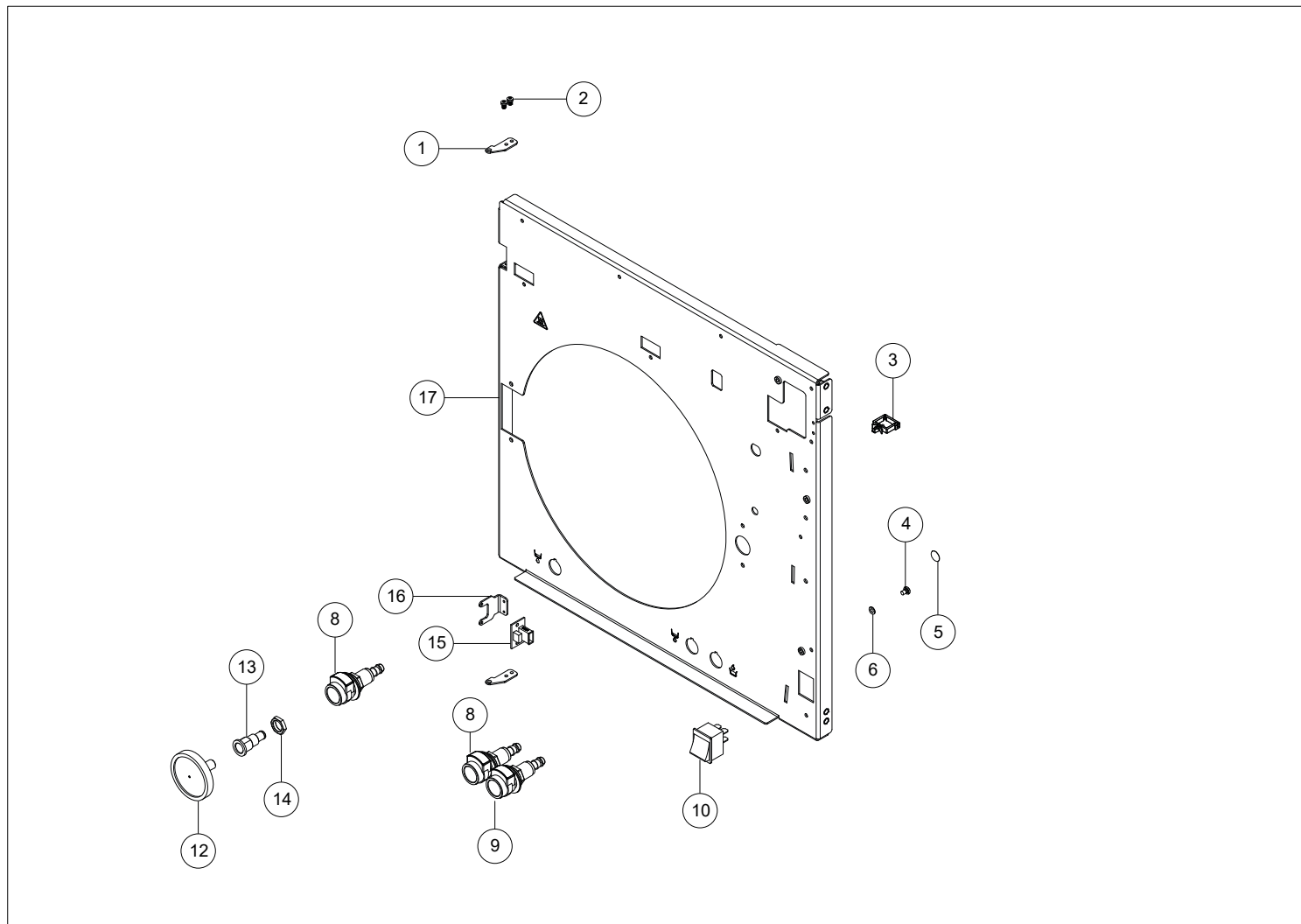
n. Code	Descrizione / Description	Description / Beschreibung	Descripción
1 95509231	TRASDUTTORE + O-RING TRANSDUCER + O-RING	TRANSDUCTEUR + O-RING GEBER + O-RING	TRANSDUCTOR + O-RING
8 95509230	PRESSOSTATO + O-RING PRESSURE SWITCH + O-RING	PRESSOSTAT + O-RING DRUCKWÄCHTER + O-RING	PRESOSTATO + O-RING
9 53113004	ROND ELAS GROWER X M6 M6 GROWER ELAST.WASHER	RONDELLE ELAST.GROWER X M6 M6 GROWER ELAST.SCHEIBE	ARAND ELÁS. GROWER X M6
10 95509232	GR.TRASDUTTORE+PRESSOSTATO TRANSDUCER+PRESSURE SWITCH GR.	GR.TRANSDUCT+PRESSOSTATE GR. GEBER+DRUCKWÄCHTER	GR.TRANSDUCT+PRESOSTATO
11 99924940	GHIERA PER TUBO PTFE 2,7X4MM PTFE 2,7X4MM TUBE FERRULE	BAGUE POUR TUYAU PTFE 2,7X4MM NUTMUT. F. PTFE-SCHL. 2,7X4 MM	CASQ PARA TUBO PTFE 2,7X4MM
12 95509245	COLL. CALDAIA_MPX TUBO TELATO REINF. HOSE MPX_BOILER CONN.	COLL. CHAUD_MPX TUYAU BACHÉ BUND KESSEL_MPX SCHL M. GEWEB.	COL. CALDERA_MPX TUBO DE LIENZ
17 95509238	GR.TUBO PTFE.GROWER.GHIERA RING NUT GROWER PTFE TUBE UNIT	GR. TUYAU PTFE. GROWER BAGUE GR.ROHR PTFE.ERZEUGER.RING	GR. TUBO PTFE. GROWER ANILLO



n. Code	Descrizione / Description	Description / Beschreibung	Descripción
1 51237028	VITE TC CROCE M4X10 4.8 M4X10 8.8 TC CROSS SCREW	VIS TC CROIX M4X10 8.8 M4X10 8.8 TC SCHRAUBE	TORNILLO TC CRUZ M4X10 8.8
2 51242012	VITE TPSEI M6X20 10.9 TPSEI M6X20 10.9 SCREW	VIS TPSEI M6X20 10.9 SCHRAUBE TPSEI M6X20 10.9	TORNILLO TPSEI M6X20 10.9
3 51247018	VITE TPS CROCE M4X10 A2 CSK CROSSHEAD SCR M4X10 A2	VIS TF PLATE CRUCIFOR.M4X10 A2 SENKSCHRAUBE M KREUZ. M4X10 A2	TORN C/PLANA AVELL CR M4X10 A2
4 52210014	DADO M8 ALTO 6S ZINC AUTOBLOCC SELF LOCK.HIGH ZINC NUT M8 6S	ECROU M8 HAUT 6S ZINC AUTOB. VERZ.H.SELBSTSIC.MUTTER M8 6S	TUERCA AUTOB M8 ALTA 6S ZINC
5 52220005	DADO M4 MEDIO 6S M4 6S NUT MEDIUM SIZE	ECROU M4 MOYEN 6S MUTTER M4 6S	DADO M4 MEDIO 6 S
6 53104107	ROND D 6.6X18 S=2 ZINC WASHER D 6.6X18	RONDELLE D 6.6X18 SCHEIBE D 6.6X18	ARAND D 6.6X18
7 97420246	PIEDE FISSO NYLON D40 M8X32 Z NYLON D40 M8X32 Z FIXED FOOT	PIED FIXE NYLON D40 M8X32 Z NYLON D40 M8X32 Z FIXIERT FUSS	PIE FIJO NYLON D40 M8X32 Z
8 97420133	TAPPO1/4 1/4 PP0808W JOHN GUEST PLUG	BOUCHON1/4 PP0808W JOHN GUEST VERSCHL 1/4 PP0808W JOHN GUEST	TAPÓN 1/4 PP0808W JOHN GUEST
9 97550086	CLIP BLOCCA PINZETTA 1/4" 1/4" PINCERS BLOCKING CLIP	CLIP BLOC PINCETTE 1/4" SAFETY CLIP -(THERMOPL.-POLYURE	CLIP BLOQUE PINZA 1/4"
10 95509195	GRUPPO RACC. PASSAPARETE 1/4 1/4 PASS THROUGH JUNCTION GR.	GR.RACC.PASSE-PAROIS 1/4 1/4 WAND ÜBERSCH. VERB. GR.	GR. CONEXION PASA PARED 1/4
11 97560103	DISTANZIALE IN PLASTIC PA66 PA66 PLASTIC SPACER	ENTRET. EN PLASTIQUE PA66 Distanzstück aus Kunststoff PA	DISTANCIAL DE PLASTICO PA66
12 97560151	PASSAPARETE RJ45 CAT5E BULKHEAD RJ45 CAT5E	PASSE PAROIS RJ45 CAT5E SCHOTT RJ45 CAT5E	PASAPARED RJ45 CAT5E
13 97760051	PORTAFUSIBILE 6,3X32 FUSE BOX 6,3X32	PORTE FUSIBLE 6,3X32 6,3X32 SICHERUNGSHALTER	PORTA FUSIBLE 6,3X32
14 97760053	FUSIBILE 6,3X32 T15 A FUSE 6,3X32 T15 A	FUSIBLE 6,3X32 T15 A 6,3X32 T15 A SICHERUNG	FUSIBLE 6,3X32 T15 A

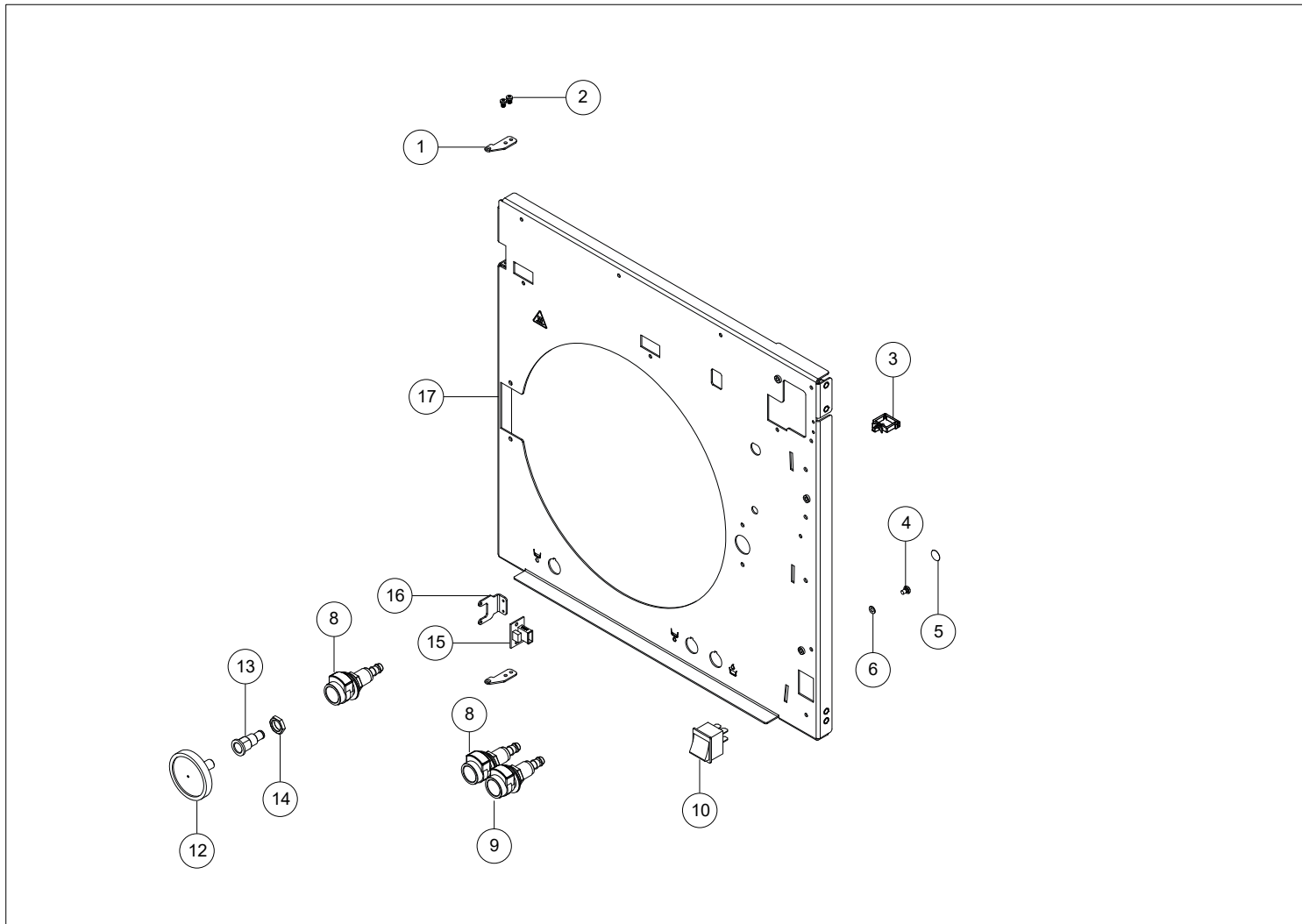


n. Code	Descrizione / Description	Description / Beschreibung	Descripción
15 97940114	VASCHETTA ALIMENTAZ IEC C20 IEC C20 SUPPLY TANK	BAC ALIMENTATION IEC C20 STROMANSCHLUSS IEC C20	CUBETA ALIM IEC C20
16 99950001	VITE T.CIL.CROCE ZIGR.SOTT.4X6 SOCKET HEAD SCREW M4X6 A2	VIS TC CRUCIFORME M4X6 A2 KR-SCHLITZSCHRAUBE ZK M4X6 A2	TORNILLO C/CIL CRUZ M4X6 A2
17 99950002	VITE T.CIL.CROCE ZIGR.SOTT.4X8 CROSSHEAD SCREW M4X8 A2	VIS TC CRUCIFORME M4X8 A2 KR-SCHLITZSCHRAUBE ZK M4X8 A2	TORNILLO C/CIL CRUZ M4X8 A2
18 99950954	TRAVERSA DX RIGHT CROSS BAR	TRAVERSE DROITE RICHTIGE CROSS BAR	BARRA TRANSVERSAL DERECHA
19 99951019	FILTRO ANTIPOLVERE ANTI DUST FILTER	FILTRE ANTI-POUSSIÈRE STAUBSCHUTZFILTER	FILTRO ANTIPOLVO
20 99951064	BOCCOLA AGGANCIO CINGHIA STRAP CONNECTION BUSH	DOUILLE FIXATION COURROIE BUCHSE RIEMENKOPPLUNG	COJINETE FIJACION BANDA
21 99951273	PORTALE PORTALE	PORTALE PORTALE	PORTALE
22 99951279	GUIDA SX FILTRO ANTIPOLVERE DUSTPROOF FILTER LEFT RUNNER	GUIDE GAUCHE FILTRE ANTIPOUS. FÜHRUNG LINKS STAUBSCHUTZFILTE	GUIA IZQ. FILTRO ANTIPOLVO
23 99951280	GUIDA DX FILTRO ANTIPOLVERE DUSTPROOF FILTER RIGHT RUNNER	GUIDE DROIT FILTRE ANTIPOUS. FÜHRUNG RECHTS STAUBSCHUTZFILT	GUIA DER. FILTRO ANTIPOLVO
24 99951406	TRAVERSA SX LH CROSSBAR	TRAVERSE GACHE QUERTRÄGER LI	TRAVESAÑO IZQ.
25 99951409	LAMIERA BASAMENTO BASE SHEET-METAL	TOLE BASE SOCKEL STAHLBLECH	CHAPA BASE
26 95509196	ASSIEME PORTA FUSIBILE FUSE HOLDER ASSEMBLY	GR., BOITE A FUSIBLES ZUSAM.SCHMELZSICH.TRAEGER	KIT PORTA FUSIBLE

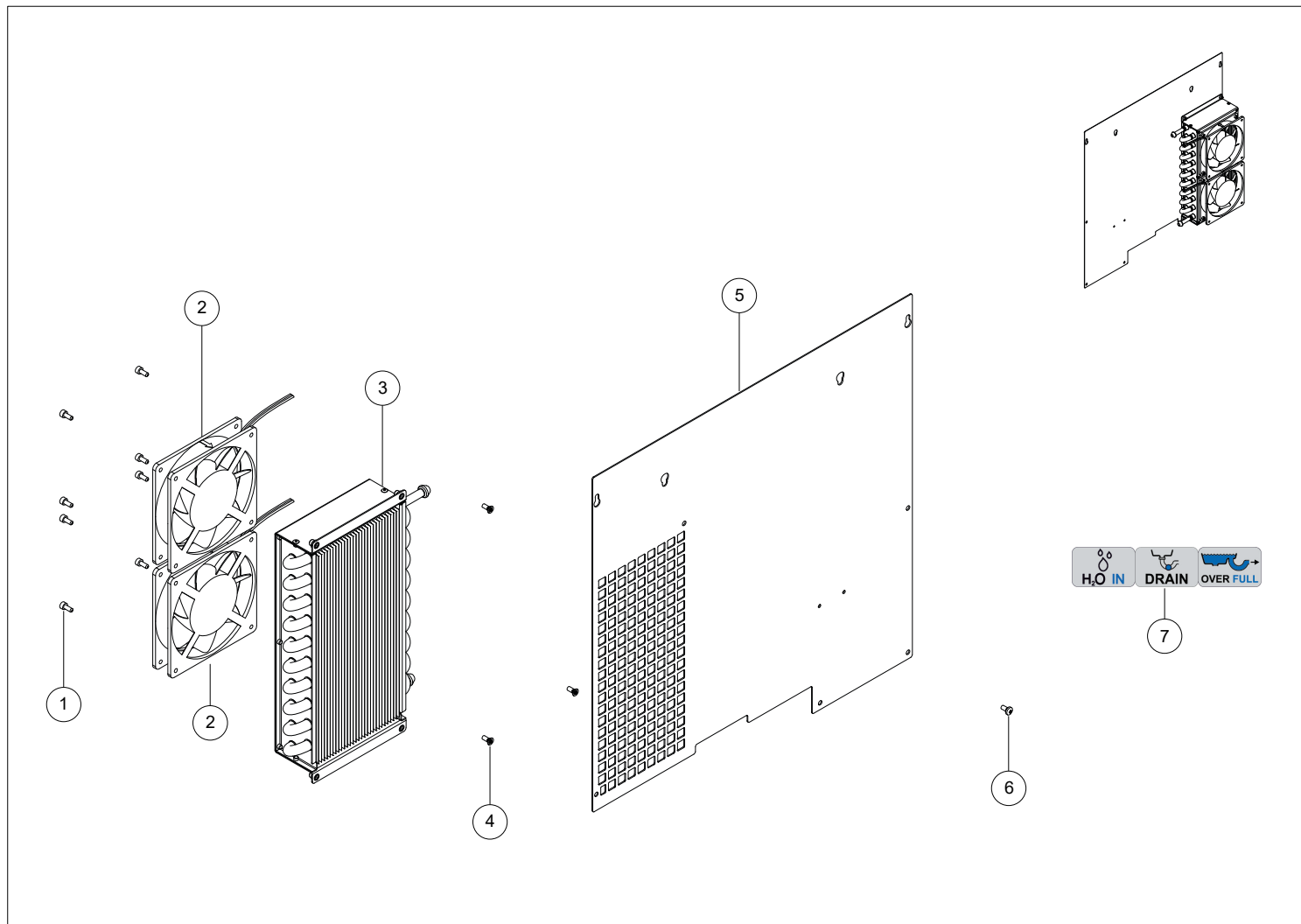


n. Code	Descrizione / Description	Description / Beschreibung	Descripción
1 99951200	STAFFA FULCRO HEAD BRACKET	ÉQUERRE TÊTE ANSCHWENKBÜGEL	SOPORTE FULCRO
2 51237059	VITE TC CROCE M3X5 ZINC.BIANC SCREW TC CROCE M3X5 ZINC.BIANC	VIS TC CROCE M3X5 ZINC.BIANC KREUZKOPFSCHRAUBE M3X5 VERZINK	TORNILLO TC PHILLIPS M3X5 CINC
3 97550103	FERMACAVO CABLE RETAINER	SERRE CABLE KABELSCHELLE	FIJACABLE
4 99950001	VITE T.CIL.CROCE ZIGR.SOTT.4X6 SOCKET HEAD SCREW M4X6 A2	VIS TC CRUCIFORME M4X6 A2 KR-SCHLITZSCHRAUBE ZK M4X6 A2	TORNILLO C/CIL CRUZ M4X6 A2
5 97780158	TARGA MASSA D=10MM FONDO GROUND PLATE D=10MM	PLAQUE MASSE D=10MM SCHILD ERDUNG	PLACA MASA
6 53135028	ROND DENT EST D 4 Z.D.BIANCA INDENT.WASHER EST D 4 Z.D.WHIT	RONDELLE DENTELÉE EXT D 4 G.D. ZAHNSCHEIBE AUSS. D 4 Z.D.WEIS	ARAND. DENT. EXT. D 4 C.D. BLA
8 97560105	RACC.RAP. SCARICO FRONT.GRIGIO GREY FRNT DRAIN QUICK COUPL.	RACC.RAP. ÉVACUAT. FRONT.GRIS SCHNELLAN. FRONT.AUSLASS GRAU	CONEX RÁP DESCARGA FRONT GRIS
9 97560106	RACC.RAP. CARICO FRONT. BLU BLUE FRONT LOAD QUICK COUPLING	RACC.RAP. REMPLISS.FRONT. BLEU SCHN.ANSCHL. FR.EINLASS BLAU	CONEX RÁP CARGA FRONT AZUL
10 97600131	INTERRUTTORE A BASCULA TOGGLE SWITCH	INTERRUPTEUR Á BASCULE KIPPSCHALTER	INTERRUPTOR BASCULANTE
12 97290160	FILTRO BATTERIOLOG 0.2 0.2 BACTERIOLOGICAL FILTER	FILTRE BACTERIOLOG. 0.2 BAKTERIOLOGISCHER FILTER 0.2	FILTRO BACTERIOLOGICO 0.2
13 99950960	RACC FILTRO BATTERIOLOGICO BACTERIOLOGICAL FILTER FITTING	FILTRE BACTÉRIOLOGIQUE RACCORD MONTAGE BAKTERIOLOGISCHE FILTE	FILTRO BACTERIOLÓGICO GUARNICI
14 99950017	RACC DADO FILTRO BATT M14X1 BACT.FILTER NUT FITTING M14X1	RACC. ÉCROU FILTRE BACT.M14X1 ANSCHL. MUTTER BAKT.FIL M14X1	UNION TUERCA FILTRO BACT M14X1
15 97668134	SCHEDA USB USB BOARD	CARTE USB USB-KARTE	TARJETA USB
16 99950956	STAFFA USB USB BRACKET	SUPPORT DE L'USB USB-KLAMMER	SOPORTE USB

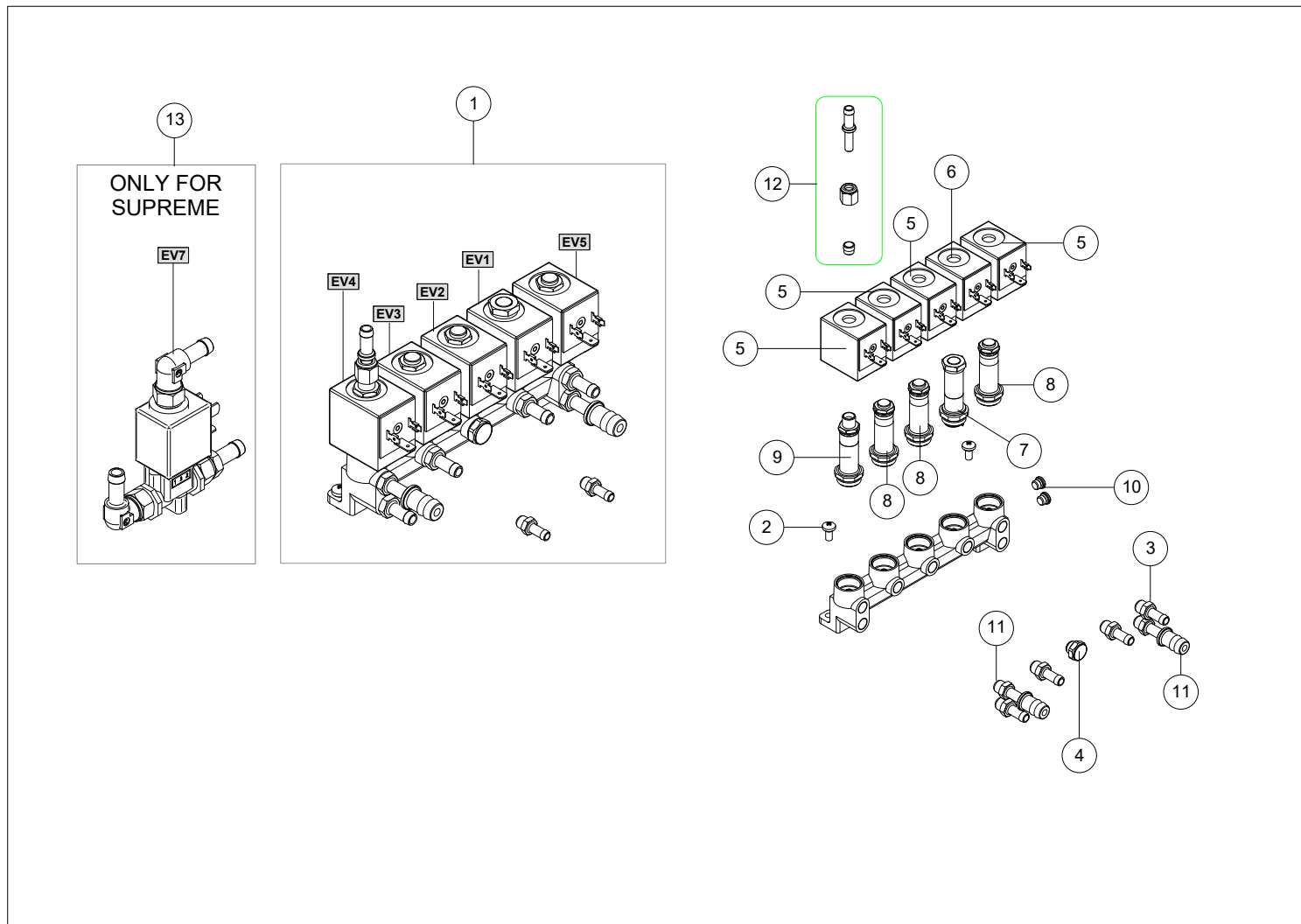




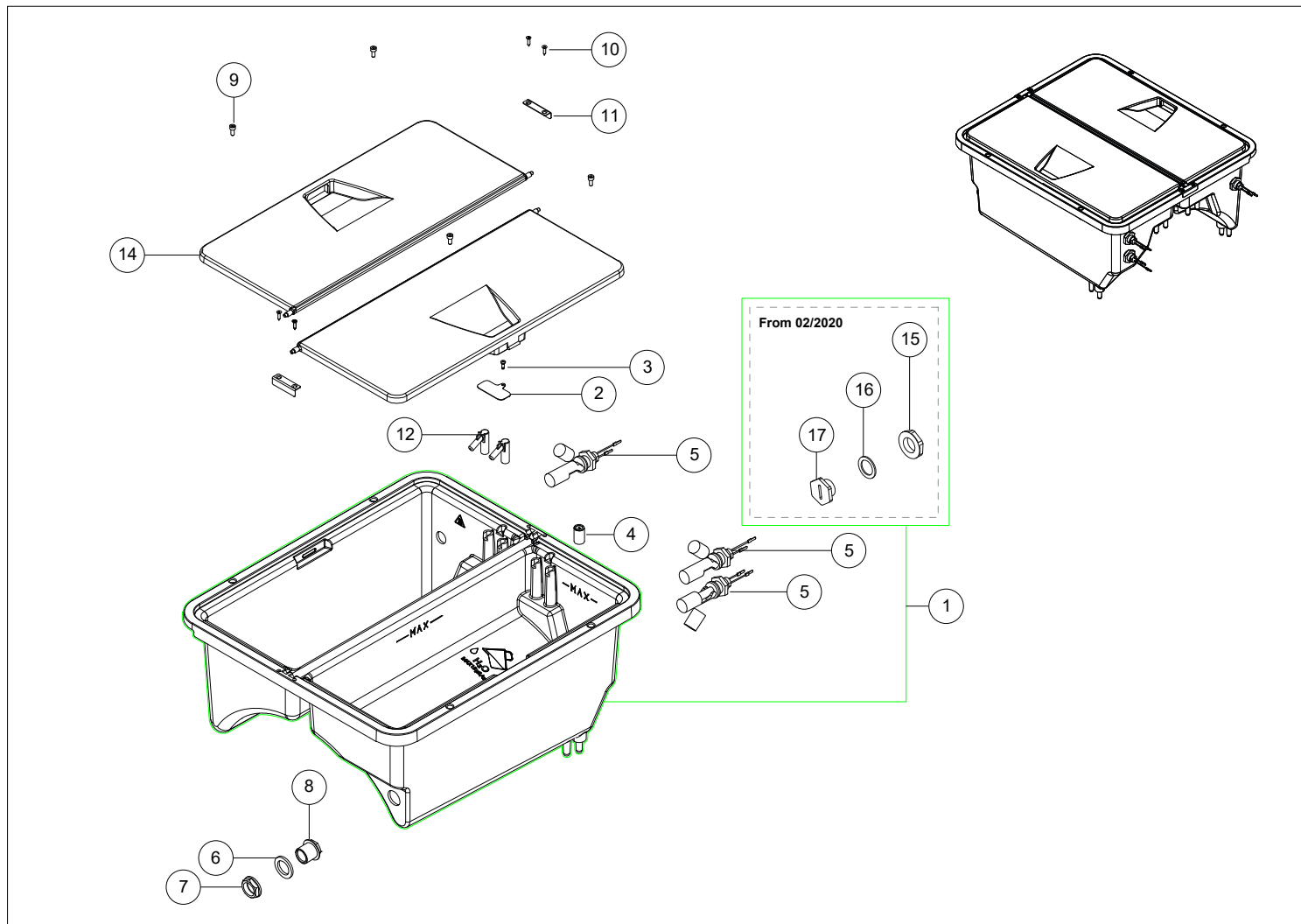
n. Code	Descrizione / Description	Description / Beschreibung	Descripción
17 99951745	PANNELLO FRONT. 17-22L 17-22L FRONT PANEL	PANNEAU FRONT. 17-22L FRONTPLATTE 17-22L	PANEL DELANT. 17-22L



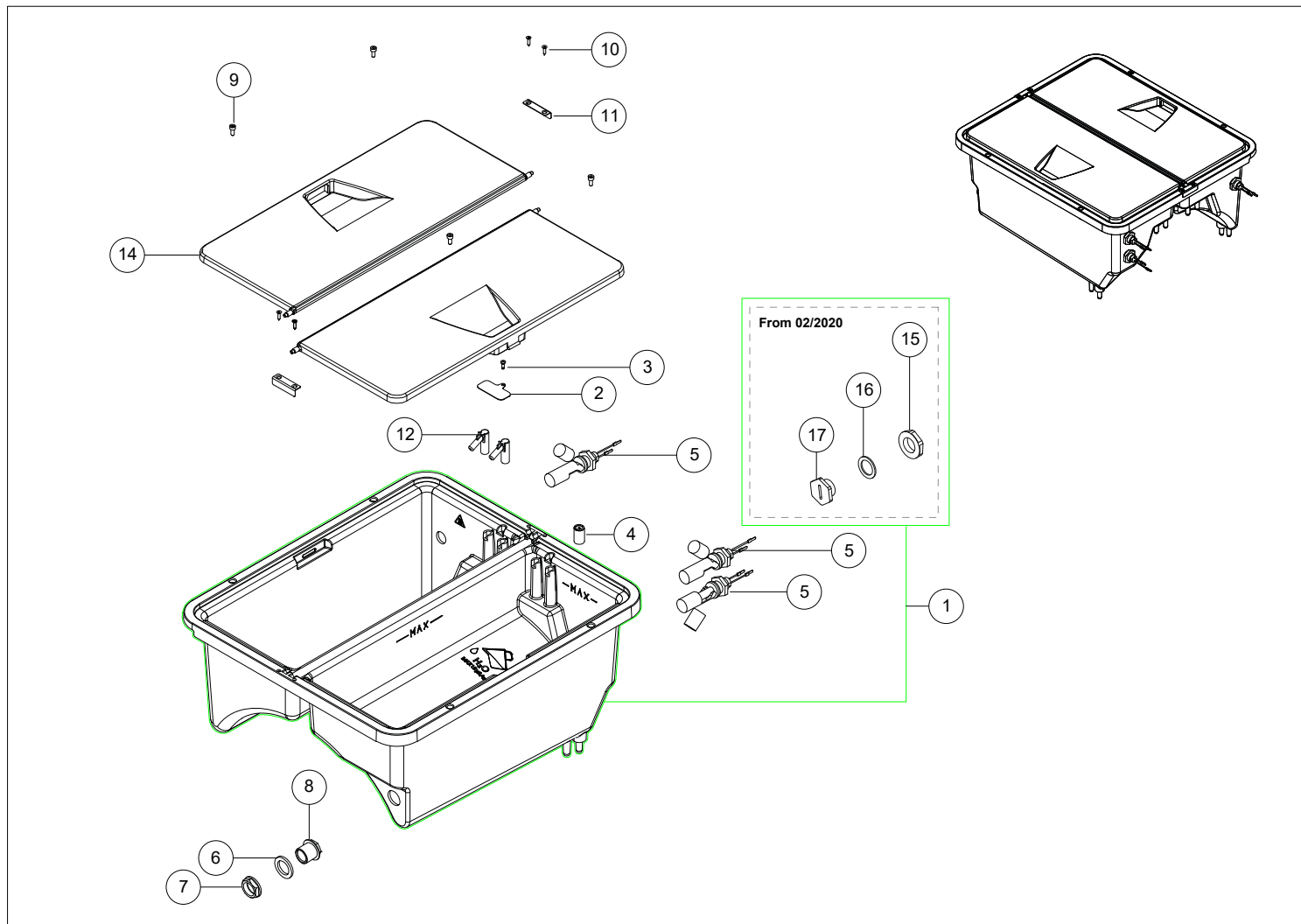
n. Code	Descrizione / Description	Description / Beschreibung	Descripción
1 51232039	VITE TCEI M4X10 SCREW TCEI M4X10	VIS TCEI M4X10 SCHRAUBE TCEI M4X10	TORNILLO TCEI M4 X 10
2 97250036	VENTILATORE 120X120X25 24V 120X120X25 24V FAN	VENTILATEUR 120X120X25 24V VENTILATOR 120X120X25 24V	VENTILADOR 120X120X25 24V
3 99951457	SCAMBIATORE DI CALORE HEAT EXCHANGER	ECHANGEUR DE CHALEUR WÄRMETAUSCHER	INTERCAMBIADOR DE CALOR
4 51247018	VITE TPS GROCE M4X10 A2 CSK CROSSHEAD SCR M4X10 A2	VIS TF PLATE CRUCIFOR.M4X10 A2 SENKSCHRAUBE M KREUZ. M4X10 A2	TORN C/PLANA AVELL CR M4X10 A2
5 99951407	CARTER POSTERIORE REAR CARTER	CARTER POSTERIEUR HINTERE ABDECKUNG	CARTER POSTERIOR
6 99950002	VITE T.CIL.CROCE ZIGR.SOTT.4X8 CROSSHEAD SCREW M4X8 A2	VIS TC CRUCIFORME M4X8 A2 KR-SCHLITZSCHRAUBE ZK M4X8 A2	TORNILLO C/CIL CRUZ M4X8 A2
7 97782065	ETICHETTA H2OIN/DRAIN/OVERFULL H2O IN / DRAIN LABEL	ETIQUETTE H2O ENTREE/DRAINAGE ETIKETT H2O E/DRAIN.	ETIQUETA H2O INGRESO/DRENAJE



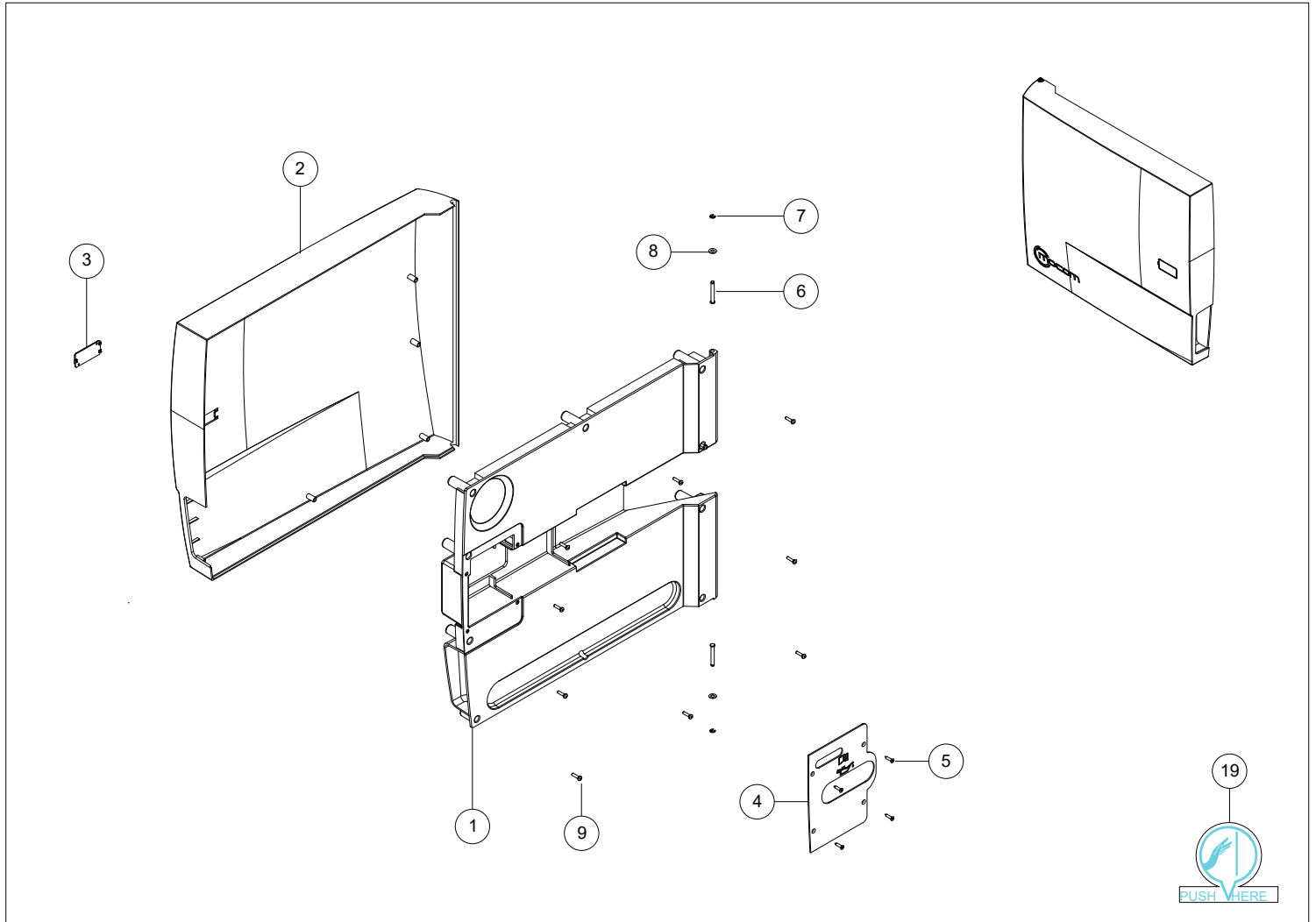
n. Code	Descrizione / Description	Description / Beschreibung	Descripción
1 95509218	ASSIEME MANIFOLD MANIFOLD ASSEMBLY	MANIFOLD CAMOZZI CAMOZZI MANIFOLD	MANIFOLD CAMOZZI
2 99950003	VITE T.CIL.CROCE ZIGR.SOT.5X10 CROSSHEAD SCREW M5X10 A2	VIS TC CRUCIFORME M5X10 A2 KR-SCHLITZSCHRAUBE ZK M5X10 A2	TORNILLO C/CIL CRUZ M5X10 A2
3 99950948	RACC. P.GOMMA DIR M G1/8 D7,9 M G1/8 D7.9 STR HOSE CONNECTR	RACC.P.-TUYAU DR.M G1/8 D7,9 GER. SCHL.ANSCHL. M G1/8 D7,9	CONEX PORTAG RECT M G1/8 D7,9
4 97986300	RACCORDO FILTRO FILTER FITTING	RACCORD FILTRE FILTER-MONTAGE	GUARNICIÓN FILTRO
5 97720214	BOBINA SOLENOID	BOBINE SPULE	BOBINA
6 97720213	BOBINA PER NA COIL FOR NA (NORMALLY OPEN)	BOBINE POUR NA (OUVRIR NORMALE SPULE FÜR NA (SCHLIESSER)	BOBINA PARA NA (NORMALMENTE AB
7 97720215	PORTAC+CURSORE EV1 HOLDER + EV1 CURSOR	PORTE CURSEUR + EV1 CURSEUR HALTER + EV1 CURSOR	PUERTA CURSOR + EV1 CURSOR
8 97720216	PORTAC+CURSORE EV2-EV3-EV5 HOLDER + CURSOR EV2-EV3-EV5	PORTE + CURSEUR EV2-EV3-EV5 HALTER + CURSOR EV2-EV3-EV5	PUERTA CURSOR + CURSOR EV2-EV3
9 97720217	PORTAC+CURSORE 3 VIE EV4 HOLDER + 3-WAY CURSOR EV4	PORTE + 3 VOIES CURSEUR EV4 HALTER + 3-WEGE-CURSOR EV4	PUERTA CURSOR + 3 VÍAS CURSOR
10 97420143	TAPPO MANIFOLD MANIFOLD PLUG	BOUCHON COLLECTEUR VERTEILERVERSCHLUSS	TAPÓN COLECTOR
11 97960088	RACCORDO MANDATA / RITORNO DELIVERY / RETURN CONNECTOR	RACCORD ALLER / RETOUR VORLAUF-/RÜCKLAUFANSCHLUSS	CONEXION IDA / VUELTA
12 97987800	RACCORDO A OGIVA OGIVE FITTING	RACCORD À OLIVE WIDERHAKENANSCHLUSS	UNIÓN DE COMPRESIÓN
13 95530868	ASS ELETTROVALVOLA SERBATOI TANKS SOLENOID VALVE GR.	ENS.ELECTROVANNE RESERVOIR TANKMAGNETVENTIL GR.	GR.ELECTROVALV. DEPOSITO



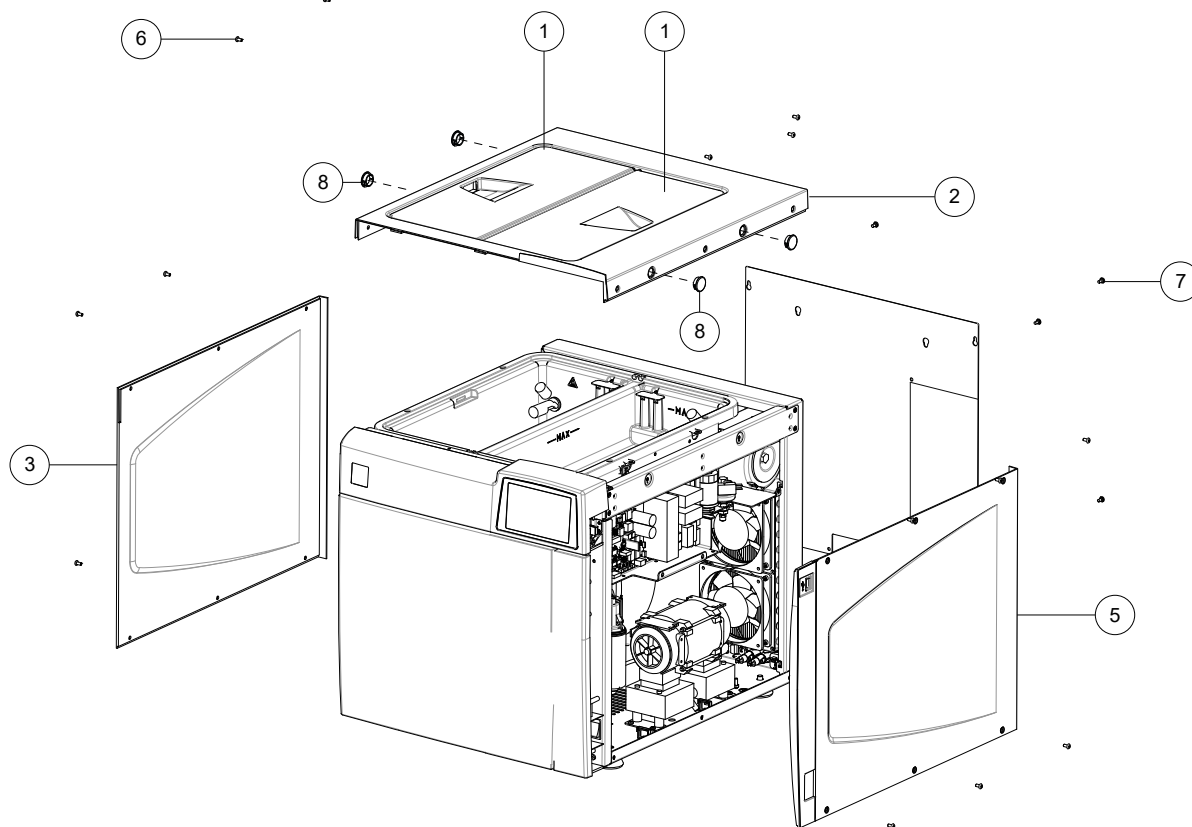
n. Code	Descrizione / Description	Description / Beschreibung	Descripción
1 95509224	SERBATOIO CON TAPPO TANK WITH CAP	RESERVOIR AVEC BOUCHON BEHÄLTER MIT VERSCHLUSS	DEPOSITO CON TAPA
2 99950995	PARASPRUZZI SPLASH GUARD	PARE-ÉCLABOUSSURES SPRITZSCHUTZ	PROTECCIÓN CONTRA SALPICADURAS
3 51467001	VITE AUT T/BOMB 3X8 A2 SCREW FOR PLAST.MAT. TCCR/Z UN	VIS FOR PLAST.MAT. TCCR/Z UN SELBSTS. LINSENKOPFSCHRAUBE 3X	TORNILLO AUT C/ABOMB. 3X8 A2
4 97290210	FILTRO ASS SERBATOIO TANK WATER FILTER	FILTRE EAU RÉSERVOIR FILTER FÜR WASSER BEHÄLTER	FILTRO AGUA DEPÓSITO
5 97662424	SENSORE DI LIVELLO LEVEL SENSOR	CAPTEUR DE NIVEAU STANDSENSOR	CAPTADOR DE NIVEL
6 99951014	DADO PVC 1/2" DADO PVC 1/2"	DADO PVC 1/2" DADO PVC 1/2"	DADO PVC 1/2"
7 97400179	GUARNIZIONE D30X20X3 EPDM D30X20X3 EPDM GASKET	GARNIT. D30X20X3 EPDM DICHTUNG D30X20X3 EPDM	FORRO D30X20X3 EPDM
8 97420135	TAPPO PFV012 FIG. A (FIP) TAPPO PFV012 FIG. A (FIP)	TAPPO PFV012 FIG. A (FIP) TAPPO PFV012 FIG. A (FIP)	TAPPO PFV012 FIG. A (FIP)
9 51232039	VITE TCEI M4X10 SCREW TCEI M4X10	VIS TCEI M4X10 SCHRAUBE TCEI M4X10	TORNILLO TCEI M4 X 10
10 51447093	VITE AUT TPS CRO 3X12 CSK CR.HD TAPPING SCR 3X12	VIS AUTOT. TF PLATE CHR. 3X12 SENKSCHNEIDSCHRAUBE KREUZ 3X12	TORN AUT C/PLANA AVELL CR 3X12
11 99951056	STAFFA SPORTELLO SERBATOIO TANK DOOR BRACKET	BRIDE PORTE RÉSERVOIR KLAPPENBÜGEL BEHÄLTER	SOPORTE PUERTA DEPÓSITO
12 97467330	RACCORDO SERBATOIO RACCORDO SERBATOIO	RACCORDO SERBATOIO RACCORDO SERBATOIO	RACCORDO SERBATOIO
14 95530418	ASS COPERCHIO SERBATOIO TANK COVER ASSEMBLY	ENS.COUPER.RESERVOIR TANKABDECKUNG GR.	GR. TAPA DEPOSITO
15 97420041	GHIERA PG9 GRIGIA PG9 GRAY RING	EMBOUT PG9 GRIS MUTTER PG9 GRIGIA	VIROLA PG9 GRIS



n. Code	Descrizione / Description	Description / Beschreibung	Descripción
16 97388500	GUARNIZIONE 20X13,9X1,2 20X13,9X1,2 GASKET	JIONT 20X13X1,2 DICHTUNG 20X13,9X1,2	JUNTA 20X13X1,2
17 97420236	TAPPO PG9 PG9 CAP	BOUCHON PG9 VERSCHLUSS PG9	TAPA PG9



n. Code	Descrizione / Description	Description / Beschreibung	Descripción
1 97467126	CONTROSPORTELLLO INTERNAL DOOR	CONTRE PORTE GEGEN TÜR	CONTRA-PUERTA
2 97467144	SPORTELLLO MOCOM MOCOM DOOR	MOCOM PORTE MOCOM TÜR	MOCOM PUERTA
3 97467124	TAPPO MOCOM MOCOM PLUG	BOUCHON MOCOM VERSCHL. MOCOM	TAPÓN MOCOM
4 99951479	LAMIERA COPERTURA COVER PLATE	TOLE COUVERTURE ABDECK.SBLECH	CHAPA COBERTURA
5 51447093	VITE AUT TPS CRO 3X12 CSK CR.HD TAPPING SCR 3X12	VIS AUTOT. TF PLATE CHR. 3X12 SENKSCHEIDSCHRAUBE KREUZ 3X12	TORN AUT C/PLANA AVELL CR 3X12
6 99951201	PERNO SPORTELLLO DOOR PIN	PIVOT PORTE BOLZEN FÜR KLAPPE	PERNO PUERTA
7 55103002	ANELLO BENZIG RS3.2 BENZIG RS3.2 RING	BAGUE BENZIG RS3.2 RING BENZIG RS 3.2	ANILLO BENZING RS3.2
8 53107004	ROND D=4,3X9 S=0,8 NYLON WASHER D=4,3X9 S=0,8 NYLON	RONDELLE D=4,3X9 S=0,8 NYLON UNTERLEGS. D=4,3X9 S=0,8 NYLON	ARAND. D=4,3X9 S=0,8 NYLON
9 51467003	VITE AUT T/BOMB 3X12 A2 ROUND HEAD TAPPING SCR 3X12 A2	VIS AUTOT. TÊTE BOMBÉE 3X12 A2 LINSENKSCHEIDSCHRAUBE 3X12 A2	TORN AUT C/ABOMB 3X12 A2
19 97783239			



n. Code	Descrizione / Description	Description / Beschreibung	Descripción
1 95530418	ASS COPERCHIO SERBATOIO TANK COVER ASSEMBLY	ENS.COUPER.RESERVOIR TANKABDECKUNG GR.	GR. TAPA DEPOSITO
2 97467136	COPERTURA SUPERIORE TOP COVER	CARTER SUPÉRIEUR OBERE ABDECKUNG	COBERTURA SUPERIOR
3 97467135	COPERTURA LATERALE SX LH SIDE COVER	CARTER LATÉRAL GAUCHE SEITLICHE ABDECKUNG LINKS	COBERTURA LATERAL IZDA
5 97467134	COPERTURA LATERALE DX RIGHT SIDE COVER	CARTER LATÉRAL DROIT ABDECKUNG RECHTS SEITLICH	CUBIERTA LATERAL DERECHA
6 51262010	VITE T/BOMB EI M4X8 10.9 T/BOMB SCREW EI M4X8 10.9	VIS T/BOMB EI M4X8 10.9 SCHRAUBE T/BOMB EI M4X8 10.9	TORNILLO T/BOMB EI M4X8 10.9
7 99950002	VITE T.CIL.CROCE ZIGR.SOTT.4X8 CROSSHEAD SCREW M4X8 A2	VIS TC CRUCIFORME M4X8 A2 KR-SCHLITZSCHRAUBE ZK M4X8 A2	TORNILLO C/CIL CRUZ M4X8 A2
8 97460388	TAPPO CIL D 14 BIANCO LUC GLOSS WHITE PLUG - D=14 MM	BOUCHON BLANC BRILLANT - D = 1 VERSCHLUSS WEISS GLÄNZEND - D	TAPÓN BLANCO BRILLANTE - D=14





n. Code	Descrizione / Description	Description / Beschreibung	Descripción
1 99951318	VASSOIO ALLUMINIO 22 LT 22LT ALUMIN. TRAY	PLATEAU ALUMINIUM 22 L TABLETT AUS ALUMINIUM 22 L	BANDEJA ALUMINIO 22 L
2 99950317	PORTATRAYS 22 LT TRAY HOLDER 22 LT	PORTE-PLATEAUX 22 LT TRAYHALTER 22 LT	PORTABANDEJAS 22LT
4 97340129	TUBO SILICONE 6X10 SILICONE PIPE 6 X 10	TUYAU SILICONE 6X10 SILIKONROHR 6X10	TUBO SILICONA 6X10
5 97550099	INNESTO PIPU80-PG8 PIPU80-PG8 PLUG-IN	JOINT PIPU80-PG8 GRAFT PIPU80-PG8	CONEXION PIPU80-PG8
6 97467066	ESTRATTORE VASSOI TRAYS EJECTOR	EJECTEUR PLATEAU ENTNAHMEVORRICHTUNG TRAYS	EXTRACTOR BANDEJA
7 58008036	CHIAVE BRUGOLA S5 S5 HEX WRENCH	CLE MALES S5 INBUSSCHLÜSSEL S5	LLAVE 5S
17 97668162	USB PEN 2.0 8GB USB PEN 4GB	CLÉ USB 2.0 8GB USB-STICK 2.0 8GB	MEMORIA USB 2.0 8 GB
18 99950314	VASSOIO IN FILO 22 LT WIRE TRAY TYPE 22L	PLATEAU EN FIL TYPE 22L DRAHTTABLETT TYPE 22L	BANDEJA ALAMBRE TYPE 22L
20 99951363	MENSOLA PORTATRAY 22/28L 22/28L TRAY HOLDER SHELF	ETAGERE PORTETRAY 22/28L BRETT TRAYTABLETT 22/28L	ESTANTE PORTATRAY 22/28L
21 99950394	PORTABUSTE SLEEVES HOLDER	PORTE-SACS BEUTELHALTER	PORTA-BOLSOS
23 95530404	ASS IMBALLO PACKAGING ASSY	ENS EMBALLAGE EINH. VERPACKUNG	CONJ. EMBALAJE
25 97920807	SCATOLA ACCESSORI (550X270X40) ACCESSORY BOX (550X270X40)	BOITE ACCESS. (550X270X40) ZUBEHOERKASTEN (550X270X40)	CAJA ACCES. (550X270X40)
26 97526185	CAVO ALIM 3X1,5 C19-SCHUKO C19-SCHUKO CHARGER CABLE 3X1,5	CABLE ALIM.3X1,5 C19-SCHUKO VERSORG.KABEL 3X1,5 C19-SCHUKO	CABLE ALIM.3X1,5 C19-SCHUKO
27 97526202	CAVO ALIM3X1,5 C19-BS1363UK C19-BS1363UK CHARG CABLE 3X1,5	CABLE ALIM.3X1,5 C19-BS1363UK VERSORGUNGSKABEL 3X1,5 C19-BS1	CABLE ALIM.3X1,5 C19-BS1363UK



n. Code	Descrizione / Description	Description / Beschreibung	Descripción
28 97526215	CAVO ALIM SJTW 3XAWG14 C19-NEM SJTW 3XAWG14 C19-NEM CHAR CABL	CABLE ALIM.SJTW 3XAWG14 C19NEM VERSORGUNGSKABEL SJTW 3XAWG14	CABLE ALIM.SJTW 3XAWG14 C19NEM
30 97850038	TUBETTO GRASSO NILEX EP1 50GR NILEX EP1 50GR GREASE TUBE	TUYAU GRAISSE NILEX EP1 50GR SCHMIERETUBE NILEX WP1 50GR	TUBO GRASA NILEX EP1 50GR



1



4



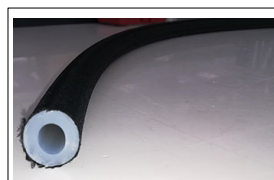
2



5



3



8

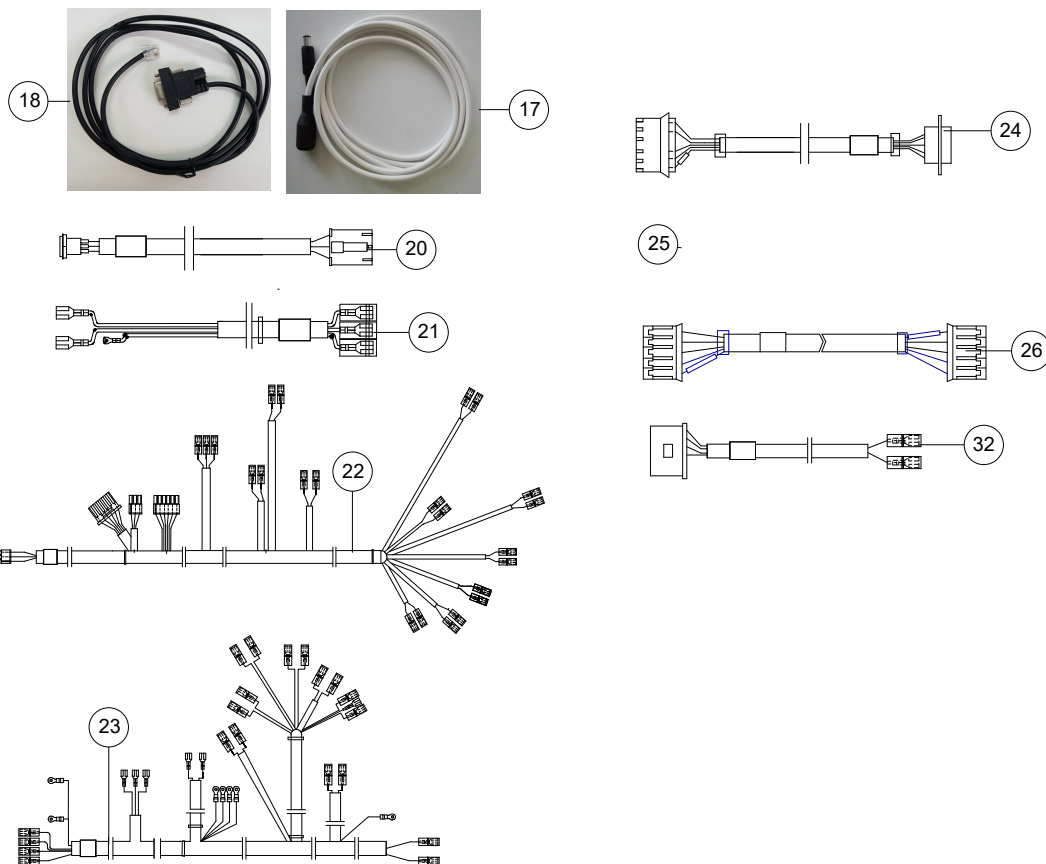


6



9

n. Code	Descrizione / Description	Description / Beschreibung	Descripción
1 97340142	TUBO 4X2.5 FEP 140 Teflon pipe FEP 140 4x2.5 mm.	Teflon pipe FEP 140 4x2.5 mm. Teflon pipe FEP 140 4x2.5 mm.	Teflon pipe FEP 140 4x2.5 mm.
2 97340129	TUBO SILICONE 6X10 SILICONE PIPE 6 X 10	TUYAU SILICONE 6X10 SILIKONROHR 6X10	TUBO SILICONA 6X10
3 97340131	TUBO SILICONE D=6X12 CALZ NERO SILICONE PIPE 6X12	TUYAU SILICONE 6X12 SILIKONROHR 6X12	TUBO SILICONA 6X12
4 97340232	TUBO POLIURETANO 6X8 GRIGIO POLYURETHAN 6X8 GREY TUBE	TUYAU POLYURETHANE 6X8 GRIS POLYURETHAN-SCHLAUCH 6X8 GRAU	TUBO POLIURETANO 6X8 GRIS
5 97340141	TUBO SILIC 6X13 GRIGIO-NERO SILIC.TUBE 6X12 GREY-BLACK	TUYAU SILIC. 6X12 GRIS-NOIR SILIKONSCHL. 6X12 GRAU-SCHWARZ	TUBO SILIC 6X12 GRIS-NEGRO
6 97150006	FASCETTA CLIC 66-120 CLIC STRIP 66-120	BANDE CLIC 66-120 BAND CLIC 66-120	ABRAZADERA CLIC 66-120
8 97340224	TUBO SILICONE 10X20 TRECCIATO BRAIDED 10X20 SILICON TUBE	TUYAU SILICONE 10X20 TRESSE SILIKONSCHLAUCH 10X20 VERDRILL	TUBO SILICONA 10X20 TRENZADO
9 97815296	MOLLA BIFILARE BIFM202059 BIFM202059 TWO WIRE SPRING	RESSORT BIFILAIRE BIFM202059 ZWEIFÄDIGE FEDER BIFM202059	MUELLE BIFILAR BIFM202059



n. Code	Descrizione / Description	Description / Beschreibung	Descripción
17 97526232	PROLUNGA POMPA DI CARICO LOADING PUMP EXTENSION	RALLONGE POMPE DE CHARGEMENT LADEN VERLAENGERUNGSPUMPE	EXTEN.BOMBA DE CARGA
18 97526245	CABL. AUTOCLAVE-STAMPANTE STD STD PRINTER-AUTOCLAVE CABLE	CABLE AUTOCLAVE-IMPRIMANTE STD AUTOKLAVEN/DRUCKER STD. KABEL	CABLE AUTOCLAVE-IMPRESORA STD
20 97526188	CABLAGGIO SISTEMI DI CARICO CHARGING SYSTEM WIRING	CABL. SIST. DE CHARG. VERKABELUNG BEFÜLLUNGSSYSTEME	CABL. SISTEMA DE DESCARGA
21 97526186	CABLAGGIO FUSIBILI FUSES WIRING	CABL. FUSIBLE VERKABELUNG SICHERUNGEN	CABL. FUSIBLES
22 97526187	CABLAGGIO BASSA TENSIONE LOW VOLT.WIRING	CABL. BAISSSE TENSION VERKABELUNG NIEDERSpannung	CABL. BAJA TENSION
32 97526286	IMP. EL. MICROSWITCH DOOR MICROSWITCH DOOR EL. SYS.	IMP. EL. MICROSWITCH PORTE#N/D ELEKTR. ANL. TÜRMIKROSCHALTER	IMP.EL.MICROSWITCH PUERTA#N/D
23 97526193	CABLAGGIO ALIMENTAZIONE POWER SUPPLY WIRING	CABL. ALIMENTATION VERSORGUNGSVERKABELUNG	CABL. ALIMENTACION
24 97526190	CABLAGGIO PORTA SERIALE SERIAL PORT CABLE	CÂBLE DE PORT SÉRIE SERIELLE KABEL	CABLE DE PUERTO SERIAL
26 97526184	CABLAGGIO USB USB WIRING	CABLAGE USB USB-VERKABELUNG	CABL. USB
25 97526192	CAVO STP SCH X RETI CAT.5E 8PO CAT.5E 8PO NET BOARD STP CABLE	CÂBLE STP BLIN. P/RÉSEAUX CAT. KABEL STP NETZWERKPLAT. KAT.5E	CABLE STP TARJ. PARA REDES CAT